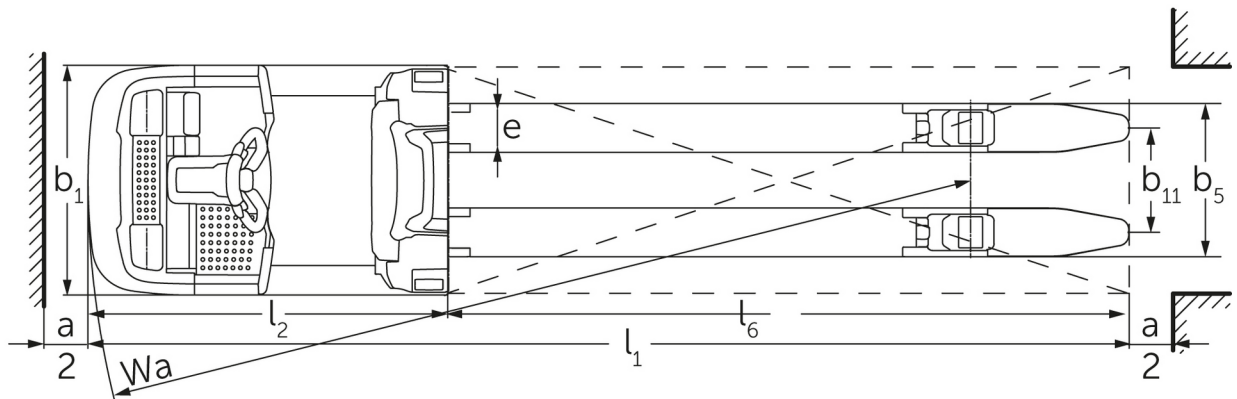
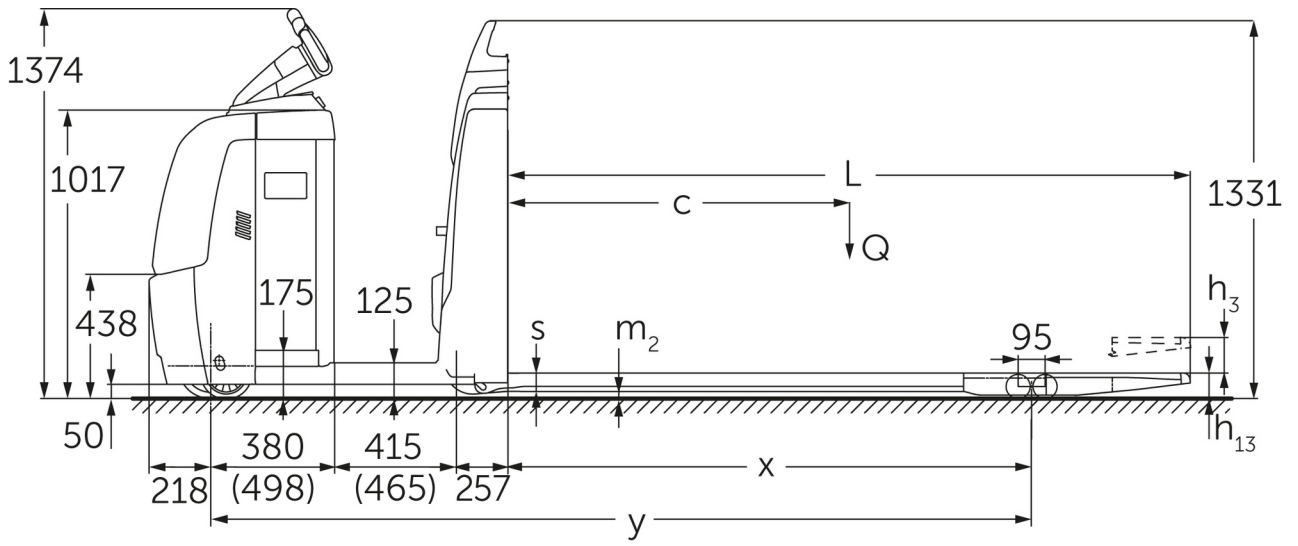




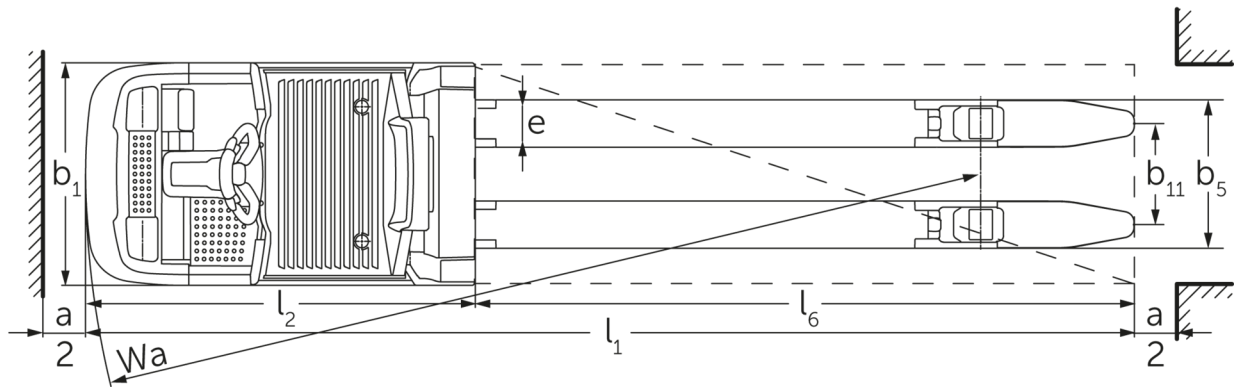
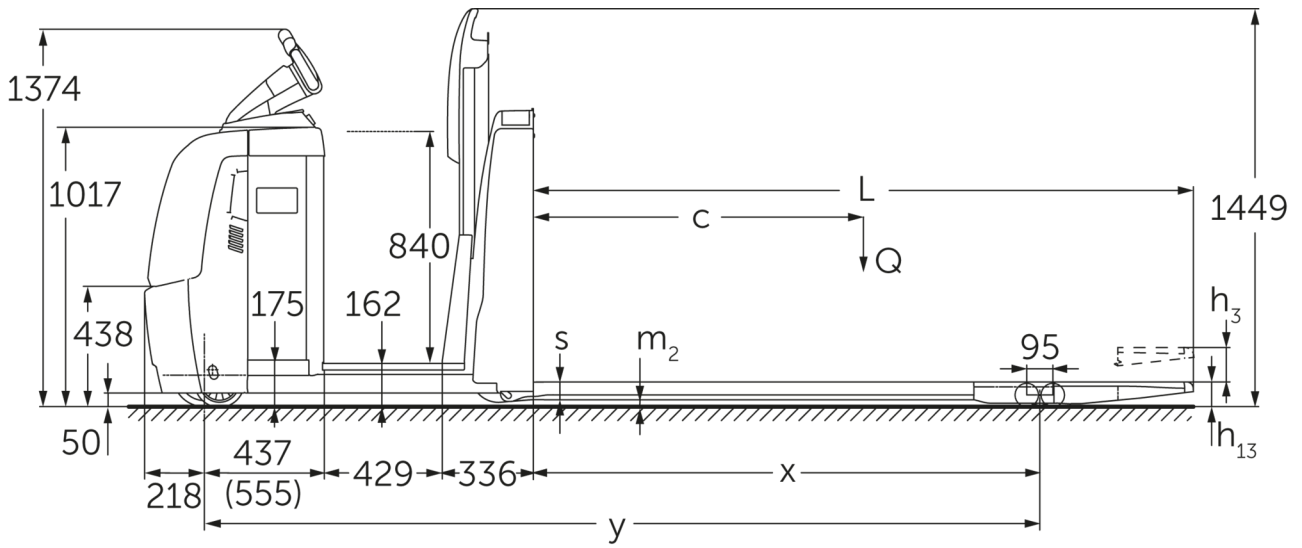
Low level order pickers **ECE 225 / 227 (AU)**

Lift height: 125 mm / Load capacity: 2500-2700 kg

ECE 225 / 227 (AU)



ECE 225 / 227 (AU)



VDI table

Stand-on: 01/2025

Characteristic	1.1	Manufacturer (abbreviated description)		Jungheinrich		
	1.2	Manufacturer's type designation		ECE 225		
	1.3	Drive		Electric		
	1.4	Operation		Order pickers		
	1.5	Load capacity/load	Q kg	2500	2700	
	1.6	Load centre distance	c mm	1200		
	1.8	Load distance, centre of drive axle to fork	x mm	1518		
	1.9	Wheelbase	y mm	2570	2720	2570
	Weights	2.1.1	Service weight (incl. battery)	kg	975	1110
2.2		Axle load laden front/rear	kg	1130 / 2345	1135 / 2475	1130 / 2345
2.3		Axle load unladen front/rear	kg	763 / 212	847 / 263	763 / 212
Wheels/suspension system	3.1	Tyres		Polyurethane (PU)		
	3.2	Tyre size, front		Ø 230 x 78		
	3.3	Tyre size, rear		Ø 85 x 85		
	3.4	Additional wheels		Ø 180 x 65		
	3.5	Wheels, number front/back (x=driven)		1+1x/4		
	3.6	Tread width, front	b10 mm	481		
	3.7	Tread width, rear	b11 mm	338		
	3.7.1	2. Tread width, rear	mm	368		
	3.7.2	3. Tread width, rear	mm	498		
Basic dimensions	4.4	Lift (h3)	h3 mm	125		
	4.9	Height of tiller handle in drive position min./max.	h14 mm	1374 / 1418		
	4.14	Stand height, elevated	h12 mm	-	1002	-
	4.15	Height, lowered	h13 mm	90		
	4.19	total length	l1 mm	3670	3820	3670
	4.20	Length including fork shank	l2 mm	1270	1420	1270
	4.21.1	total width	b1 mm	810		
	4.22	Fork dimensions	s/ e/l mm	60 x 172 x 2400		
	4.25	Width across forks	b5 mm	510		
	4.32	Ground clearance centre of wheelbase	m2 mm	25		
	4.34.2	Aisle width (pallet 800x1200 length)	Ast mm	3870	4020	3870
	4.35	Turning radius	Wa mm	2788	2938	2788
	Performance data	5.1	Travel speed laden/unladen (Efficiency drivePLUS)	km/h	9.2 / 12.5 9.2 / 14	
5.2		Lift speed laden/unladen	m/s	0.07 / 0.1		
5.3		Lowering speed laden/unladen	m/s	0.07 / 0.06		
5.8		Max. gradeability laden/unladen (Efficiency drivePLUS)	%	6 / 15 6 / 15		
5.10		Service brake		generative		
E-motor/Electronics	6.1	Drive motor, performance S2 60 min (Efficiency drivePLUS)	kW	2.8 3.2		
	6.2	Lift motor, performance with S3	kW	1.5		
	6.4	Battery voltage/nominal capacity	V / Ah	24 / 465		
	6.5	Battery weight	kg	370		
	6.6.1	Energy consumption according to EN cycle (Efficiency PLUS)	kWh/h	0.41 0.47		
	6.6.2	CO2 equivalent as per EN 16796 (Efficiency PLUS)	kg/h	0.2 0.3		
	6.7	Throughput (Efficiency PLUS)	t/h	170 180		
	6.8.1	Energy consumption with max. throughput (Efficiency PLUS)	kWh/h	1.38 1.41	1.39 1.47	1.38 1.41
Other	8.1	Type of drive control		AC		

10.5	Steering version		electric
10.7	Sound level as per EN12053, operator's ear	dB (A)	62
<p>- This data sheet according to VDI guideline 2198 only states the technical values of the standard truck. Different tyres, other masts, additional equipment etc. may result in different values.</p>			

Efficiency: Values of standard package | PLUS: Values of performance package

The values in the table apply to the L battery compartment, drivePLUS performance package, fork length 2,400 mm, raised load section.

- VDI no. 1.8: with lowered load section: $x + 82$ mm.

- VDI no. 1.9: with XL or XL (ERE) battery compartment: $y + 118$ mm; with extended stand-on platform: $y + 50$ mm; with lowered load section: $x + 82$ mm.

- VDI no. 4.14: ECE HP: h12 see diagram, dimension 840 mm + 162 mm = $1,002$ mm.

- VDI no. 4.19: with XL or XL (ERE) battery compartment: $l1 + 118$ mm; with extended stand-on platform: $l1 + 50$ mm.

- VDI no. 4.20: with XL or XL (ERE) battery compartment: $l2 + 118$ mm; with extended stand-on platform: $l2 + 50$ mm.

- VDI no. 4.34.2: with XL or XL (ERE) battery compartment: aisle width + 118 mm; with extended stand-on platform: aisle width + 50 mm; diagonal as per VDI: aisle width + 94 mm.

- VDI no. 4.35: with XL or XL (ERE) battery compartment: $Wa + 118$ mm; with extended stand-on platform: $Wa + 50$ mm; with lowered load section: $Wa + 82$ mm.


- VDI no. 6.2: with S3 10%.

- VDI no. 6.4: with XL battery compartment: 24 V / 620 Ah.

- VDI no. 6.5: with XL battery compartment: 460 kg.

- VDI no. 6.6.1 for ECE 225 and ECE 225 HP: 0.45 kWh/h.

The German production facilities in
Norderstedt, Moosburg and Landsberg
are certified as well as our Genuine Parts
Center in Kaltenkirchen. ISO 9001
ISO 14001

Jungheinrich fork lift trucks meet
European safety requirements. 

**JUNGHEINRICH**