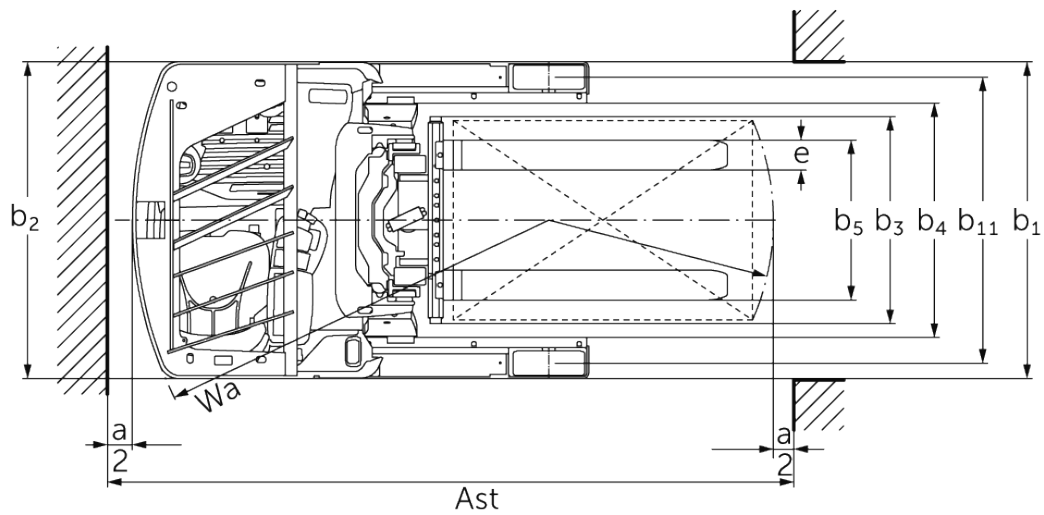
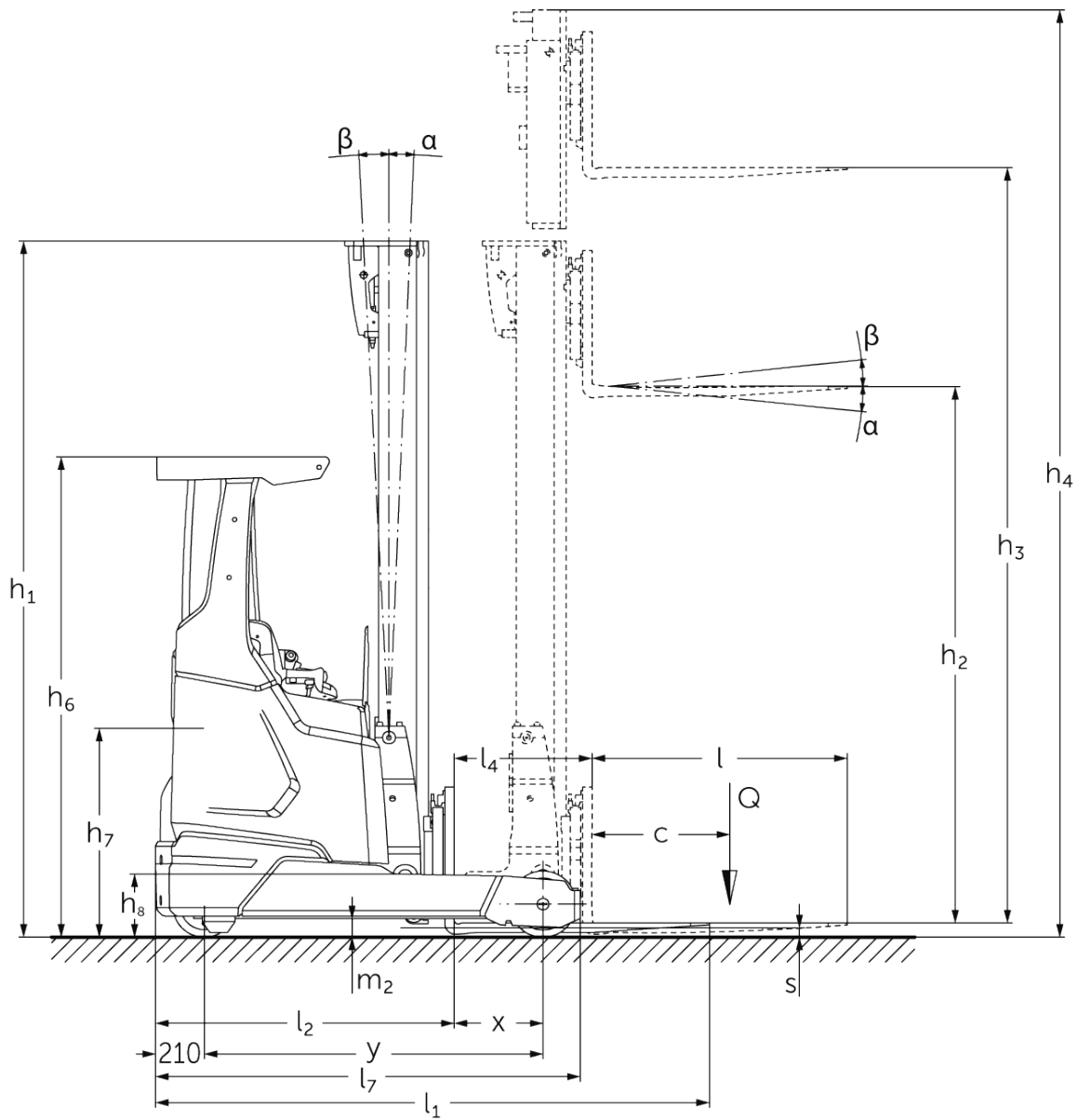




Electric reach truck **ETV 214i - 216i**

Lift height: 4550-10700 mm / Load capacity: 1400-1600 kg

ETV 214i - 216i



ETV 214i - 216i

| ETV 214i, ETV 216i | Lift (h3) | Retracted mast height (h1) | Free lift (h2) | Extended mast height (h4) | Forward/backward tilt of mast | Forward/backward tilt of fork carriage |
|---|-----------|----------------------------|----------------|---------------------------|-------------------------------|--|
| Fork tilt / Triplex mast DZ / cold-formed | 5000 mm | 2200 mm | 1546 mm | 5654 mm | | 2 / 5 ° |
| | 5300 mm | 2300 mm | 1646 mm | 5954 mm | | 2 / 5 ° |
| | 5600 mm | 2400 mm | 1746 mm | 6254 mm | | 2 / 5 ° |
| | 5900 mm | 2500 mm | 1846 mm | 6554 mm | | 2 / 5 ° |
| | 6200 mm | 2600 mm | 1946 mm | 6854 mm | | 2 / 5 ° |
| | 6500 mm | 2700 mm | 2046 mm | 7154 mm | | 2 / 5 ° |
| | 6800 mm | 2800 mm | 2146 mm | 7454 mm | | 2 / 5 ° |
| | 7100 mm | 2900 mm | 2246 mm | 7754 mm | | 2 / 5 ° |
| | 7400 mm | 3000 mm | 2346 mm | 8054 mm | | 2 / 5 ° |
| | 7700 mm | 3100 mm | 2446 mm | 8354 mm | | 2 / 5 ° |
| | 8000 mm | 3200 mm | 2546 mm | 8654 mm | | 2 / 5 ° |
| | 8300 mm | 3300 mm | 2646 mm | 8954 mm | | 2 / 5 ° |
| | 8420 mm | 3340 mm | 2686 mm | 9074 mm | | 2 / 5 ° |
| | 8720 mm | 3440 mm | 2786 mm | 9374 mm | | 2 / 5 ° |
| | 9020 mm | 3540 mm | 2886 mm | 9674 mm | | 2 / 5 ° |
| | 9410 mm | 3670 mm | 3016 mm | 10064 mm | | 2 / 5 ° |
| | 9920 mm | 3840 mm | 3186 mm | 10574 mm | | 2 / 5 ° |
| | 10250 mm | 3950 mm | 3296 mm | 10904 mm | | 2 / 5 ° |
| 10520 mm | 4040 mm | 3386 mm | 11174 mm | | 2 / 5 ° | |
| 10700 mm | 4100 mm | 3446 mm | 11354 mm | | 2 / 5 ° | |
| Mast tilt / Triplex mast DZ / cold-formed | 6500 mm | 2700 mm | 2046 mm | 7154 mm | 0.5 / 2 ° | |
| | 6800 mm | 2800 mm | 2146 mm | 7454 mm | 0.5 / 2 ° | |
| | 7100 mm | 2900 mm | 2246 mm | 7754 mm | 0.5 / 2 ° | |
| | 7310 mm | 2970 mm | 2316 mm | 7964 mm | 0.5 / 1 ° | |
| | 7400 mm | 3000 mm | 2346 mm | 8054 mm | 0.5 / 1 ° | |
| | 7700 mm | 3100 mm | 2446 mm | 8354 mm | 0.5 / 1 ° | |
| | 8000 mm | 3200 mm | 2546 mm | 8654 mm | 0.5 / 1 ° | |
| | 8300 mm | 3300 mm | 2646 mm | 8954 mm | 0.5 / 1 ° | |
| | 8420 mm | 3340 mm | 2686 mm | 9074 mm | 0.5 / 1 ° | |
| | 8720 mm | 3440 mm | 2786 mm | 9374 mm | 0.5 / 1 ° | |

| | | | | | |
|---|----------------|----------------|----------------|----------------|----------------|
| | 9020 mm | 3540 mm | 2886 mm | 9674 mm | 0.5 / 1 ° |
| Mast tilt / Triplex mast DZ / hot-rolled | 4550 mm | 2050 mm | 1396 mm | 5204 mm | 1 / 5 ° |
| | 5000 mm | 2200 mm | 1546 mm | 5654 mm | 1 / 5 ° |
| | 5240 mm | 2280 mm | 1626 mm | 5894 mm | 1 / 5 ° |
| | 5300 mm | 2300 mm | 1646 mm | 5954 mm | 1 / 5 ° |
| | 5450 mm | 2350 mm | 1696 mm | 6104 mm | 1 / 3 ° |
| | 5600 mm | 2400 mm | 1746 mm | 6254 mm | 1 / 3 ° |
| | 5720 mm | 2440 mm | 1786 mm | 6374 mm | 1 / 3 ° |
| | 5900 mm | 2500 mm | 1846 mm | 6554 mm | 1 / 3 ° |
| | 6200 mm | 2600 mm | 1946 mm | 6854 mm | 1 / 3 ° |
| | 6500 mm | 2700 mm | 2046 mm | 7154 mm | 0.5 / 2 ° |
| | 6800 mm | 2800 mm | 2146 mm | 7454 mm | 0.5 / 2 ° |
| | 7100 mm | 2900 mm | 2246 mm | 7754 mm | 0.5 / 2 ° |
| | 7310 mm | 2970 mm | 2316 mm | 7964 mm | 0.5 / 1 ° |
| | 7400 mm | 3000 mm | 2346 mm | 8054 mm | 0.5 / 1 ° |

VDI table

Stand-on: 01/2025

| | | | | Jungheinrich | | |
|--------------------------|---|--|-------|-------------------|-----------------|-------------|
| Characteristic | 1.1 | Manufacturer (abbreviated description) | | | | |
| | 1.2 | Manufacturer's type designation | | ETV 214i | ETV 216i | |
| | 1.3 | Drive | | Electric | | |
| | 1.4 | Operation | | Sideways-seated | | |
| | 1.5 | Load capacity/load | Q | kg | 1400 | 1600 |
| | 1.6 | Load centre distance | c | mm | 600 | |
| | 1.8 | Load distance, centre of drive axle to fork | x | mm | 433 | 383 |
| | 1.8.1 | Load distance, centre of drive axle to fork, mast extended | | | 205 | |
| | 1.9 | Wheelbase | y | mm | 1410 | 1460 |
| Weights | 2.1.1 | Service weight (incl. battery) | | kg | 2828 | 2850 |
| | 2.3 | Axle load unladen front/rear | | kg | 1805 / 1023 | 1815 / 1035 |
| | 2.4 | Axle load fork forward laden front/rear | | kg | 494 / 3734 | 503 / 3947 |
| | 2.5 | Axle load fork back laden front/rear | | kg | 1586 / 2642 | 1594 / 2856 |
| Wheels/suspension system | 3.1 | Tyres | | Polyurethane (PU) | | |
| | 3.2 | Tyre size, front | | Ø 270 x 114 | | |
| | 3.3 | Tyre size, rear | | Ø 285 x 100 | | |
| | 3.5 | Wheels, number front/back (x=driven) | | 1x / 2 | | |
| | 3.7 | Tread width, rear | b11 | mm | 1148 | |
| Basic dimensions | 4.1 | Forward/backward tilt of mast | | a/β | ° | |
| | 4.2 | Retracted mast height (h1) | | h1 | mm | |
| | 4.3 | Free lift (h2) | | h2 | mm | |
| | 4.4 | Lift (h3) | | h3 | mm | |
| | 4.5 | Extended mast height (h4) | | h4 | mm | |
| | 4.7 | Height of overhead guard (cab) | | h6 | mm | |
| | 4.8 | Seat height/stand height | | h7 | mm | |
| | 4.10 | Height of support arms | | h8 | mm | |
| | 4.19 | total length | l1 | mm | 2287 | 2437 |
| | 4.20 | Length including fork shank | l2 | mm | 1187 | 1287 |
| | 4.21.1 | total width | b1 | mm | 1270 | |
| | 4.21.2 | total width | b2 | mm | 1270 | |
| | 4.22 | Fork dimensions | s/e/l | mm | 40 x 120 x 1150 | |
| | 4.23 | Fork carriage connection class | | | 2B | |
| | 4.24 | Fork carriage width | b3 | mm | 830 | |
| | 4.25 | Width across forks | b5 | mm | 335 | |
| | 4.25.1 | Width across forks (min./max.) | b5 | mm | 335 / 730 | |
| | 4.26 | Width between support arms/loading areas | b4 | mm | 940 | |
| | 4.28 | Reach distance | | | 638 | 588 |
| | 4.32 | Ground clearance centre of wheelbase | m2 | mm | 75 | |
| 4.34.1 | Aisle width (pallet 1000x1200 sideways) | Ast | mm | 2646 | 2731 | |
| 4.34.2 | Aisle width (pallet 800x1200 length) | Ast | mm | 2685 | 2780 | |
| 4.35 | Turning radius | Wa | mm | 1620 | 1670 | |
| 4.37 | Length over the support arms | L7 | mm | 1780 | 1830 | |
| Performance data | 5.1 | Travel speed laden/unladen | | km/h | 11 / 11 | |
| | 5.2 | Lift speed laden/unladen | | m/s | 0.4 / 0.68 | 0.38 / 0.68 |
| | 5.3 | Lowering speed laden/unladen | | m/s | 0.55 / 0.52 | |
| | 5.4 | Reach speed laden/unladen | | m/s | 0.2 / 0.2 | |
| | 5.7 | Gradeability laden/unladen | | % | 7 / 10 | |
| | 5.8 | Max. gradeability laden/unladen | | % | 10 / 15 | |

| | | | | | |
|---------------------|-------|--|--------|---------------------|-----|
| | 5.9 | Acceleration time laden/unladen | s | 5.2 / 4.8 | |
| | 5.10 | Service brake | | electric | |
| E-motor/Electronics | 6.1 | Drive motor, performance S2 60 min | kW | 7.5 | |
| | 6.2 | Lift motor, performance with S3 | kW | 10.5 | |
| | 6.3 | Battery according to DIN 43531/35/36 | | Jungheinrich Li-ion | |
| | 6.4 | Battery voltage/nominal capacity | V / Ah | 51.2 / 230 | |
| | 6.5 | Battery weight | kg | 106 | 190 |
| | 6.6.1 | Energy consumption according to EN cycle | kWh/h | 2.9 | |
| | 6.6.2 | CO2 equivalent as per EN 16796 | kg/h | 1.6 | |
| | 6.7 | Throughput | t/h | 49 | 57 |
| | 6.8.1 | Energy consumption with max. throughput | kWh/h | 2.6 | 2.7 |
| Other | 8.1 | Type of drive control | | 3-phase AC | |
| | 10.1 | Operating pressure for attachment | bar | 150 | |
| | 10.2 | Oil flow for attachments | l/min | 20 | |
| | 10.7 | Sound level as per EN12053, operator's ear | dB (A) | 67 | 65 |

- This data sheet according to VDI guideline 2198 only states the technical values of the standard truck. Different tyres, other masts, additional equipment etc. may result in different values.

The German production facilities in
Norderstedt, Moosburg and Landsberg
are certified as well as our Genuine Parts
Center in Kaltenkirchen. ISO 9001
ISO 14001

Jungheinrich fork lift trucks meet
European safety requirements. 

**JUNGHEINRICH**