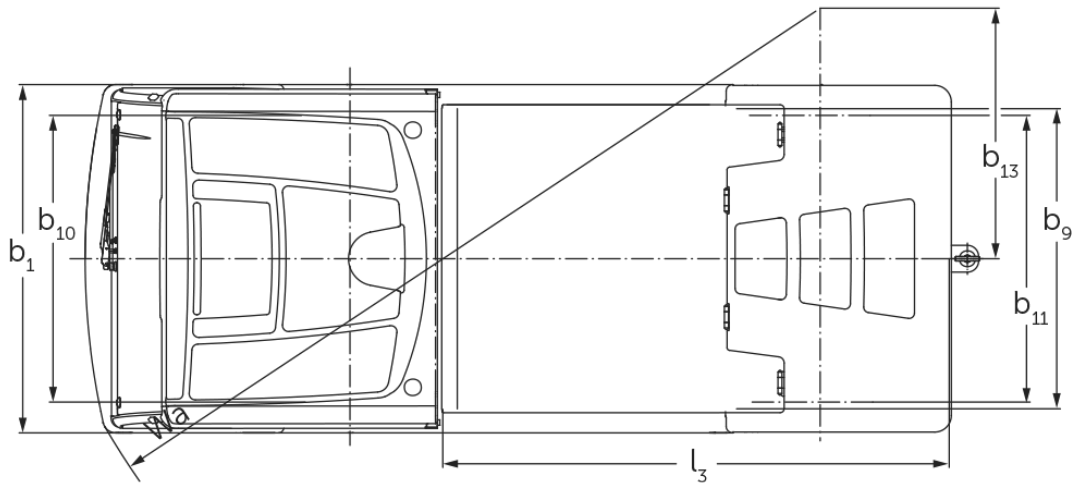
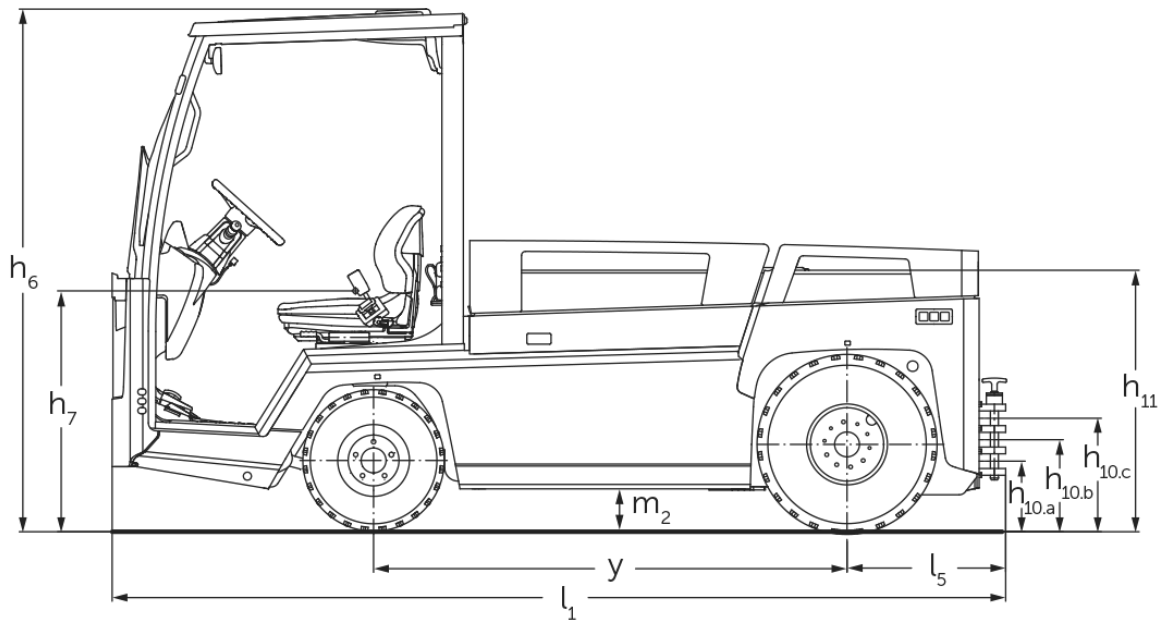




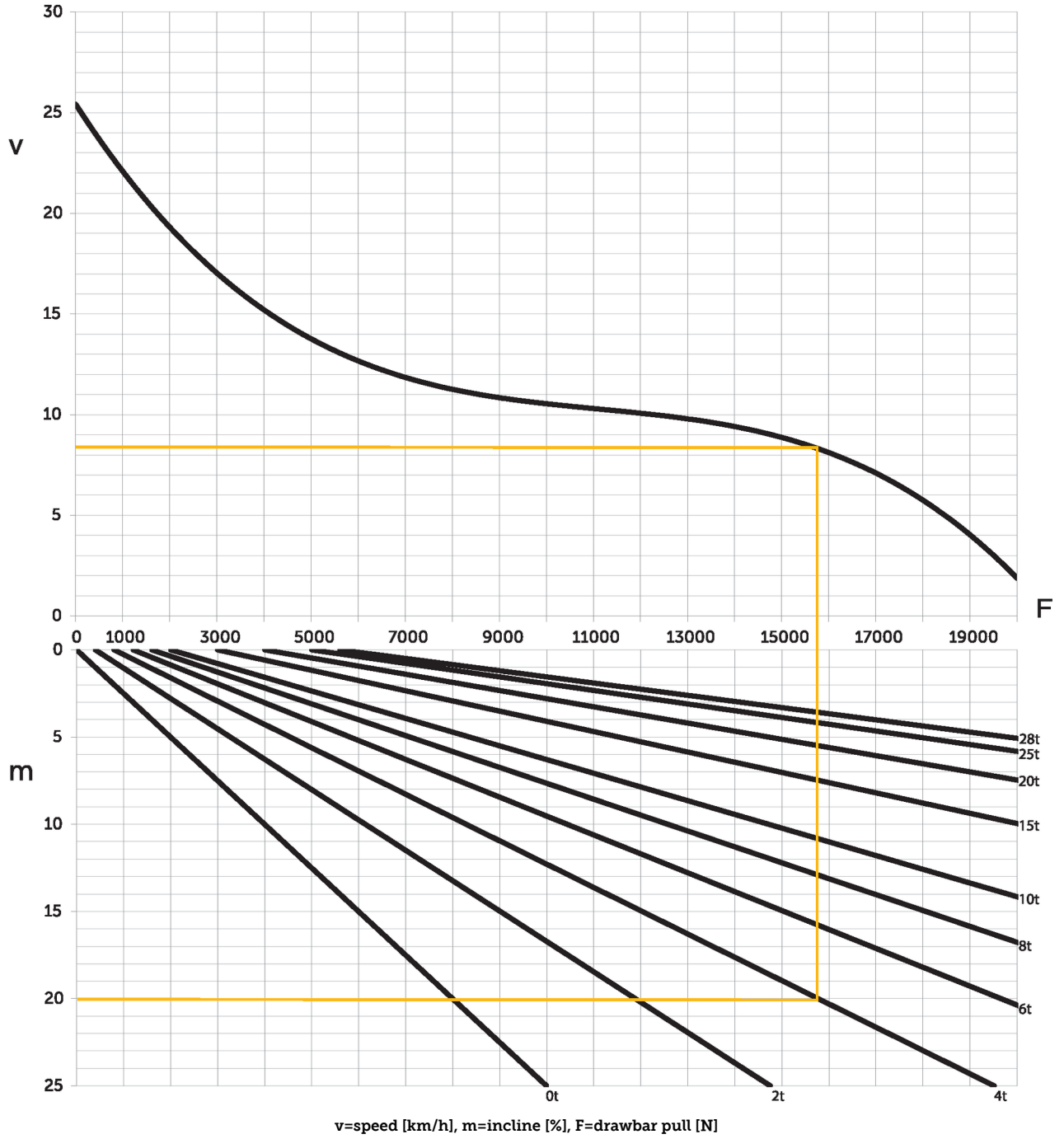
Electric tow tractor
EZS 7280

EZS 7280



EZS 7280

Pulling ability



VDI table

Stand-on: 01/2025

| Characteristic | Item | Description | Unit | Jungheinrich | |
|--------------------------|-------------------------------|---|--------|-----------------------|-------------|
| | | | | EZS 7280 | EZS 7280 XL |
| Characteristic | 1.1 | Manufacturer (abbreviated description) | | Jungheinrich | |
| | 1.2 | Manufacturer's type designation | | EZS 7280 | EZS 7280 XL |
| | 1.3 | Drive | | electric | |
| | 1.4 | Operation | | Seat | |
| | 1.5.3 | Towing capacity | Q kg | 28000 | |
| | 1.7 | Rated drawbar pull | N | 5600 | |
| | 1.9 | Wheelbase | y mm | 1465 | 1755 |
| Weights | 2.1.1 | Service weight (incl. battery) | kg | 4088 | 4796 |
| | 2.3 | Axle load unladen front/rear | kg | 2100 / 1988 | 2446 / 2350 |
| Wheels/suspension system | 3.1 | Tyres | | Air | |
| | 3.2 | Tyre size, front | | 6.00 R9 | |
| | 3.3 | Tyre size, rear | | 7.00 R12 | |
| | 3.5 | Wheels, number front/back (x=driven) | | 2 / 2 x | |
| | 3.6 | Tread width, front | b10 mm | 1070 | |
| | 3.7 | Tread width, rear | b11 mm | 1070 | |
| Basic dimensions | 4.7 | Height of overhead guard (cab) | h6 mm | 1970 | |
| | 4.8 | Seat height/stand height | h7 mm | 880 | |
| | 4.12 | Coupling height | h10 mm | 240 | |
| | 4.12.1 | 2. Coupling height | mm | 320 | |
| | 4.12.2 | 3. Coupling height | mm | 400 | |
| | 4.13 | Loading height, unladen | mm | 1000 | |
| | 4.16 | Loading area length | l3 mm | 1536 | 1826 |
| | 4.17 | Overhang length | mm | 610 | |
| | 4.18 | Loading area width | b9 mm | 1090 | |
| | 4.19 | Overall length | l1 mm | 3045 | 3335 |
| | 4.21.1 | total width | b1 mm | 1300 | |
| | 4.32 | Ground clearance centre of wheelbase | m2 mm | 150 | |
| | 4.35 | Turning radius | Wa mm | 2847 | 3178 |
| 4.36 | Smallest pivot point distance | b13 mm | 935 | 1095 | |
| Performance data | 5.1 | Travel speed laden/unladen | km/h | 12 / 25 | |
| | 5.1.1 | Reverse travel speed with/without load | km/h | 10 / 10 | |
| | 5.5 | Drawbar pull laden | N | 5600 | |
| | 5.6 | Max. drawbar pull laden/unladen | N | 19000 / 19000 | |
| | 5.10 | Service brake | | hydraulic/electric | |
| E-motor/ Electronics | 6.1 | Drive motor, performance S2 60 min | kW | 20 | |
| | 6.4 | Battery voltage/nominal capacity | V / Ah | 80 / 620 | 80 / 930 |
| | 6.5 | Battery weight | kg | 1560 | 2180 |
| | 6.6 | Energy consumption according to VDI cycle | kWh/h | 0 | |
| Other | 8.1 | Type of drive control | | 3-phase AC technology | |
| | 10.7 | Schalldruckpegel nach EN12053 | dB (A) | 60 | |

- This data sheet according to VDI guideline 2198 only states the technical values of the standard truck. Different tyres, other masts, additional equipment etc. may result in different values.

- VDI no. 4.12: the value for the coupling height applies to a triple coupling
- VDI no. 4.19: the specification for the overall length includes a triple coupling
- VDI no. 5.1: with a towing capacity of 25 t, the travel speed is 13 km/h
- VDI no. 10.7: the specification applies with deactivated ventilation / heating

The German production facilities in
Norderstedt, Moosburg and Landsberg
are certified as well as our Genuine Parts
Center in Kaltenkirchen. ISO 9001
ISO 14001

Jungheinrich fork lift trucks meet
European safety requirements. 

 **JUNGHEINRICH**