



## **Electric pedestrian stacker with support arm lift**

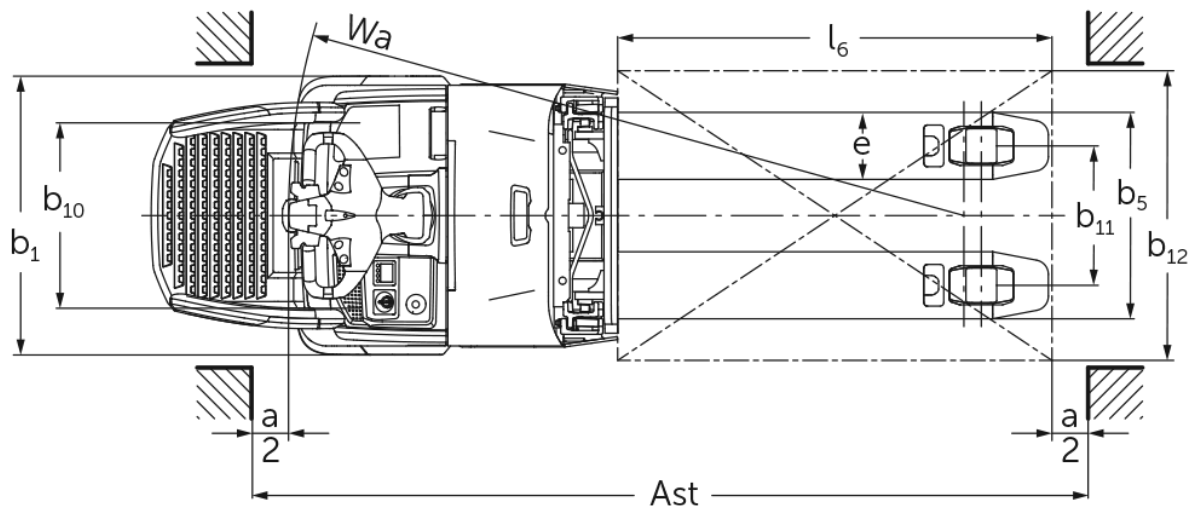
### **ERD 120 / 220**

Lift height: 1500-2905 mm / Load capacity: 2000 kg

# ERD 120 / 220



# ERD 120 / 220



# ERD 120 / 220

ERD 120, ERD 220, ERD 220 drivePLUS	Lift (h3)	Retracted mast height (h1)	Free lift (h2)	Extended mast height (h4)
Duplex mast ZT	<b>1660 mm</b>	<b>1306 mm</b>	<b>100 mm</b>	<b>2115 mm</b>
	2010 mm	1481 mm	100 mm	2465 mm
	2100 mm	1526 mm	100 mm	2555 mm
	2560 mm	1756 mm	100 mm	3015 mm
	2900 mm	1926 mm	100 mm	3355 mm
Duplex mast ZZ	<b>2500 mm</b>	<b>1706 mm</b>	<b>1250 mm</b>	<b>2956 mm</b>
	2900 mm	1906 mm	1450 mm	3356 mm
Single mast E	<b>1500 mm</b>	<b>1921 mm</b>	<b>1468 mm</b>	<b>1953 mm</b>
	1660 mm	2081 mm	1628 mm	2113 mm
	2100 mm	2521 mm	2068 mm	2553 mm
Triplex mast DT	<b>2050 mm</b>	<b>1213 mm</b>	<b>100 mm</b>	<b>2513 mm</b>
	2350 mm	1313 mm	100 mm	2813 mm
	2500 mm	1363 mm	100 mm	2963 mm
	2905 mm	1498 mm	100 mm	3368 mm

# VDI table

Stand-on: 01/2025

		Jungheinrich		
Characteristic	1.1	Manufacturer (abbreviated description)		
	1.2	Manufacturer's type designation	ERD 120	ERD 220   ERD 220 drivePLUS
	1.3	Drive	electric	
	1.4	Operation	Stand-on/pedestrian	
	1.5	Load capacity/load	Q kg	2000
	1.5.1	Rated capacity/load with mast lift	Q kg	1000
	1.5.2	Rated capacity/load with support arm lift	Q kg	2000
	1.6	Load centre distance	c mm	600
	1.8	Load distance, centre of drive axle to fork	x mm	956
	1.9	Wheelbase	y mm	1624
Weights	2.1.1	Service weight (incl. battery)	kg	1010
	2.2	Axle load laden front/rear	kg	1185 / 1830
	2.3	Axle load unladen front/rear	kg	750 / 260
Wheels/suspension system	3.1	Tyres	Polyurethane (PU)	
	3.2	Tyre size, front	ø 230 x 65	ø 230 x 77
	3.3	Tyre size, rear	ø 85 x 95 / ø 85 x 75	
	3.4	Additional wheels	ø 140 x 50	
	3.5	Wheels, number front/back (x=driven)	1x + 2 / 2 oder 4	
	3.6	Tread width, front	b10 mm	512
	3.7	Tread width, rear	b11 mm	385
Basic dimensions	4.2	Retracted mast height (h1)	h1 mm	1306
	4.3	Free lift (h2)	h2 mm	100
	4.4	Lift (h3)	h3 mm	1660
	4.5	Extended mast height (h4)	h4 mm	2115
	4.6	Initial lift	h5 mm	110
	4.9	Height of tiller handle in drive position min./max.	h14 mm	1230 / 1410
	4.15	Height, lowered	h13 mm	90
	4.19	Overall length	l1 mm	2084
	4.20	Length including fork shank	l2 mm	894
	4.21.1	total width	b1 mm	770
	4.22	Fork dimensions	s/ e/l mm	56 x 185 x 1190
	4.25	Width across forks	b5 mm	570
	4.32	Ground clearance centre of wheelbase	m2 mm	19
	4.34.1	Aisle width (pallet 1000x1200 sideways)	Ast mm	2300
	4.34.2	Aisle width (pallet 800x1200 length)	Ast mm	2310
4.35	Turning radius	Wa mm	1866	
Performance data	5.1	Travel speed laden/unladen	km/h	8.2 / 9   9.5 / 12.5   9.5 / 14
	5.2	Lift speed laden/unladen	m/s	0.17 / 0.32
	5.3	Lowering speed laden/unladen	m/s	0.45 / 0.35
	5.7	Gradeability laden/unladen	%	8 / 16   10 / 20
	5.10	Service brake		generative
E-motor/Electronics	6.1	Drive motor, performance S2 60 min	kW	2   2.8   3.2
	6.2	Lift motor, performance with S3	kW	2.2
	6.3	Battery according to DIN 43531/35/36		DIN 43535 B
	6.4	Battery voltage/nominal capacity	V / Ah	24 / 250
	6.5	Battery weight	kg	235
	6.6	Energy consumption according to VDI cycle	kWh/h	0

	6.6.1	Energy consumption according to EN cycle	kWh/h	0.68	0.62	0.71
	6.6.2	CO2 equivalent as per EN 16796	kg/h	0.4	0.3	0.4
	6.7	Throughput	t/h	84	108	
	6.8.1	Energy consumption with max. throughput	kWh/h	0.83	1.44	1.48
Other	8.1	Type of drive control		AC		
	10.7	Schalldruckpegel nach EN12053	dB (A)	71	68	67
<p>- This data sheet according to VDI guideline 2198 only states the technical values of the standard truck. Different tyres, other masts, additional equipment etc. may result in different values.</p>						

Efficiency: Values of standard package | PLUS: Values of performance package

The values in the table apply to the folding stand-on platform (folded up), M-LBE battery compartment, ZT1660 mast, proportional hydraulics, fork length 1,190 mm, raised support arm lift.

- VDI no. 1.5: in double-decker mode: mast lift max. 1 t / overall load max. 2 t.

- VDI no. 1.8: lowered support arm lift: x + 48 mm. With fork length 1,150 mm: x - 40 mm. With simplex mast: x - 1 mm; triplex telescopic mast: x - 10 mm; ZZ mast: x - 29 mm.

- VDI no. 1.9: lowered support arm lift: y + 48 mm. With fork length 1,150 mm: y - 40 mm. With M-VBE, L-LBE & L high-LBE battery compartment: y + 72 mm; L-VBE: y + 117 mm.

- VDI no. 4.9: with fixed stand-on platform: 1,256 mm (1,296 mm with L high-LBE battery compartment) or 1,204 / 1,284 mm with height-adjustable tiller.

- VDI no. 4.19: with M-VBE, L-LBE & L high-LBE battery compartment: l1 + 72 mm; L-VBE: l1 + 117 mm. With folding platform folded down: l1 + 396 mm; compact, fixed platform: l1 + 357 mm; extended, fixed platform: l1 + 472 mm; L platform: l1 + 477 mm. With simplex mast: l1+ 1 mm; triplex telescopic mast: l1 + 10 mm; ZZ mast: l1+ 29 mm.

- VDI no. 4.20: with M-VBE, L-LBE & L high-LBE battery compartment: l2 + 72 mm; L-VBE: l2 + 117 mm. With folding platform folded down: l2 + 396 mm; compact, fixed platform: l2 + 357 mm; extended, fixed platform: l2 + 472 mm; L platform: l2 + 477 mm. With simplex mast: l2+ 1 mm; triplex telescopic mast: l2 + 10 mm; ZZ mast: l2+ 29 mm.

- VDI no. 4.34.1: with fork length 1,150 mm: aisle width - 40 mm. With M-VBE, L-LBE & L high-LBE battery compartment: aisle width + 72 mm; L-VBE: aisle width + 117 mm. with folding platform folded down: aisle width + 396 mm; compact, fixed platform: aisle width + 357 mm; extended, fixed platform: aisle width + 472 mm; L platform: aisle width + 477 mm. With simplex mast: aisle width + 1 mm; triplex telescopic mast: aisle width + 10 mm; ZZ mast: aisle width + 29 mm.

- VDI no. 4.34.2: with fork length 1,150 mm: aisle width - 40 mm. With M-VBE, L-LBE & L high-LBE battery compartment: aisle width + 72 mm; L-VBE: aisle width + 117 mm. with folding platform folded down: aisle width + 396 mm; compact, fixed platform: aisle width + 357 mm; extended, fixed platform: aisle width + 472 mm; L platform: aisle width + 477 mm. With simplex mast: aisle width + 1 mm; triplex telescopic mast: aisle width + 10 mm; ZZ mast: aisle width + 29 mm.

- VDI no. 4.35: with fork length 1,150 mm: Wa - 40 mm. With M-VBE, L-LBE & L high-LBE battery compartment: Wa + 72 mm; L-VBE: Wa + 117 mm. with folding platform folded down: Wa + 396 mm; compact, fixed platform: Wa + 357 mm; extended, fixed platform: Wa + 472 mm; L platform: Wa + 477 mm.

- VDI no. 5.3: With black / white hydraulics: 0.26 / 0.27 m/s.

- VDI no. 6.2: With black / white hydraulics: 1.9 kW.

The German production facilities in  
Norderstedt, Moosburg and Landsberg  
are certified as well as our Genuine Parts  
Center in Kaltenkirchen. ISO 9001  
ISO 14001

Jungheinrich fork lift trucks meet  
European safety requirements. 

**JUNGHEINRICH**