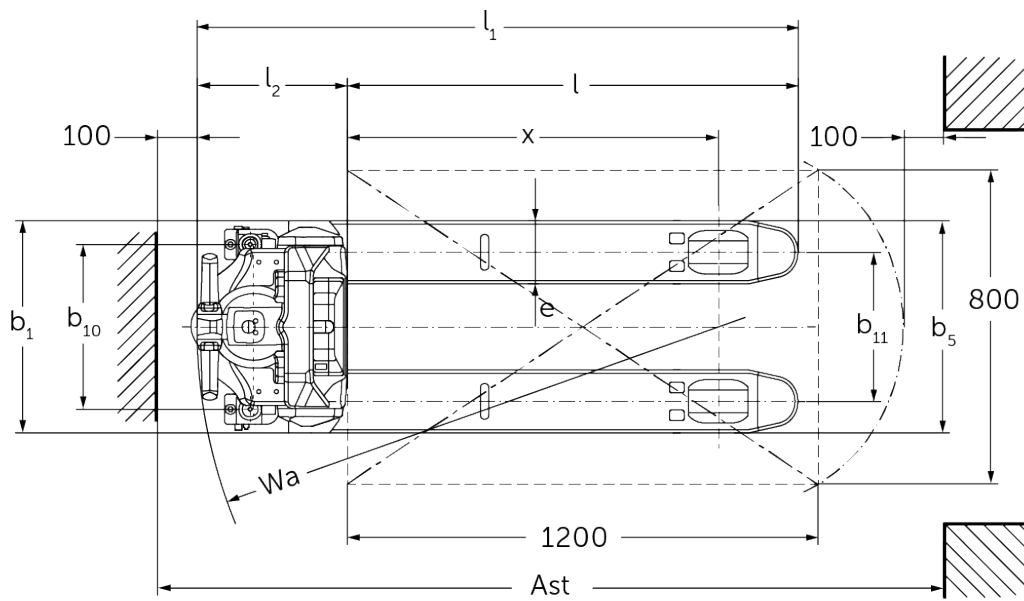
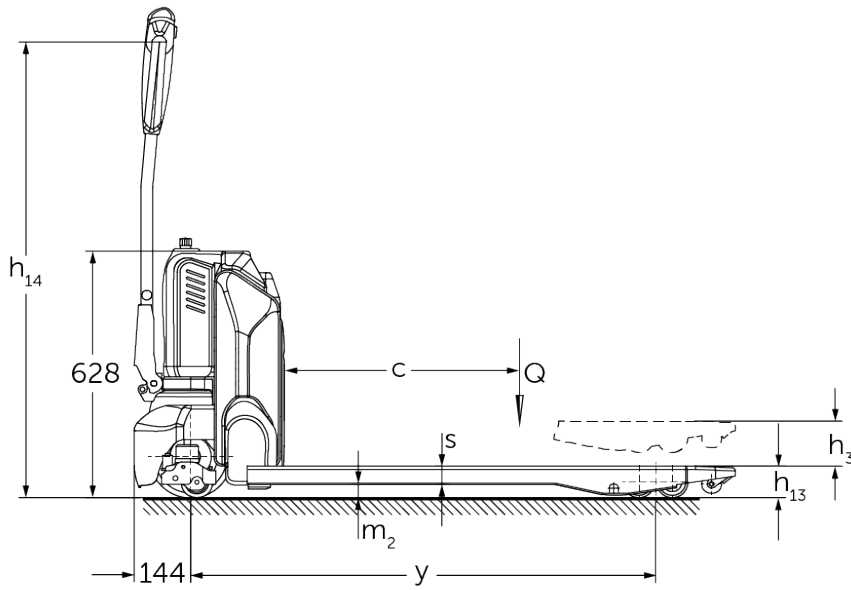




Electric pedestrian pallet truck **AME 16**

Lift height: 115 mm / Load capacity: 1600 kg

AME 16




VDI table

Stand-on: 01/2025

		Jungheinrich			
		AME 16 (540x1,000)	AME 16 (540x1,150)	AME 16 (685x1,150)	
Characteristic	1.1	Manufacturer (abbreviated description)			
	1.2	Manufacturer's type designation			
	1.3	Drive	electric		
	1.4	Operation	Pedestrian		
	1.5	Load capacity/load	Q	kg	
	1.6	Load centre distance	c	mm	
	1.8	Load distance, centre of drive axle to fork	x	mm	
	1.9	Wheelbase	y	mm	
	Weights	2.1.1	Service weight (incl. battery)	kg	
2.2		Axle load laden front/rear	kg		
2.3		Axle load unladen front/rear	kg		
Wheels/suspension system	3.1	Tyres	Polyurethane (PU)		
	3.2	Tyre size, front	Ø210 x 70		
	3.3	Tyre size, rear	Ø80 x 70		
	3.4	Additional wheels	Ø80 x 30		
	3.5	Wheels, number front/back (x=driven)	1x +2 / 4		
	3.6	Tread width, front	b10	mm	
	3.7	Tread width, rear	b11	mm	
Basic dimensions	4.4	Lift (h3)	h3		
	4.9	Height of tiller handle in drive position min./max.	h14		
	4.15	Height, lowered	h13		
	4.19	Overall length	l1	mm	
	4.20	Length including fork shank	l2	mm	
	4.21.1	total width	b1	mm	
	4.22	Fork dimensions	s/ e/l	mm	
	4.25	Width across forks	b5	mm	
	4.32	Ground clearance centre of wheelbase	m2	mm	
	4.34.2	Aisle width (pallet 800x1200 length)	Ast	mm	
	4.35	Turning radius	Wa	mm	
Performance data	5.1	Travel speed laden/unladen	km/h		
	5.2	Lift speed laden/unladen	m/s		
	5.3	Lowering speed laden/unladen	m/s		
	5.8	Max. gradeability laden/unladen	%		
	5.10	Service brake	electromagnetic		
E-motor/Electronics	6.1	Drive motor, performance S2 60 min	kW		
	6.2	Lift motor, performance with S3	kW		
	6.3	Battery according to DIN 43531/35/36	no		
	6.4	Battery voltage/nominal capacity	V / Ah		
	6.5	Battery weight	kg		
	6.6	Energy consumption according to VDI cycle	kWh/h		
Other	8.1	Type of drive control	Impulse/DC		
	10.7	Schalldruckpegel nach EN12053	dB (A)		

- This data sheet according to VDI guideline 2198 only states the technical values of the standard truck. Different tyres, other masts, additional equipment etc. may result in different values.

The German production facilities in
Norderstedt, Moosburg and Landsberg
are certified as well as our Genuine Parts
Center in Kaltenkirchen. ISO 9001
ISO 14001

Jungheinrich fork lift trucks meet
European safety requirements. 

**JUNGHEINRICH**