



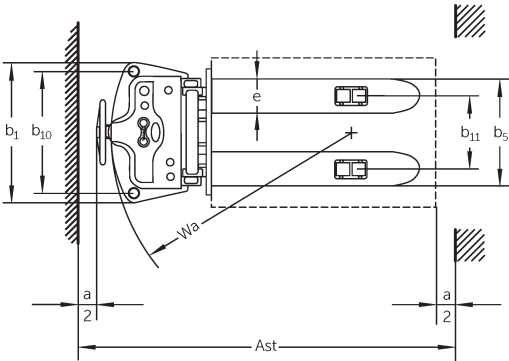
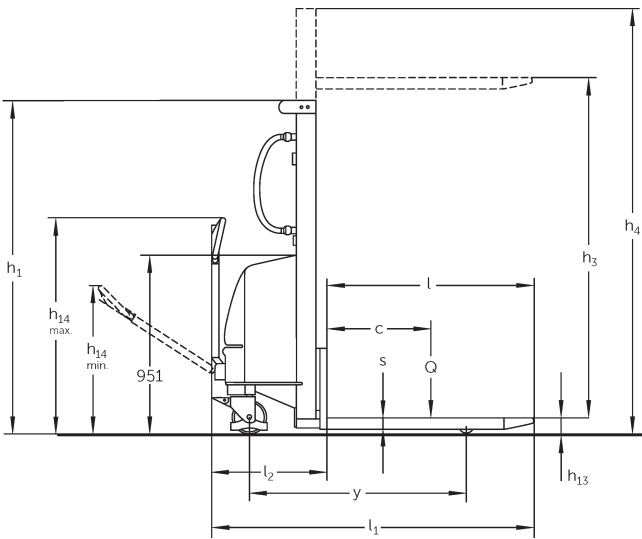
## Electric hand stacker

### HC 110

Lift height: 1600-3000 mm / Load capacity: 1000 kg

**JUNGHEINRICH**

# HC 110



## VDI table

|                          |                  |   |                            |                 |           |           |
|--------------------------|------------------|---|----------------------------|-----------------|-----------|-----------|
| Characteristic           | 1.1              | Manufacturer (abbreviated description)              |                            | Jungheinrich    |           |           |
|                          | 1.2              | Manufacturer's type designation                     |                            | HC 110          |           |           |
|                          | 1.3              | Drive   |                            | Manual          |           |           |
|                          | 1.4              | Operation   |                            | Pedestrian      |           |           |
|                          | 1.5              | Load capacity/load                                  | Q kg                       | 1000            |           |           |
|                          | 1.6              | Load centre distance                                | c mm                       | 600             |           |           |
|                          | 1.9              | Wheelbase   | y mm                       | 1210            |           |           |
| Weights                  | 2.1.1            | Service weight (incl. battery)                      | kg                         | 348             | 435       | 450       |
|                          | 2.2              | Axle load laden front/rear                          | kg                         | 400 / 948       | 443 / 992 | 454 / 996 |
|                          | 2.3              | Axle load unladen front/rear                        | kg                         | 242 / 106       | 306 / 129 | 323 / 127 |
| Wheels/suspension system | 3.1              | Tyres   |                            | Rubber / nylon  |           |           |
|                          | 3.2              | Tyre size, front                                    |                            | Ø 180 x 50      |           |           |
|                          | 3.3              | Tyre size, rear                                     |                            | Ø 74 x 93       |           |           |
|                          | 3.5              | Wheels, number front/back (x=driven)                |                            | 2/2             |           |           |
|                          | 3.6              | Tread width, front                                  | b10 mm                     | 680             |           |           |
|                          | 3.7              | Tread width, rear                                   | b11 mm                     | 400             |           |           |
|                          | Basic dimensions | 4.2   | Retracted mast height (h1) | h1 mm           | 1980      | 1830      |
| 4.4                      |                  | Lift (h3)   | h3 mm                      | 1600            | 2500      | 3000      |
| 4.5                      |                  | Extended mast height (h4)                           | h4 mm                      | 1980            | 3070      | 3570      |
| 4.9                      |                  | Height of tiller handle in drive position min./max. | h14 mm                     | 790 / 1156      |           |           |
| 4.15                     |                  | Height, lowered                                     | h13 mm                     | 85              |           |           |
| 4.19                     |                  | Overall length                                      | l1 mm                      | 1720            |           |           |
| 4.20                     |                  | Length including fork shank                         | l2 mm                      | 620             |           |           |
| 4.21.1                   |                  | total width   | b1 mm                      | 777             |           |           |
| 4.22                     |                  | Fork dimensions                                     | s/e/l mm                   | 60 x 180 x 1100 |           |           |
| 4.25                     |                  | Width across forks                                  | b5 mm                      | 570             |           |           |
| 4.34.1                   |                  | Aisle width (pallet 1000x1200 sideways)             | Ast mm                     | 2145            |           |           |
| 4.34.2                   |                  | Aisle width (pallet 800x1200 length)                | Ast mm                     | 2175            |           |           |
| 4.35                     |                  | Turning radius                                      | Wa mm                      | 1335            |           |           |
| Performance data         | 5.2              | Lift speed laden/unladen                            | m/s                        | 0.08 / 0.11     |           |           |
|                          | 5.3              | Lowering speed laden/unladen                        | m/s                        | 0.19 / 0.13     |           |           |

|                     |     |   |        |          |
|---------------------|-----|---|--------|----------|
| E-motor/Electronics | 6.2 | Lift motor, performance with S3           | kW     | 1.5      |
|                     | 6.4 | Battery voltage/nominal capacity          | V / Ah | 12 / 150 |
|                     | 6.5 | Battery weight                            | kg     | 45       |
|                     | 6.6 | Energy consumption according to VDI cycle | kWh/h  | 0        |

- This data sheet according to VDI guideline 2198 only states the technical values of the standard truck. Different tyres, other masts, additional equipment etc. may result in different values.

The German production facilities in  
Norderstedt, Moosburg and Landsberg  
are certified as well as our Genuine Parts  
Center in Kaltenkirchen.

ISO 9001  
ISO 14001

Jungheinrich fork lift trucks meet  
European safety requirements.



 **JUNGHEINRICH**

The logo features a red upward-pointing arrow integrated into the letter 'J' of the word 'JUNGHEINRICH', which is written in a bold, black, sans-serif font.