

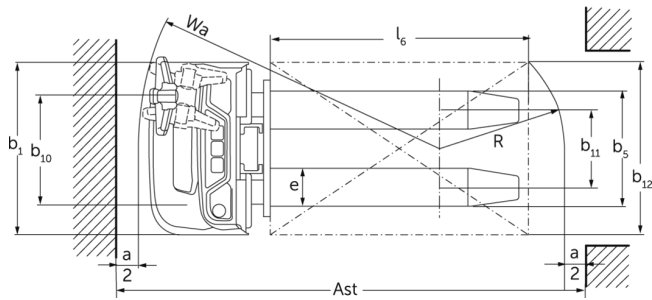
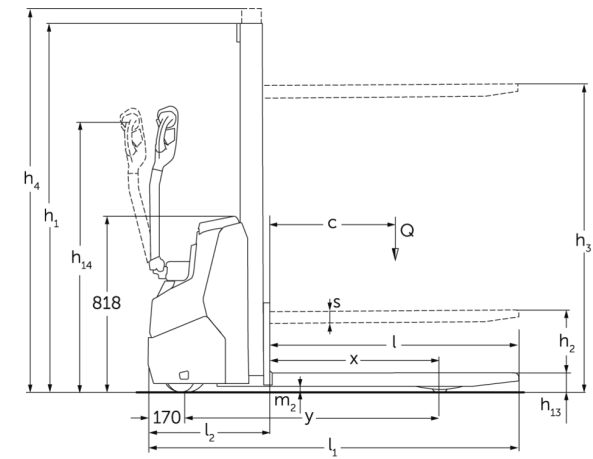


Electric pedestrian stacker **EJC 010i**

Lift height: 2300-3600 mm / Load capacity: 1000 kg



EJC 010i



VDI table

Characteristic	1.1	Manufacturer (abbreviated description)		Jungheinrich				
	1.2	Manufacturer's type designation		EJC 010i (2300ZT)	EJC 010i (2500ZT)	EJC 010i (2900ZT)	EJC 010i (3200ZT)	EJC 010i (3600ZT)
	1.3	Drive type		electric				
	1.4	Operation		Pedestrian				
	1.5	Load capacity/load	Q kg	1000				
	1.6	Load centre distance	c mm	600				
	1.8	Load distance, centre of drive axle to fork	x mm	707				
	1.9	Wheelbase	y mm	1141				
Weights	2.1.1	Service weight (incl. battery)	kg	601	611	630	645	664
	2.2	Axle load laden front/rear	kg	515 / 1086	520 / 1091	520 / 1100	538 / 1107	548 / 1116
	2.3	Axle load unladen front/rear	kg	425 / 176	430 / 181	440 / 190	448 / 197	458 / 206
Wheels/suspension system	3.1	Tyres		Polyurethane (PU)				
	3.2	Tyre size, front		Ø210 x 70				
	3.3	Tyre size, rear		ø75x105				
	3.4	Additional wheels		ø140x54				
	3.5	Wheels, number front/back (x=driven)		1x +1 / 2				
	3.6	Tread width, front	b10 mm	507				
	3.7	Tread width, rear	b11 mm	405				
Basic dimensions	4.2	Retracted mast height (h1)	h1 mm	1650	1750	1950	2100	2300
	4.3	Free lift (h2)	h2 mm	100				
	4.4	Lift (h3)	h3 mm	2300	2500	2900	3200	3600
	4.5	Extended mast height (h4)	h4 mm	2775	2975	3375	3675	4075
	4.9	Height of tiller handle in drive position min./max.	h14 mm	750 / 1260				
	4.15	Height, lowered	h13 mm	90				
	4.19	Total length	l1 mm	1754				
	4.20	Length including fork shank	l2 mm	604				
	4.21.1	total width	b1 mm	800				
	4.22	Fork dimensions	s/ e/l mm	60 x 178 x 1150				
	4.32	Ground clearance centre of wheelbase	m2 mm	24				
	4.34.1	Aisle width (pallet 1000x1200 sideways)	Ast mm	2002				
	4.34.2	Aisle width (pallet 800x1200 length)	Ast mm	2052				
4.35	Turning radius	Wa mm	1359					

Performance data	5.1	Travel speed laden/unladen	km/h	5.3 / 5.3
	5.2	Lift speed laden/unladen	m/s	0.15 / 0.27
	5.3	Lowering speed laden/unladen	m/s	0.34 / 0.34
	5.8	Max. gradeability laden/unladen	%	6 / 14
E-motor/Electronics	6.1	Drive motor, performance S2 60 min	kW	1
	6.2	Lift motor, performance with S3	kW	2.2
	6.3	Battery according to DIN 43531/35/36		no
	6.4	Battery voltage/nominal capacity	V / Ah	24 / 50
	6.5	Battery weight	kg	24
	6.6.1	Energy consumption according to EN cycle	kWh/h	0.43
	6.6.2	CO2 equivalent as per EN 16796	kg/h	0.2
Other	10.7	Schalldruckpegel nach EN12053	dB (A)	65.3
- This data sheet according to VDI guideline 2198 only states the technical values of the standard truck. Different tyres, other masts, additional equipment etc. may result in different values.				

- VDI no. 4.34.1: diagonal as per VDI: aisle width + 225 mm; tiller in upright position (slow travel).
- VDI no. 4.34.2: diagonal as per VDI: aisle width + 142 mm; tiller in upright position (slow travel).
- VDI no. 6.2: S3 5%.
- VDI no. 4.35: tiller in upright position (slow travel).

The German production facilities in
Norderstedt, Moosburg and Landsberg
are certified as well as our Genuine Parts
Center in Kaltenkirchen.

ISO 9001
ISO 14001

Jungheinrich fork lift trucks meet
European safety requirements.



 **JUNGHEINRICH**

The logo features a red upward-pointing arrow integrated into the letter 'J' of the word 'JUNGHEINRICH', which is written in a bold, black, sans-serif font.