



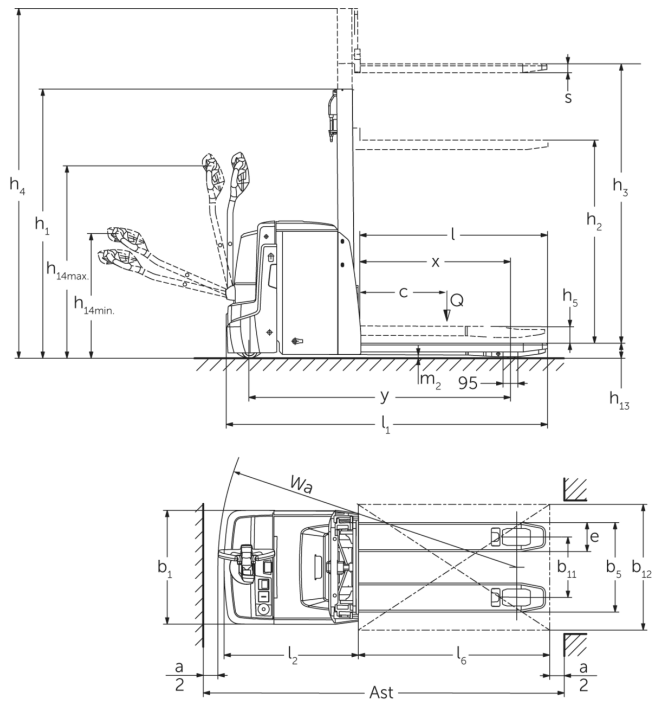
Electric pedestrian stacker with support arm lift

EJD 120/222

Lift height: 1500-2905 mm / Load capacity: 2000-2200 kg



EJD 120/222



EJD 120/222

EJD 120, EJD 222		Lift (h3)	Retracted mast height (h1)	Free lift (h2)	Extended mast height (h4)
Duplex mast ZT	1660 mm	1306 mm	100 mm	2115 mm	
	2010 mm	1481 mm	100 mm	2465 mm	
	2100 mm	1526 mm	100 mm	2555 mm	
Single mast E	1500 mm	1921 mm	1468 mm	1953 mm	
	1660 mm	2081 mm	1628 mm	2113 mm	
	2100 mm	2521 mm	2068 mm	2553 mm	
EJD 222		Lift (h3)	Retracted mast height (h1)	Free lift (h2)	Extended mast height (h4)
Duplex mast ZT	2560 mm	1756 mm	100 mm	3015 mm	
	2900 mm	1926 mm	100 mm	3355 mm	
Triplex mast DT	2050 mm	1213 mm	100 mm	2513 mm	
	2350 mm	1313 mm	100 mm	2813 mm	
	2500 mm	1363 mm	100 mm	2963 mm	
	2905 mm	1498 mm	100 mm	3368 mm	

VDI table

Characteristic	1.1	Manufacturer (abbreviated description)		Jungheinrich	
	1.2	Manufacturer's type designation		EJD 120	EJD 222
	1.3	Drive type		electric	
	1.4	Operation		Pedestrian	
	1.5	Load capacity/load	Q kg	2000	2200
	1.5.1	Rated capacity/load with mast lift	Q kg	1000	
	1.5.2	Rated capacity/load with support arm lift	Q kg	2000	2200
	1.6	Load centre distance	c mm	600	
	1.8	Load distance, centre of drive axle to fork	x mm	940	953
	1.9	Wheelbase	y mm	1495	1664
Weights	2.1	Netto weight	kg	662	725
	2.1.1	Service weight (incl. battery)	kg	812	935
	2.2	Axle load laden front/rear	kg	1081 / 1738	1116 / 2024
	2.3	Axle load unladen front/rear	kg	585 / 227	664 / 271
Wheels/suspension system	3.1	Tyres		Polyurethane (PU)	
	3.2	Tyre size, front		Ø 230 x 65	
	3.3	Tyre size, rear		Ø 85 x 95 / Ø 85 x 75	
	3.4	Additional wheels		Ø 100 x 40	
	3.5	Wheels, number front/back (x=driven)		1x +2/2 oder 4	
	3.6	Tread width, front	b10 mm	520	522
	3.7	Tread width, rear	b11 mm	350	385
Basic dimensions	4.2	Retracted mast height (h1)	h1 mm	1265	1306
	4.3	Free lift (h2)	h2 mm	90	100
	4.4	Lift (h3)	h3 mm	1660	
	4.5	Extended mast height (h4)	h4 mm	2116	2115
	4.6	Initial lift	h5 mm	120	
	4.9	Height of tiller handle in drive position min./max.	h14 mm	820 / 1237	750 / 1237
	4.15	Height, lowered	h13 mm	93	90
	4.19	Total length	l1 mm	1847	2046
	4.20	Length including fork shank	l2 mm	684	783
	4.21.1	total width	b1 mm	726	
	4.22	Fork dimensions	s/e/ l mm	56 x 185 x 1190	
	4.25	Width across forks	b5 mm	535	570
	4.32	Ground clearance centre of wheelbase	m2 mm	23	20
	4.34.1	Aisle width (pallet 1000x1200 sideways)	Ast mm	2469	2578
	4.34.2	Aisle width (pallet 800x1200 length)	Ast mm	2343	2447
4.35	Turning radius	Wa mm	1666	1776	

Performance data	5.1	Travel speed laden/unladen	km/h	6 / 6	
	5.2	Lift speed laden/unladen	m/s	0.14 / 0.25	
	5.3	Lowering speed laden/unladen	m/s	0.31 / 0.25	
	5.8	Max. gradeability laden/unladen	%	8 / 15	10 / 15
	5.10	Service brake		generative	
E-motor/Electronics	6.1	Drive motor, performance S2 60 min	kW	1.1	1.7
	6.2	Lift motor, performance with S3	kW	2.2	
	6.3	Battery according to DIN 43531/35/36		DIN 43535 B	
	6.4	Battery voltage/nominal capacity	V / Ah	24 / 150	24 / 250
	6.5	Battery weight	kg	150	210
	6.6	Energy consumption according to VDI cycle	kWh/h	0	
	6.6.1	Energy consumption according to EN cycle	kWh/h	0.54	0.61
	6.6.2	CO2 equivalent as per EN 16796	kg/h	0.3	
	6.7	Throughput	t/h	41	37
	6.8	Turnover efficiency according to VDI 2198	t/kWh	49	39
	6.8.1	Energy consumption with max. throughput	kWh/h	0.84	-
Other	8.1	Type of drive control		AC	
	10.7	Schalldruckpegel nach EN12053	dB (A)	67	

- This data sheet according to VDI guideline 2198 only states the technical values of the standard truck. Different tyres, other masts, additional equipment etc. may result in different values.

EJD 120:

The values in the table apply for the S-VBE battery compartment, ZT1660 mast, raised support arm lift.

- VDI no. 1.5: rated capacity in double-decker mode: support arm lift: 1.0 t / mast lift: 1.0 t.
- VDI no. 1.8: with lowered support arms: x + 56 mm.
- VDI no. 1.9: with lowered support arms: y + 56 mm; with M-VBE battery compartment: y + 74 mm, M Li-ion y + 142 mm.
- VDI no. 4.19: with M-VBE battery compartment: l1 ≥ 74 mm, M Li-ion: l1 + 142 mm.
- VDI no. 4.20: with M-VBE battery compartment: l2 ≥ 74 mm, M Li-ion: l2 + 142 mm.
- VDI no. 4.34.1: with lowered support arms: aisle width + 54 mm; with M-VBE battery compartment: aisle width + 74 mm; M Li-ion: aisle width + 142 mm.
- VDI no. 4.34.2: with lowered support arms: aisle width + 29 mm; with M-VBE battery compartment: aisle width + 74 mm; M Li-ion: aisle width + 142 mm.
- VDI no. 4.35: with lowered support arms: Wa + 56 mm; with M-VBE battery compartment: Wa + 74 mm; M Li-ion: Wa + 142 mm.
- VDI no. 5.2: lift speed laden / unladen for support arm lift: 0.05 / 0.05 km/h.
- VDI no. 5.3: lowering speed laden / unladen for support arm lift: 0.03 / 0.05 km/h.
- VDI no. 6.2: specified value with S3 = 5% power-on time.

EJD 222:

The values in the table apply for the M-LBE battery compartment, ZT1660 mast, raised support arm lift.

- VDI no. 1.5: rated capacity in double-decker mode: support arm lift: 1.0 t / mast lift: 1.0 t.
- VDI no. 1.8: with lowered support arms: x + 56 mm.
- VDI no. 1.9: with lowered support arms: y + 56 mm; with M-VBE battery compartment: y + 72 mm; with L-VBE battery compartment: y + 117 mm.
- VDI no. 4.19: with M-VBE battery compartment: l1 + 72 mm; with L-VBE battery compartment: l1 + 117 mm.
- VDI no. 4.20: with M-VBE battery compartment: l2 + 72 mm; with L-VBE battery compartment: l2 + 117 mm.

- VDI no. 4.34.1: with lowered support arms: aisle width + 54 mm; with M-VBE battery compartment: aisle width + 72 mm; with L-VBE battery compartment: aisle width + 117 mm.
- VDI no. 4.34.2: with lowered support arms: aisle width + 29 mm; with M-VBE battery compartment: aisle width + 72 mm; with L-VBE battery compartment: aisle width + 117 mm.
- VDI no. 4.35: with lowered support arms: $W_a + 56$ mm; with M-VBE battery compartment: $W_a + 72$ mm; with L-VBE battery compartment: $W_a + 117$ mm.
- VDI no. 5.2: lift speed laden / unladen for support arm lift: 0.05 / 0.05 km/h
- VDI no. 5.3: lowering speed laden / unladen for support arm lift: 0.025 / 0.05 km/h
- VDI no. 6.2: specified value with $S_3 = 5\%$ power-on time.

The German production facilities in
Norderstedt, Moosburg and Landsberg
are certified as well as our Genuine Parts
Center in Kaltenkirchen.

ISO 9001
ISO 14001

Jungheinrich fork lift trucks meet
European safety requirements.



 **JUNGHEINRICH**

The logo features a red upward-pointing arrow integrated into the letter 'J' of the word 'JUNGHEINRICH', which is written in a bold, black, sans-serif font.