



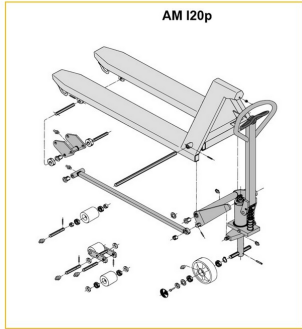
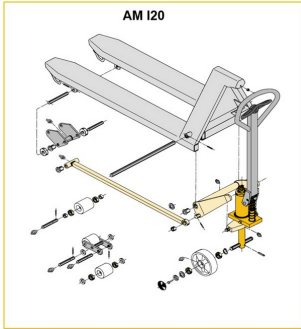
Hand pallet truck

AM 120 / 120p

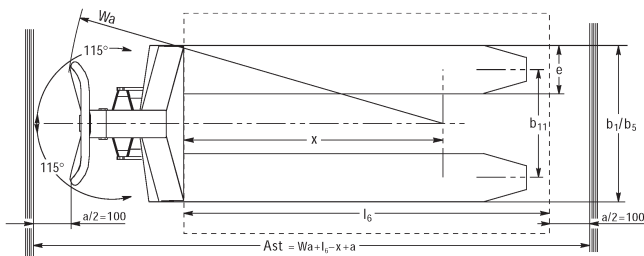
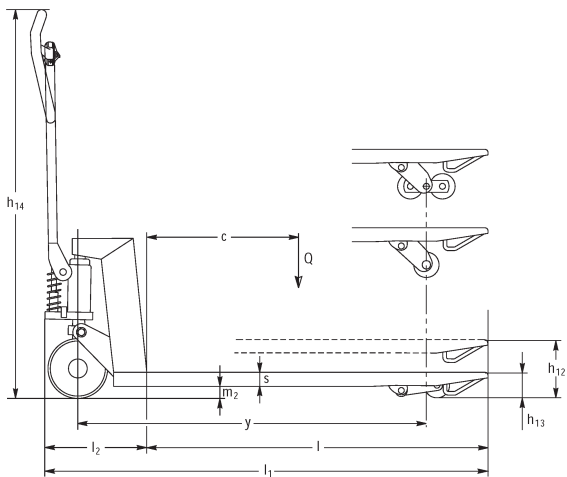
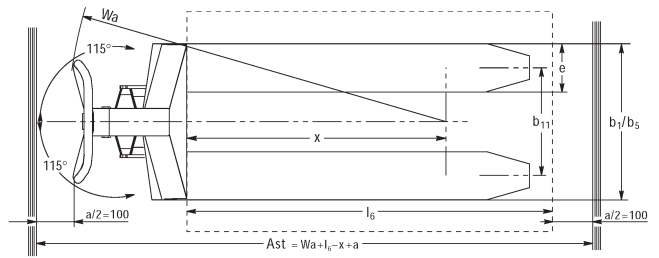
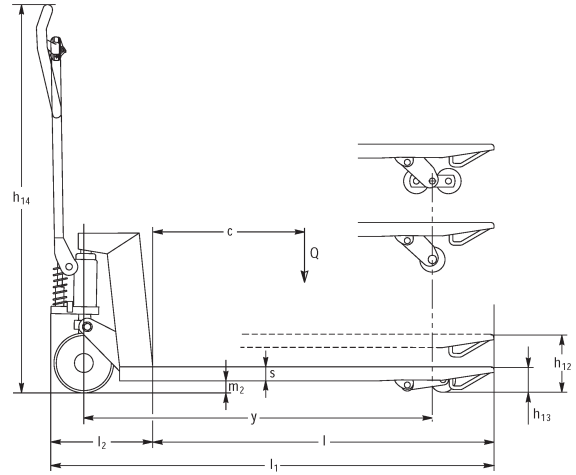
Lift height: 120 mm / Load capacity: 2000 kg

JUNGHEINRICH

AM 120 / 120p



Inox AISI 316 (V4A)	Feuerverzinkt
Inox AISI 303/304 (V2A)	Verzinkt und gelb chromatiert



VDI table

Characteristic	1.1	Manufacturer (abbreviated description)		Jungheinrich					
	1.2	Manufacturer's type designation		AM I20p					
	1.3	Drive type		Manual					
	1.4	Operation		Manual					
	1.5	Load capacity/load	Q kg	2000					
	1.6	Load centre distance	c mm	610			570		
	1.9	Wheelbase	y mm	1245			1165		
Weights	2.1	Netto weight	kg	81		78			
	2.1.1	Service weight (incl. battery)	kg	81		78		-	
Wheels/suspension system	3.1	Tyres		V-BV	N-BN	V-GV	N-GN	V-BV	N-BN
	3.2	Tyre size, front		Ø 200x50					
	3.3	Tyre size, rear		Ø 80x70	Ø 80x65	Ø 80x90		Ø 80x70	Ø 80x65
	3.5	Wheels, number front/back (x=driven)		2/2					
	3.6	Tread width, front	b10 mm	120					
	3.7	Tread width, rear	b11 mm	520					
	Basic dimensions	4.4	Lift (h3)	h3 mm	120				
4.9		Height of tiller handle in drive position min./max.	h14 mm	1170					
4.14		Stand height, elevated	h12 mm	205					
4.15		Height, lowered	h13 mm	85					
4.19		Total length	l1 mm	1555			1475		
4.21.1		total width	b1 mm	680					
4.22		Fork dimensions	s/e/l mm	51 x 160 x 1220			51 x 160 x 1140		
4.25		Width across forks	b5 mm	680					
4.32		Ground clearance centre of wheelbase	m2 mm	34					
4.34.1		Aisle width (pallet 1000x1200 sideways)	Ast mm	1610					
4.34.2		Aisle width (pallet 800x1200 length)	Ast mm	1830			1810		
4.35	Turning radius	Wa mm	1410			1330			
Performance data	5.3	Lowering speed laden/unladen	m/s	0.1 / 0.05					
- This data sheet according to VDI guideline 2198 only states the technical values of the standard truck. Different tyres, other masts, additional equipment etc. may result in different values.									

Characteristic	1.1	Manufacturer (abbreviated description)		Jungheinrich					
	1.2	Manufacturer's type designation		AM I20p					
	1.3	Drive type		Manual					
	1.4	Operation		Manual					
	1.5	Load capacity/load	Q kg	2000					
	1.6	Load centre distance	c mm	570	485				
	1.9	Wheelbase	y mm	1165	995				
Weights	2.1	Netto weight	kg	75	72	69			
	2.1.1	Service weight (incl. battery)	kg	-	72	69	66		
Wheels/suspension system	3.1	Tyres		C-GV	N-GN	V-BV	N-BN	V-GV	N-GN
	3.2	Tyre size, front		Ø 200x50					
	3.3	Tyre size, rear		Ø 80x90	Ø 80x70	Ø 80x65	Ø 80x90		
	3.5	Wheels, number front/back (x=driven)		2/2					
	3.6	Tread width, front	b10 mm	120					
	3.7	Tread width, rear	b11 mm	520					
	Basic dimensions	4.4	Lift (h3)	h3 mm	120				
4.9		Height of tiller handle in drive position min./max.	h14 mm	1170					
4.14		Stand height, elevated	h12 mm	205					
4.15		Height, lowered	h13 mm	85					
4.19		Total length	l1 mm	1475	1305				
4.21.1		total width	b1 mm	680					
4.22		Fork dimensions	s/ e/l mm	51 x 160 x 1140	51 x 160 x 970				
4.25		Width across forks	b5 mm	680					
4.32		Ground clearance centre of wheelbase	m2 mm	34					
4.34.1		Aisle width (pallet 1000x1200 sideways)	Ast mm	1610					
4.34.2	Aisle width (pallet 800x1200 length)	Ast mm	1810						
4.35	Turning radius	Wa mm	1330	1160					
Performance data	5.3	Lowering speed laden/unladen	m/s	0.1 / 0.05					
- This data sheet according to VDI guideline 2198 only states the technical values of the standard truck. Different tyres, other masts, additional equipment etc. may result in different values.									

Characteristic	1.1	Manufacturer (abbreviated description)		Jungheinrich					
	1.2	Manufacturer's type designation		AM 120p					
	1.3	Drive type		Manual					
	1.4	Operation		Manual					
	1.5	Load capacity/load	Q kg	2000					
	1.6	Load centre distance	c mm	405			610		
	1.9	Wheelbase	y mm	835			1245		
Weights	2.1	Netto weight	kg	69	65		75		
	2.1.1	Service weight (incl. battery)	kg	-			75		
Wheels/suspension system	3.1	Tyres		V-BV	N-BN	V-GV	N-GN	V-BV	N-BN
	3.2	Tyre size, front		Ø 200x50					
	3.3	Tyre size, rear		Ø 80x70	Ø 80x65	Ø 80x90		Ø 80x70	Ø 80x65
	3.5	Wheels, number front/back (x=driven)		2/2					
	3.6	Tread width, front	b10 mm	120					
	3.7	Tread width, rear	b11 mm	520			360		
	Basic dimensions	4.4	Lift (h3)	h3 mm	120				
4.9		Height of tiller handle in drive position min./max.	h14 mm	1170					
4.14		Stand height, elevated	h12 mm	205					
4.15		Height, lowered	h13 mm	85					
4.19		Total length	l1 mm	1145			1555		
4.21.1		total width	b1 mm	680			520		
4.22		Fork dimensions	s/e/l mm	51 x 160 x 810			51 x 160 x 1220		
4.25		Width across forks	b5 mm	680			520		
4.32		Ground clearance centre of wheelbase	m2 mm	34					
4.34.1		Aisle width (pallet 1000x1200 sideways)	Ast mm	1610					
4.34.2	Aisle width (pallet 800x1200 length)	Ast mm	1810			1830			
4.35	Turning radius	Wa mm	1000			1410			
Performance data	5.3	Lowering speed laden/unladen	m/s	0.1 / 0.05					
- This data sheet according to VDI guideline 2198 only states the technical values of the standard truck. Different tyres, other masts, additional equipment etc. may result in different values.									

Characteristic	1.1	Manufacturer (abbreviated description)		Jungheinrich					
	1.2	Manufacturer's type designation		AM I20p					
	1.3	Drive type		Manual					
	1.4	Operation		Manual					
	1.5	Load capacity/load	Q kg	2000					
	1.6	Load centre distance	c mm	610	570				
	1.9	Wheelbase	y mm	1245	1165				
Weights	2.1	Netto weight	kg	72			69		
	2.1.1	Service weight (incl. battery)	kg	72	-				
	2.2	Axle load laden front/rear	-	- / -				636 / 1432	
	2.3	Axle load unladen front/rear	-	- / -				21 / 47	
Wheels/suspension system	3.1	Tyres		V-GV	N-GN	V-BV	N-BN	V-GV	N-GN
	3.2	Tyre size, front		Ø 200x50					
	3.3	Tyre size, rear		Ø 80x90	Ø 80x70	Ø 80x65	Ø 80x90		
	3.5	Wheels, number front/back (x=driven)		2/2					
	3.6	Tread width, front	b10 mm	120					
	3.7	Tread width, rear	b11 mm	360					
	Basic dimensions	4.4	Lift (h3)	h3 mm	120				
4.9		Height of tiller handle in drive position min./max.	h14 mm	1170			1220 / 1170		
4.14		Stand height, elevated	h12 mm	205					
4.15		Height, lowered	h13 mm	85					
4.19		Total length	l1 mm	1555	1475				
4.20		Length including fork shank	l2 mm	-				340	
4.21.1		total width	b1 mm	520					
4.22		Fork dimensions	s/ e/l mm	51 x 160 x 1220	51 x 160 x 1140				
4.25		Width across forks	b5 mm	520					
4.32		Ground clearance centre of wheelbase	m2 mm	34					
4.34.1		Aisle width (pallet 1000x1200 sideways)	Ast mm	1610					
4.34.2	Aisle width (pallet 800x1200 length)	Ast mm	1830	1810					
4.35	Turning radius	Wa mm	1410	1330					
Performance data	5.3	Lowering speed laden/unladen	m/s	0.1 / 0.05					
- This data sheet according to VDI guideline 2198 only states the technical values of the standard truck. Different tyres, other masts, additional equipment etc. may result in different values.									

Characteristic	1.1	Manufacturer (abbreviated description)		Jungheinrich					
	1.2	Manufacturer's type designation		AM 120p					
	1.3	Drive type		Manual					
	1.4	Operation		Manual					
	1.5	Load capacity/load	Q kg	2000					
	1.6	Load centre distance	c mm	485			405		
	1.9	Wheelbase	y mm	995			835		
Weights	2.1	Netto weight	kg	66		63			
	2.1.1	Service weight (incl. battery)	kg	66		63		-	
Wheels/suspension system	3.1	Tyres		V-BV	N-BN	V-GV	N-GN	V-BV	N-BN
	3.2	Tyre size, front		Ø 200x50					
	3.3	Tyre size, rear		Ø 80x70	Ø 80x65	Ø 80x90		Ø 80x70	Ø 80x65
	3.5	Wheels, number front/back (x=driven)		2/2					
	3.6	Tread width, front	b10 mm	120					
	3.7	Tread width, rear	b11 mm	360			335		
	Basic dimensions	4.4	Lift (h3)	h3 mm	120				
4.9		Height of tiller handle in drive position min./max.	h14 mm	1170					
4.14		Stand height, elevated	h12 mm	205					
4.15		Height, lowered	h13 mm	85					
4.19		Total length	l1 mm	1305			1145		
4.21.1		total width	b1 mm	520					
4.22		Fork dimensions	s/e/l mm	51 x 160 x 970				51 x 160 x 810	
4.25		Width across forks	b5 mm	520					
4.32		Ground clearance centre of wheelbase	m2 mm	34					
4.34.1		Aisle width (pallet 1000x1200 sideways)	Ast mm	1610					
4.34.2		Aisle width (pallet 800x1200 length)	Ast mm	1810					
4.35	Turning radius	Wa mm	1160			1000			
Performance data	5.3	Lowering speed laden/unladen	m/s	0.1 / 0.05					
- This data sheet according to VDI guideline 2198 only states the technical values of the standard truck. Different tyres, other masts, additional equipment etc. may result in different values.									

Characteristic	1.1	Manufacturer (abbreviated description)		Jungheinrich				
	1.2	Manufacturer's type designation		AM I20p	AM I20			
	1.3	Drive type		Manual				
	1.4	Operation		Manual				
	1.5	Load capacity/load	Q kg	2000				
	1.6	Load centre distance	c mm	405				
	1.9	Wheelbase	y mm	835				
Weights	2.1	Netto weight	kg	59			63	
	2.1.1	Service weight (incl. battery)	kg	-	59			63
Wheels/suspension system	3.1	Tyres		V-GV	N-GN	V-GV	N-BN	V-BV
	3.2	Tyre size, front		Ø 200x50				
	3.3	Tyre size, rear		Ø 80x90			Ø 80x65	Ø 80x70
	3.5	Wheels, number front/back (x=driven)		2/2				
	3.6	Tread width, front	b10 mm	120				
	3.7	Tread width, rear	b11 mm	335	360			
	Basic dimensions	4.4	Lift (h3)	h3 mm	120			
4.9		Height of tiller handle in drive position min./max.	h14 mm	1170				
4.14		Stand height, elevated	h12 mm	205	200			
4.15		Height, lowered	h13 mm	85				
4.19		Total length	l1 mm	1145				
4.21.1		total width	b1 mm	520				
4.22		Fork dimensions	s/ e/l mm	51 x 160 x 810				
4.25		Width across forks	b5 mm	520				
4.32		Ground clearance centre of wheelbase	m2 mm	34	38			
4.34.1		Aisle width (pallet 1000x1200 sideways)	Ast mm	1610				
4.34.2		Aisle width (pallet 800x1200 length)	Ast mm	1810				
4.35	Turning radius	Wa mm	1000					
Performance data	5.3	Lowering speed laden/unladen	m/s	0.1 / 0.05				
- This data sheet according to VDI guideline 2198 only states the technical values of the standard truck. Different tyres, other masts, additional equipment etc. may result in different values.								

Characteristic	1.1	Manufacturer (abbreviated description)		Jungheinrich					
	1.2	Manufacturer's type designation		AM I20					
	1.3	Drive type		Manual					
	1.4	Operation		Manual					
	1.5	Load capacity/load	Q kg	2000					
	1.6	Load centre distance	c mm	485			570		
	1.9	Wheelbase	y mm	995			1165		
Weights	2.1	Netto weight	kg	63	66	69			
	2.1.1	Service weight (incl. battery)	kg	63	66	69			
	2.2	Axle load laden front/rear	-	- / -		636 / 1432		- / -	
	2.3	Axle load unladen front/rear	-	- / -		21 / 47		- / -	
Wheels/suspension system	3.1	Tyres		N-GN	V-GV	N-BN	V-BV	N-GN	V-GV
	3.2	Tyre size, front		Ø 200x50					
	3.3	Tyre size, rear		Ø 80x90	Ø 80x65	Ø 80x70	Ø 80x90		
	3.5	Wheels, number front/back (x=driven)		2/2					
	3.6	Tread width, front	b10 mm	120					
	3.7	Tread width, rear	b11 mm	360					
	Basic dimensions	4.4	Lift (h3)	h3 mm	120				
4.9		Height of tiller handle in drive position min./max.	h14 mm	1170					
4.14		Stand height, elevated	h12 mm	200					
4.15		Height, lowered	h13 mm	85					
4.19		Total length	l1 mm	1305			1475		
4.20		Length including fork shank	l2 mm	-			340		-
4.21.1		total width	b1 mm	520					
4.22		Fork dimensions	s/ e/l mm	51 x 160 x 970			51 x 160 x 1140		
4.25		Width across forks	b5 mm	520					
4.32		Ground clearance centre of wheelbase	m2 mm	38					
4.34.1		Aisle width (pallet 1000x1200 sideways)	Ast mm	1610					
4.34.2		Aisle width (pallet 800x1200 length)	Ast mm	1810					
4.35	Turning radius	Wa mm	1160			1330			
Performance data	5.3	Lowering speed laden/unladen	m/s	0.1 / 0.05					
- This data sheet according to VDI guideline 2198 only states the technical values of the standard truck. Different tyres, other masts, additional equipment etc. may result in different values.									

Characteristic	1.1	Manufacturer (abbreviated description)		Jungheinrich					
	1.2	Manufacturer's type designation		AM 120					
	1.3	Drive type		Manual					
	1.4	Operation		Manual					
	1.5	Load capacity/load	Q kg	2000					
	1.6	Load centre distance	c mm	570	610				
	1.9	Wheelbase	y mm	1165	1245				
Weights	2.1	Netto weight	kg	72				75	
	2.1.1	Service weight (incl. battery)	kg	72				75	
Wheels/suspension system	3.1	Tyres		N-BN	V-BV	N-GN	V-GV	N-BN	V-BV
	3.2	Tyre size, front		Ø 200x50					
	3.3	Tyre size, rear		Ø 80x65	Ø 80x70	Ø 80x90		Ø 80x65	Ø 80x90
	3.5	Wheels, number front/back (x=driven)		2/2					
	3.6	Tread width, front	b10 mm	120					
	3.7	Tread width, rear	b11 mm	360					
	Basic dimensions	4.4	Lift (h3)	h3 mm	120				
4.9		Height of tiller handle in drive position min./max.	h14 mm	1170					
4.14		Stand height, elevated	h12 mm	200					
4.15		Height, lowered	h13 mm	85					
4.19		Total length	l1 mm	1475	1555				
4.21.1		total width	b1 mm	520					
4.22		Fork dimensions	s/e/l mm	51 x 160 x 1140	51 x 160 x 1220				
4.25		Width across forks	b5 mm	520					
4.32		Ground clearance centre of wheelbase	m2 mm	38					
4.34.1		Aisle width (pallet 1000x1200 sideways)	Ast mm	1610					
4.34.2		Aisle width (pallet 800x1200 length)	Ast mm	1810	1830				
4.35	Turning radius	Wa mm	1330	1410					
Performance data	5.3	Lowering speed laden/unladen	m/s	0.1 / 0.05					
- This data sheet according to VDI guideline 2198 only states the technical values of the standard truck. Different tyres, other masts, additional equipment etc. may result in different values.									

Characteristic	1.1	Manufacturer (abbreviated description)		Jungheinrich					
	1.2	Manufacturer's type designation		AM I20					
	1.3	Drive type		Manual					
	1.4	Operation		Manual					
	1.5	Load capacity/load	Q kg	2000					
	1.6	Load centre distance	c mm	405			485		
	1.9	Wheelbase	y mm	835			995		
Weights	2.1	Netto weight	kg	65			69		
	2.1.1	Service weight (incl. battery)	kg	65			69		
Wheels/suspension system	3.1	Tyres		N-GN	V-GV	V-BV	N-BN	N-GN	V-GV
	3.2	Tyre size, front		Ø 200x50					
	3.3	Tyre size, rear		Ø 80x90		Ø 80x70	Ø 80x65	Ø 80x90	
	3.5	Wheels, number front/back (x=driven)		2/2					
	3.6	Tread width, front	b10 mm	120					
	3.7	Tread width, rear	b11 mm	520					
	Basic dimensions	4.4	Lift (h3)	h3 mm	120				
4.9		Height of tiller handle in drive position min./max.	h14 mm	1170					
4.14		Stand height, elevated	h12 mm	200					
4.15		Height, lowered	h13 mm	85					
4.19		Total length	l1 mm	1145			1305		
4.21.1		total width	b1 mm	680					
4.22		Fork dimensions	s/ e/l mm	51 x 160 x 810			51 x 160 x 970		
4.25		Width across forks	b5 mm	680					
4.32		Ground clearance centre of wheelbase	m2 mm	38					
4.34.1		Aisle width (pallet 1000x1200 sideways)	Ast mm	1610					
4.34.2		Aisle width (pallet 800x1200 length)	Ast mm	1810					
4.35	Turning radius	Wa mm	1000			1160			
Performance data	5.3	Lowering speed laden/unladen	m/s	0.1 / 0.05					
- This data sheet according to VDI guideline 2198 only states the technical values of the standard truck. Different tyres, other masts, additional equipment etc. may result in different values.									

Characteristic	1.1	Manufacturer (abbreviated description)		Jungheinrich					
	1.2	Manufacturer's type designation		AM 120					
	1.3	Drive type		Manual					
	1.4	Operation		Manual					
	1.5	Load capacity/load	Q kg	2000					
	1.6	Load centre distance	c mm	485	570				
	1.9	Wheelbase	y mm	995	1165				
Weights	2.1	Netto weight	kg	72	75		78		
	2.1.1	Service weight (incl. battery)	kg	72	75		78		
Wheels/suspension system	3.1	Tyres		N-BN	V-BV	N-GN	V-GV	N-BN	V-BV
	3.2	Tyre size, front		Ø 200x50					
	3.3	Tyre size, rear		Ø 80x65	Ø 80x70	Ø 80x90		Ø 80x65	Ø 80x70
	3.5	Wheels, number front/back (x=driven)		2/2					
	3.6	Tread width, front	b10 mm	120					
	3.7	Tread width, rear	b11 mm	520					
	Basic dimensions	4.4	Lift (h3)	h3 mm	120				
4.9		Height of tiller handle in drive position min./max.	h14 mm	1170					
4.14		Stand height, elevated	h12 mm	200					
4.15		Height, lowered	h13 mm	85					
4.19		Total length	l1 mm	1305	1475				
4.21.1		total width	b1 mm	680					
4.22		Fork dimensions	s/e/l mm	51 x 160 x 970		51 x 160 x 1140			
4.25		Width across forks	b5 mm	680					
4.32		Ground clearance centre of wheelbase	m2 mm	38					
4.34.1		Aisle width (pallet 1000x1200 sideways)	Ast mm	1610					
4.34.2		Aisle width (pallet 800x1200 length)	Ast mm	1810					
4.35	Turning radius	Wa mm	1160	1330					
Performance data	5.3	Lowering speed laden/unladen	m/s	0.1 / 0.05					
- This data sheet according to VDI guideline 2198 only states the technical values of the standard truck. Different tyres, other masts, additional equipment etc. may result in different values.									

Characteristic	1.1	Manufacturer (abbreviated description)		Jungheinrich				
	1.2	Manufacturer's type designation		AM I20				
	1.3	Drive type		Manual				
	1.4	Operation		Manual				
	1.5	Load capacity/load	Q	kg	2000			
	1.6	Load centre distance	c	mm	610			
	1.9	Wheelbase	y	mm	1245			
Weights	2.1	Netto weight		kg	78	81		
	2.1.1	Service weight (incl. battery)		kg	78	81		
Wheels/suspension system	3.1	Tyres			N-GN	V-GV	V-BV	N-BN
	3.2	Tyre size, front			Ø 200x50			
	3.3	Tyre size, rear			Ø 80x90			Ø 80x65
	3.5	Wheels, number front/back (x=driven)			2/2			
	3.6	Tread width, front	b10	mm	120			
	3.7	Tread width, rear	b11	mm	520			
	Basic dimensions	4.4	Lift (h3)	h3	mm	120		
4.9		Height of tiller handle in drive position min./max.	h14	mm	1170			
4.14		Stand height, elevated	h12	mm	200			
4.15		Height, lowered	h13	mm	85			
4.19		Total length	l1	mm	1555			
4.21.1		total width	b1	mm	680			
4.22		Fork dimensions	s/ e/l	mm	51 x 160 x 1220			
4.25		Width across forks	b5	mm	680			
4.32		Ground clearance centre of wheelbase	m2	mm	38			
4.34.1		Aisle width (pallet 1000x1200 sideways)	Ast	mm	1610			
4.34.2		Aisle width (pallet 800x1200 length)	Ast	mm	1830			
4.35		Turning radius	Wa	mm	1410			
Performance data	5.3	Lowering speed laden/unladen		m/s	0.1 / 0.05			
- This data sheet according to VDI guideline 2198 only states the technical values of the standard truck. Different tyres, other masts, additional equipment etc. may result in different values.								

The German production facilities in
Norderstedt, Moosburg and Landsberg
are certified as well as our Genuine Parts
Center in Kaltenkirchen.

ISO 9001
ISO 14001

Jungheinrich fork lift trucks meet
European safety requirements.



 **JUNGHEINRICH**

The Jungheinrich logo, featuring a red upward-pointing arrow integrated into the letter 'J', followed by the brand name 'JUNGHEINRICH' in a bold, black, sans-serif font.