



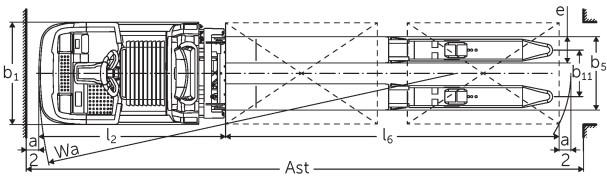
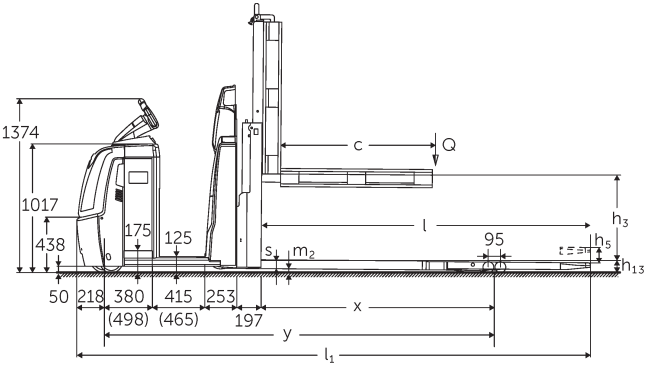
## Low level order pickers with ergonomic lift

### **ECD 320**

Lift height: 700-1500 mm / Load capacity: 2000 kg



# ECD 320



ECD 320 NOC 2016 Techn Zeichng

## VDI table

Characteristic	1.1	Manufacturer (abbreviated description)		Jungheinrich
	1.2	Manufacturer's type designation		ECD 320
	1.3	Drive		electric
	1.4	Operation		Order pickers
	1.5	Load capacity/load	Q kg	2000
	1.6	Load centre distance	c mm	1300
	1.8	Load distance, centre of drive axle to fork	x mm	1718
	1.9	Wheelbase	y mm	2981
	Weights	2.1.1	Service weight (incl. battery)	kg
2.2		Axle load laden front/rear	kg	1155 / 2080
2.3		Axle load unladen front/rear	kg	920 / 315
Wheels/suspension system	3.1	Tyres		Polyurethane (PU)
	3.2	Tyre size, front		Ø 230 x 78
	3.3	Tyre size, rear		Ø 85 x 85
	3.4	Additional wheels		Ø 180 x 65
	3.5	Wheels, number front/back (x=driven)		1+1x/4
	3.6	Tread width, front	b10 mm	481
	3.7	Tread width, rear	b11 mm	368
Basic dimensions	4.4	Lift (h3)	h3 mm	700
	4.9	Height of tiller handle in drive position min./max.	h14 mm	1374 / 1418
	4.15	Height, lowered	h13 mm	90
	4.19	Overall length	l1 mm	4081
	4.20	Length including fork shank	l2 mm	1480
	4.21.1	total width	b1 mm	810
	4.22	Fork dimensions	s/e/l mm	65 x 172 x 2600
	4.25	Width across forks	b5 mm	540
	4.32	Ground clearance centre of wheelbase	m2 mm	25
	4.34.2	Aisle width (pallet 800x1200 length)	Ast mm	4281
4.35	Turning radius	Wa mm	3199	
Performance data	5.1	Travel speed laden/unladen (Efficiency   drivePLUS)	km/h	9.2 / 12.5   9.2 / 14
	5.2	Lift speed laden/unladen	m/s	0.07 / 0.11
	5.3	Lowering speed laden/unladen	m/s	0.07 / 0.06
	5.8	Max. gradeability laden/unladen (Efficiency   drivePLUS)	%	6 / 15   6 / 15
	5.10	Service brake		generative

E-motor/Electronics	6.1	Drive motor, performance S2 60 min (Efficiency   drivePLUS)	kW	2.8   3.2
	6.2	Lift motor, performance with S3	kW	1.5
	6.4	Battery voltage/nominal capacity	V / Ah	24 / 465
	6.5	Battery weight	kg	370
	6.6.1	Energy consumption according to EN cycle	kWh/h	0.53
	6.6.2	CO2 equivalent as per EN 16796	kg/h	0.3
	6.7	Throughput	t/h	136
	6.8.1	Energy consumption with max. throughput	kWh/h	1.36
Other	8.1	Type of drive control		AC
	10.5	Steering version		electric
	10.7	Schalldruckpegel nach EN12053	dB (A)	62
- This data sheet according to VDI guideline 2198 only states the technical values of the standard truck. Different tyres, other masts, additional equipment etc. may result in different values.				

Values for L battery compartment; fork length 2,450 mm; lift 700 mm; raised load section.

- VDI no. 1.8: with lowered load section:  $x + 82$  mm.
- VDI no. 1.9: with XL or XL (ERE) battery compartment:  $y + 118$  mm; with extended stand-on platform:  $y + 50$  mm; with lowered load section:  $y + 82$  mm.
- VDI no. 4.19: with XL or XL (ERE) battery compartment:  $l1 + 118$  mm; with extended stand-on platform:  $l1 + 50$  mm.
- VDI no. 4.20: with XL or XL (ERE) battery compartment:  $l2 + 118$  mm; with extended stand-on platform:  $l2 + 50$  mm.
- VDI no. 4.34.2: with XL or XL (ERE) battery compartment: aisle width + 118 mm; with extended stand-on platform: aisle width + 50 mm; diagonal as per VDI: aisle width + 94 mm.
- VDI no. 4.35: with XL or XL (ERE) battery compartment:  $Wa + 118$  mm; with extended stand-on platform:  $Wa + 50$  mm; with lowered load section:  $Wa + 82$  mm.
- VDI no. 6.2: with S3 10%.
- VDI no. 6.4: with XL battery compartment: 24 V / 620 Ah.
- VDI no. 6.5: with XL battery compartment: 460 kg.