

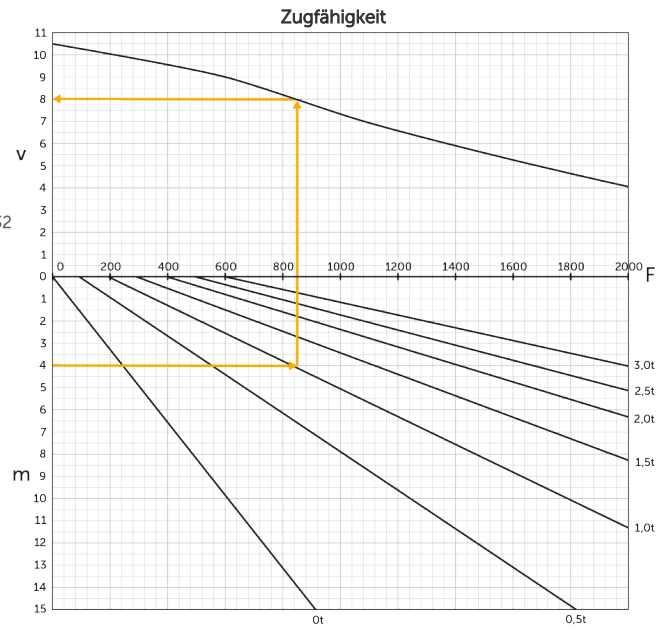
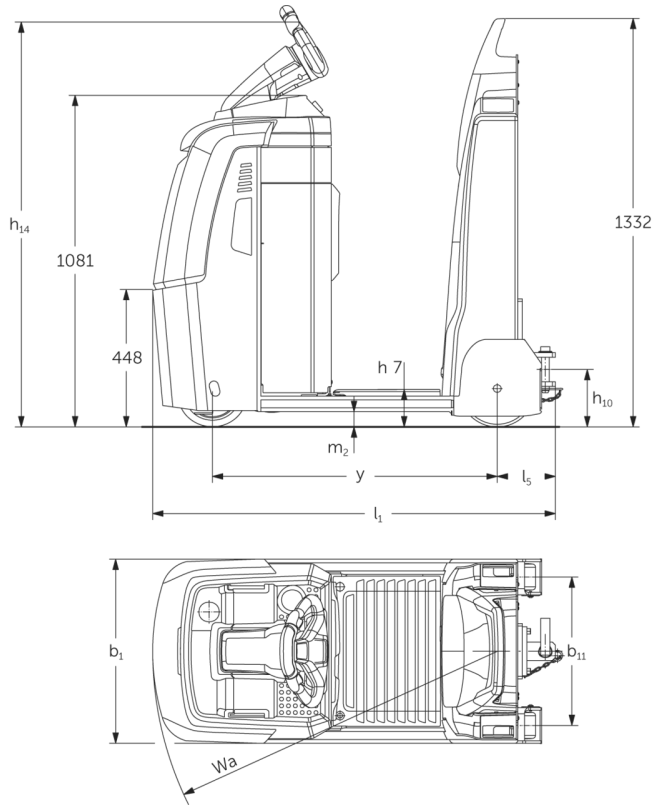


Electric tow tractor EZS 130

LION
technology

JUNGHEINRICH

EZS 130



VDI table

Characteristic	1.1	Manufacturer (abbreviated description)		Jungheinrich
	1.2	Manufacturer's type designation		EZS 1
	1.3	Drive		Electric
	1.4	Operation		Stand-on
	1.5.3	Towing capacity	Q kg	3000
	1.7	Rated drawbar pull	N	600
	1.9	Wheelbase	y mm	930
Weights	2.1.1	Service weight (incl. battery)	kg	525
	2.3	Axle load unladen front/rear	kg	320 / 205
Wheels/suspension system	3.1	Tyres		Polyurethane / Super-elastic
	3.2	Tyre size, front		ø230 x 78
	3.3	Tyre size, rear		ø250 x 80
	3.5	Wheels, number front/back (x=driven)		1 x / 2
	3.7	Tread width, rear	b11 mm	485
Basic dimensions	4.8	Seat height/stand height	h7 mm	122
	4.9	Height of tiller handle in drive position min./max.	h14 mm	1320
	4.12	Coupling height	h10 mm	158
	4.19	total length	l1 mm	1315
	4.21.1	total width	b1 mm	600
	4.32	Ground clearance centre of wheelbase	m2 mm	50
	4.35	Turning radius	Wa mm	1126
Performance data	5.1	Travel speed laden/unladen	km/h	9 / 10.5
	5.1.1	Reverse travel speed with/without load	km/h	6 / 6
	5.5	Drawbar pull laden	N	600
	5.6	Max. drawbar pull laden/unladen	N	2000 / 2000
	5.10	Service brake		electromagnetic/generative

E-motor/Electronics	6.1	Drive motor, performance S2 60 min	kW	2.8
	6.4	Battery voltage/nominal capacity	V / Ah	24 / 200
	6.5	Battery weight	kg	185
	6.6.1	Energy consumption according to EN cycle	kWh/h	0.75
	6.6.2	CO2 equivalent as per EN 16796	kg/h	0.4
Other	8.1	Type of drive control		AC speedCONTROL
	10.5	Steering version		electric
	10.7	Sound level as per EN12053, operator's ear	dB (A)	57
- This data sheet according to VDI guideline 2198 only states the technical values of the standard truck. Different tyres, other masts, additional equipment etc. may result in different values.				

- VDI no. 4.9: the height applies to the version with jetPILOT
- VDI no. 4.12: the value for the coupling height applies to a single plug-in coupling
- VDI no. 4.19: The specification for the overall length contains a single plug-in coupling

The German production facilities in
Norderstedt, Moosburg and Landsberg
are certified as well as our Genuine Parts
Center in Kaltenkirchen. ISO 9001
ISO 14001

 **JUNGHEINRICH**