

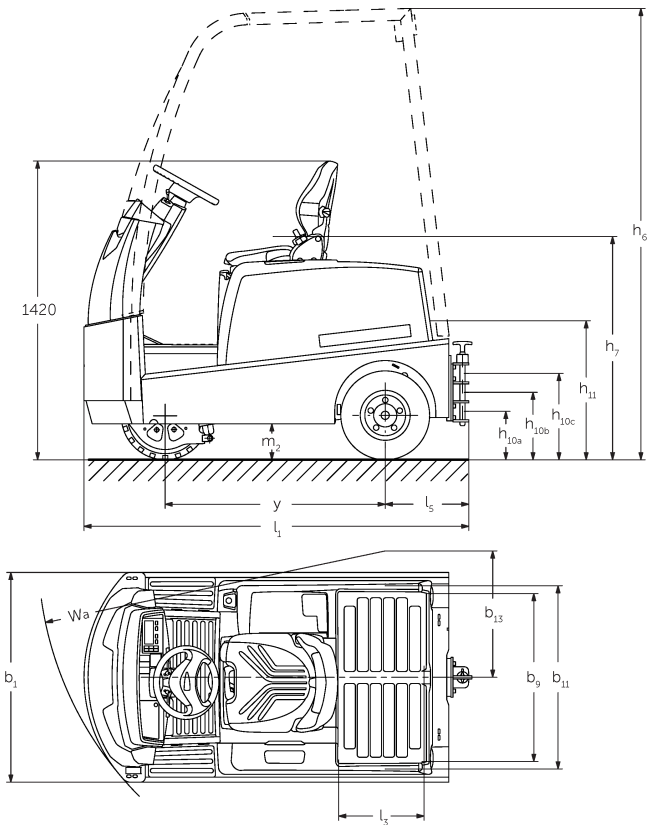


Electric tow tractor EZS 570-5100

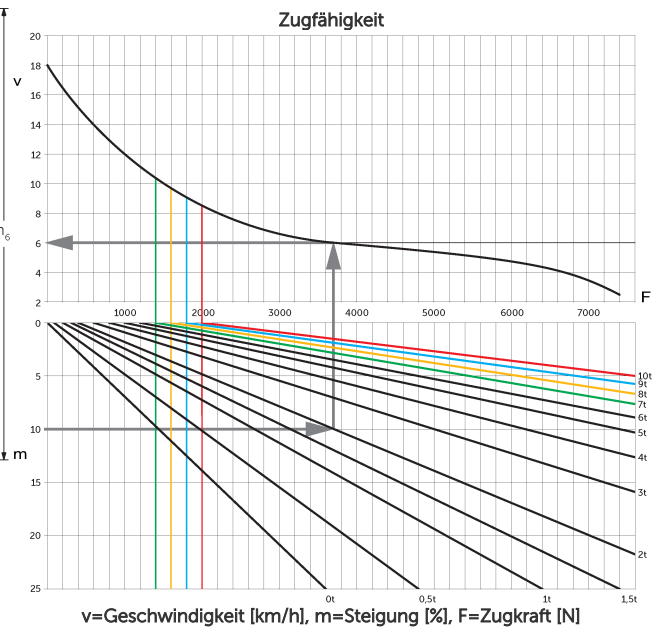
LION
technology

JUNGHEINRICH

EZS 570-5100



EZS 580, technische Zeichnung, Typenblatt



VDI table

| | | | | | | | |
|--------------------------|-------------------------------|--|--------------------------------|--------------------|-------------|-------------|-------------|
| Characteristic | 1.1 | Manufacturer (abbreviated description) | | Jungheinrich | | | |
| | 1.2 | Manufacturer's type designation | | EZS 5 | | | |
| | 1.3 | Drive | | Electric | | | |
| | 1.4 | Operation | | Seat | | | |
| | 1.5.3 | Towing capacity | Q kg | 7000 | 8000 | 9000 | 10000 |
| | 1.7 | Rated drawbar pull | N | 1400 | 1600 | 1800 | 2000 |
| 1.9 | Wheelbase | y mm | 1035 | | | 1250 | |
| Weights | 2.1.1 | Service weight (incl. battery) | kg | 1260 | 1320 | 1410 | 1825 |
| | 2.3 | Axle load unladen front/rear | kg | 580 / 680 | 580 / 740 | 620 / 790 | 880 / 945 |
| Wheels/suspension system | 3.1 | Tyres | | Super-elastic (SE) | | | |
| | 3.2 | Tyre size, front | | 4.00-8 | 16x6-8 | | 16x6-8 |
| | 3.3 | Tyre size, rear | | 4.00-8 | | | |
| | 3.5 | Wheels, number front/back (x=driven) | | 1 / 2x | | | |
| | 3.6 | Tread width, front | b10 mm | 0 | | | |
| | 3.7 | Tread width, rear | b11 mm | 870 | | | |
| | Basic dimensions | 4.7 | Height of overhead guard (cab) | h6 mm | 2150 | | 2140 |
| 4.8 | | Seat height/stand height | h7 mm | 1040 | | | |
| 4.12 | | Coupling height | h10 mm | 265 | | | |
| 4.12.1 | | 2. Coupling height | mm | 330 | | | |
| 4.12.2 | | 3. Coupling height | mm | 395 | | | |
| 4.13 | | Loading height, unladen | mm | 650 | 640 | | |
| 4.16 | | Loading area length | l3 mm | 400 | | | |
| 4.17 | | Overhang length | mm | 375 | | | |
| 4.18 | | Loading area width | b9 mm | 795 | | | |
| 4.19 | | total length | l1 mm | 1828 | | 2048 | |
| 4.21.1 | | total width | b1 mm | 996 | | | |
| 4.32 | | Ground clearance centre of wheelbase | m2 mm | 160 | 130 | | |
| 4.35 | | Turning radius | Wa mm | 1652 | | 1866 | |
| 4.36 | Smallest pivot point distance | b13 mm | 600 | | 665 | | |
| Performance data | 5.1 | Travel speed laden/unladen | km/h | 9 / 18 | 8.5 / 18 | | 7.5 / 18 |
| | 5.5 | Drawbar pull laden | N | 1400 | 1600 | 1800 | 2000 |
| | 5.6 | Max. drawbar pull laden/unladen | N | 5500 / 5500 | 6500 / 6500 | 7500 / 7500 | 7600 / 7600 |
| | 5.10 | Service brake | | electric | | | |

| | | | | | | | |
|--|-------|--|--------|------------|-----|------|----------|
| E-motor/Electronics | 6.1 | Drive motor, performance S2 60 min | kW | 4.5 | | | |
| | 6.4 | Battery voltage/nominal capacity | V / Ah | 48 / 375 | | | 48 / 625 |
| | 6.5 | Battery weight | kg | 575 | | | 860 |
| | 6.6 | Energy consumption according to VDI cycle | kWh/h | 0 | | | |
| | 6.6.1 | Energy consumption according to EN cycle | kWh/h | 1.33 | 1.5 | 1.67 | 1.84 |
| | 6.6.2 | CO2 equivalent as per EN 16796 | kg/h | 0.7 | 0.8 | 0.9 | 1 |
| Other | 8.1 | Type of drive control | | Impulse/AC | | | |
| | 10.7 | Sound level as per EN12053, operator's ear | dB (A) | 62 | | | |
| <p>- This data sheet according to VDI guideline 2198 only states the technical values of the standard truck. Different tyres, other masts, additional equipment etc. may result in different values.</p> | | | | | | | |

The German production facilities in
Norderstedt, Moosburg and Landsberg
are certified as well as our Genuine Parts
Center in Kaltenkirchen. ISO 9001
ISO 14001

**JUNGHEINRICH**