

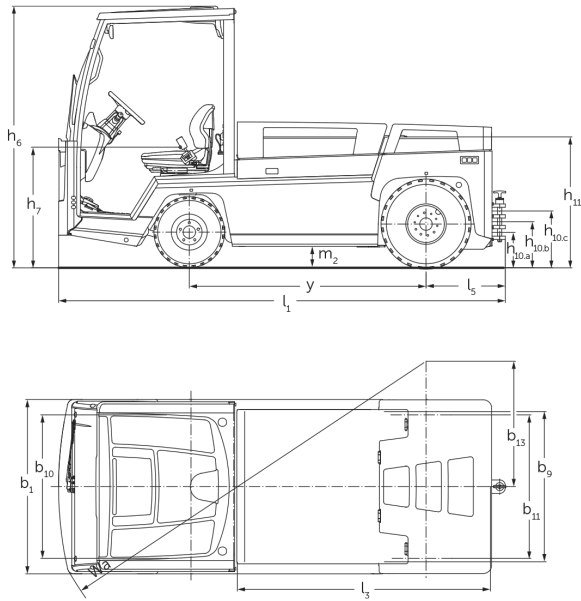


Electric tow tractor EZS 7280

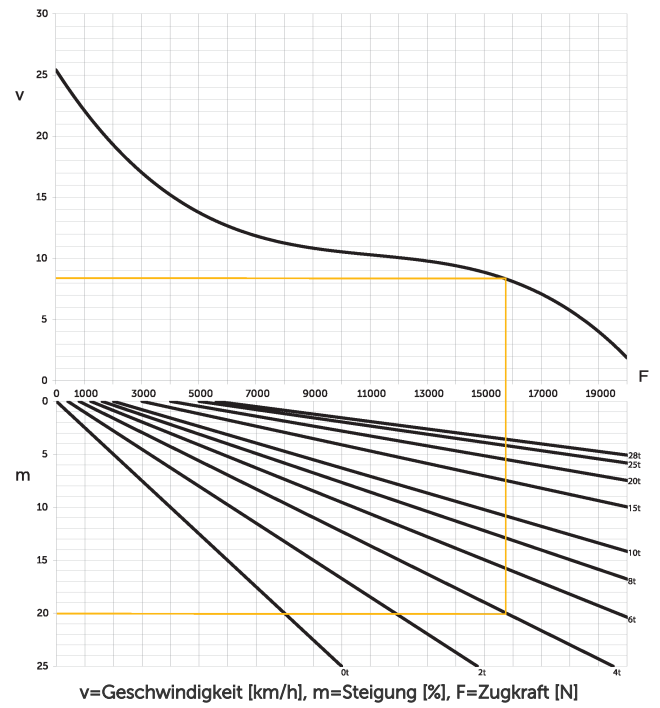
LI-ION
technology

JUNGHEINRICH

EZS 7280



Zugfähigkeit



VDI table

Characteristic	1.1	Manufacturer (abbreviated description)		Jungheinrich		
	1.2	Manufacturer's type designation		EZS 7280		
	1.3	Drive		Electric		
	1.4	Operation		Seat		
	1.5.3	Towing capacity	Q kg	28000		
	1.7	Rated drawbar pull	N	5600		
	1.9	Wheelbase	y mm	1465	1755	
Weights	2.1.1	Service weight (incl. battery)	kg	4088	4796	
	2.3	Axle load unladen front/rear	kg	2100 / 1988	2446 / 2350	
Wheels/suspension system	3.1	Tyres		Air		
	3.2	Tyre size, front		6.00 R9		
	3.3	Tyre size, rear		7.00 R12		
	3.5	Wheels, number front/back (x=driven)		2 / 2 x		
	3.6	Tread width, front	b10 mm	1070		
	3.7	Tread width, rear	b11 mm	1070		
	Basic dimensions	4.7	Height of overhead guard (cab)	h6 mm	1970	
4.8		Seat height/stand height	h7 mm	880		
4.12		Coupling height	h10 mm	240		
4.12.1		2. Coupling height	mm	320		
4.12.2		3. Coupling height	mm	400		
4.13		Loading height, unladen	mm	1000		
4.16		Loading area length	l3 mm	1536	1826	
4.17		Overhang length	mm	610		
4.18		Loading area width	b9 mm	1090		
4.19		total length	l1 mm	3045	3335	
4.21.1		total width	b1 mm	1300		
4.32		Ground clearance centre of wheelbase	m2 mm	150		
4.35		Turning radius	Wa mm	2847	3178	
4.36	Smallest pivot point distance	b13 mm	935	1095		
Performance data	5.1	Travel speed laden/unladen	km/h	12 / 25		
	5.1.1	Reverse travel speed with/without load	km/h	10 / 10		
	5.5	Drawbar pull laden	N	5600		
	5.6	Max. drawbar pull laden/unladen	N	19000 / 19000		
	5.10	Service brake		hydraulic/electric		

E-motor/Electronics	6.1	Drive motor, performance S2 60 min	kW	20	
	6.4	Battery voltage/nominal capacity	V / Ah	80 / 620	80 / 930
	6.5	Battery weight	kg	1560	2180
	6.6	Energy consumption according to VDI cycle	kWh/h	0	
Other	8.1	Type of drive control		3-phase AC technology	
	10.7	Sound level as per EN12053, operator's ear	dB (A)	60	
- This data sheet according to VDI guideline 2198 only states the technical values of the standard truck. Different tyres, other masts, additional equipment etc. may result in different values.					

- VDI no. 4.12: the value for the coupling height applies to a triple coupling
- VDI no. 4.19: the specification for the overall length includes a triple coupling
- VDI no. 5.1: with a towing capacity of 25 t, the travel speed is 13 km/h
- VDI no. 10.7: the specification applies with deactivated ventilation / heating

The German production facilities in
Norderstedt, Moosburg and Landsberg ISO 9001
are certified as well as our Genuine Parts ISO 14001
Center in Kaltenkirchen.

**JUNGHEINRICH**