



Electric three-wheel counterbalance forklift truck

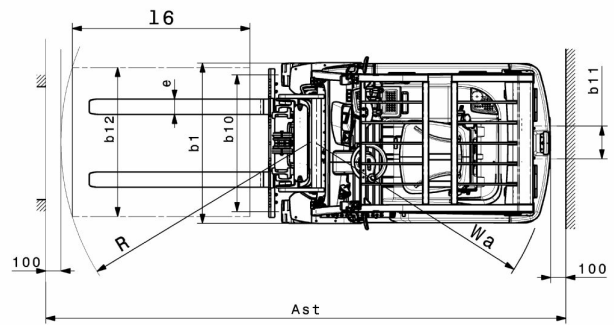
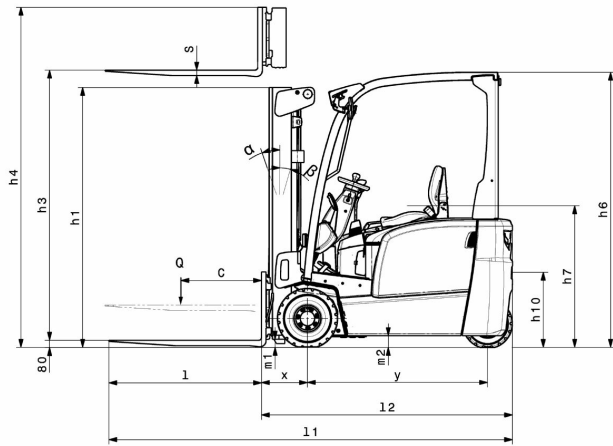
EFG BB 216k

Lift height: 3000-6500 mm / Load capacity: 1600 kg

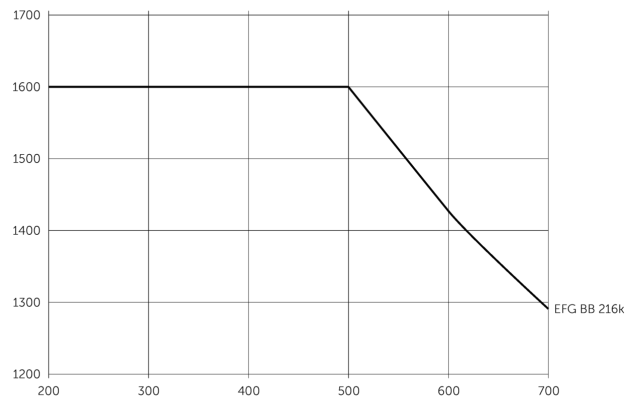
LI-ION
technology

JUNGHEINRICH

EFG BB 216k



Tragfähigkeit (kg)



Schwerpunktabstand "c" in mm

EFG BB 216k

| EFG BB 216k | Lift (h3) | Retracted mast height (h1) | Free lift (h2) | Extended mast height (h4) | Forward/backward tilt of mast |
|-----------------|-----------|----------------------------|----------------|---------------------------|-------------------------------|
| Duplex mast ZT | 3000 mm | 2000 mm | 150 mm | 3555 mm | 7 / 5 ° |
| | 3300 mm | 2150 mm | 150 mm | 3855 mm | 7 / 5 ° |
| | 3600 mm | 2300 mm | 150 mm | 4155 mm | 7 / 5 ° |
| | 4000 mm | 2500 mm | 150 mm | 4555 mm | 7 / 5 ° |
| | 4500 mm | 2800 mm | 150 mm | 5055 mm | 7 / 5 ° |
| | 5000 mm | 3050 mm | 150 mm | 5555 mm | 7 / 5 ° |
| Duplex mast ZZ | 3300 mm | 2105 mm | 1470 mm | 3855 mm | 7 / 5 ° |
| | 3600 mm | 2255 mm | 1620 mm | 4155 mm | 7 / 5 ° |
| | 4000 mm | 2455 mm | 1820 mm | 4555 mm | 7 / 5 ° |
| Triplex mast DZ | 4500 mm | 2005 mm | 1360 mm | 5055 mm | 7 / 5 ° |
| | 4800 mm | 2105 mm | 1460 mm | 5355 mm | 7 / 5 ° |
| | 5000 mm | 2180 mm | 1530 mm | 5555 mm | 7 / 5 ° |
| | 5500 mm | 2355 mm | 1710 mm | 6055 mm | 7 / 5 ° |
| | 6000 mm | 2555 mm | 1910 mm | 6555 mm | 7 / 5 ° |
| | 6500 mm | 2805 mm | 2160 mm | 7055 mm | 7 / 5 ° |

VDI table

| | | | | | |
|--------------------------|-------------------------------|---|--------------------------------|-----|--------------------|
| Characteristic | 1.1 | Manufacturer (abbreviated description) | | | Jungheinrich |
| | 1.2 | Manufacturer's type designation | | | EFG BB |
| | 1.3 | Drive | | | Electric |
| | 1.4 | Operation | | | Seat |
| | 1.5 | Load capacity/load | Q | kg | 1600 |
| | 1.6 | Load centre distance | c | mm | 500 |
| | 1.8 | Load distance, centre of drive axle to fork | x | mm | 352 |
| | 1.9 | Wheelbase | y | mm | 1357 |
| | Weights | 2.1.1 | Service weight (incl. battery) | | kg |
| 2.2 | | Axle load laden front/rear | | kg | 4102 / 544 |
| 2.3 | | Axle load unladen front/rear | | kg | 1473 / 1571 |
| Wheels/suspension system | 3.1 | Tyres | | | Super-elastic (SE) |
| | 3.2 | Tyre size, front | | | 18 x 7 - 8 |
| | 3.3 | Tyre size, rear | | | 140 / 55 - 9 |
| | 3.5 | Wheels, number front/back (x=driven) | | | 2x / 2 |
| | 3.6 | Tread width, front | b10 | mm | 904 |
| | 3.7 | Tread width, rear | b11 | mm | 211 |
| | Basic dimensions | 4.1 | Forward/backward tilt of mast | a/β | ° |
| 4.2 | | Retracted mast height (h1) | h1 | mm | 2000 |
| 4.2.1 | | total height | h15 | mm | 2080 |
| 4.3 | | Free lift (h2) | h2 | mm | 150 |
| 4.4 | | Lift (h3) | h3 | mm | 3000 |
| 4.5 | | Extended mast height (h4) | h4 | mm | 3555 |
| 4.7 | | Height of overhead guard (cab) | h6 | mm | 2080 |
| 4.8 | | Seat height/stand height | h7 | mm | 1030 |
| 4.12 | | Coupling height | h10 | mm | 560 |
| 4.12.1 | | 2. Coupling height | | mm | 0 |
| 4.19 | | total length | l1 | mm | 2899 |
| 4.20 | | Length including fork shank | l2 | mm | 1899 |
| 4.21.1 | | total width | b1 | mm | 1060 |
| 4.22 | | Fork dimensions | s/e/l | mm | 40 x 100 x 1000 |
| 4.23 | | Fork carriage connection class | | | 2A |
| 4.24 | | Fork carriage width | b3 | mm | 980 |
| 4.31 | | Ground clearance laden under mast | m1 | mm | 97 |
| 4.32 | | Ground clearance centre of wheelbase | m2 | mm | 88 |
| 4.34.1 | | Aisle width (pallet 1000x1200 sideways) | Ast | mm | 3224 |
| 4.34.2 | | Aisle width (pallet 800x1200 length) | Ast | mm | 3348 |
| 4.35 | | Turning radius | Wa | mm | 1545 |
| 4.36 | Smallest pivot point distance | b13 | mm | 0 | |

| | | | | |
|---|---------------------|--|------------------------------------|----------------------|
| Performance data | 5.1 | Travel speed laden/unladen | km/h | 15 / 15 |
| | 5.2 | Lift speed laden/unladen | m/s | 0.43 / 0.53 |
| | 5.3 | Lowering speed laden/unladen | m/s | 0.51 / 0.55 |
| | 5.5 | Drawbar pull laden | N | 1300 |
| | 5.6 | Max. drawbar pull laden/unladen | N | 9000 / 9400 |
| | 5.7 | Gradeability laden/unladen | % | 6.5 / 14 |
| | 5.8 | Max. gradeability laden/unladen | % | 13.5 / 16 |
| | 5.9 | Acceleration time laden/unladen | s | 5.5 / 5 |
| | 5.10 | Service brake | | mechanical/hydraulic |
| | E-motor/Electronics | 6.1 | Drive motor, performance S2 60 min | kW |
| 6.1.1 | | 2. Drive motor, performance S2 60 min | kW | 3.7 |
| 6.2 | | Lift motor, performance with S3 | kW | 10 |
| 6.3 | | Battery according to DIN 43531/35/36 | | DIN 43531 A |
| 6.4 | | Battery voltage/nominal capacity | V / Ah | 48 / 500 |
| 6.5 | | Battery weight | kg | 708 |
| 6.6.1 | | Energy consumption according to EN cycle | kWh/h | 4.25 |
| 6.6.2 | | CO2 equivalent as per EN 16796 | kg/h | 2.3 |
| 6.7 | | Throughput | t/h | 113 |
| 6.8.1 | | Energy consumption with max. throughput | kWh/h | 5.13 |
| Other | 8.1 | Type of drive control | | Impulse/AC |
| | 10.1 | Operating pressure for attachment | bar | 230 |
| | 10.2 | Oil flow for attachments | l/min | 24 |
| | 10.7 | Sound level as per EN12053, operator's ear | dB (A) | 75 |
| | 10.8 | Trailer coupling, model/type DIN | | Bolts |
| - This data sheet according to VDI guideline 2198 only states the technical values of the standard truck. Different tyres, other masts, additional equipment etc. may result in different values. | | | | |

The German production facilities in
Norderstedt, Moosburg and Landsberg ISO 9001
are certified as well as our Genuine Parts ISO 14001
Center in Kaltenkirchen.

**JUNGHEINRICH**