



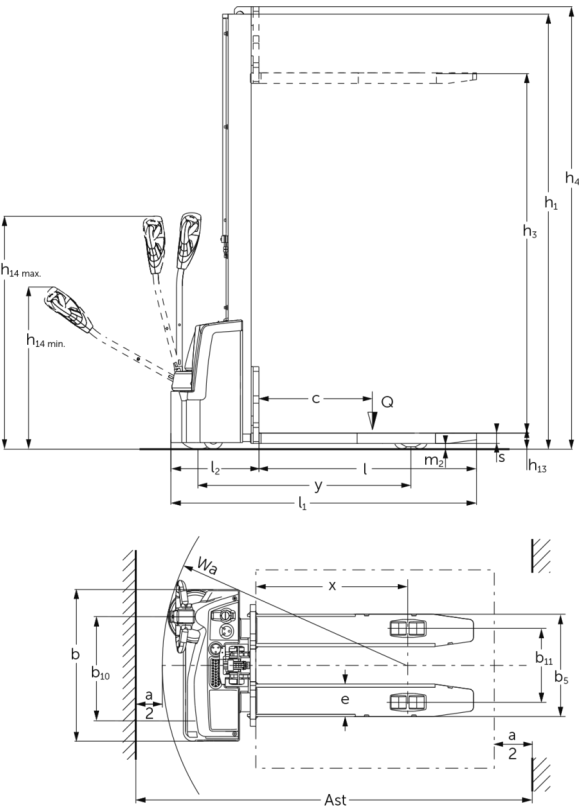
Electric pedestrian stacker

EJC M10 E / M10b E

Lift height: 1540-1900 mm / Load capacity: 1000 kg



EJC M10 E / M10b E



VDI table

Characteristic	1.1	Manufacturer (abbreviated description)		Jungheinrich		
	1.2	Manufacturer's type designation		EJC M10 E 1540	EJC M10 E 1900	EJC M10b E 1540
	1.3	Drive		Electric		
	1.4	Operation		Pedestrian		
	1.5	Load capacity/load	Q kg	1000		
	1.6	Load centre distance	c mm	600		
	1.8	Load distance, centre of drive axle to fork	x mm	803		783
	1.9	Wheelbase	y mm	1125		1154
	Weights	2.1.1	Service weight (incl. battery)	kg	460	478
2.2		Axle load laden front/rear	kg	622 / 838	630 / 848	560 / 1042
2.3		Axle load unladen front/rear	kg	350 / 110	360 / 118	430 / 172
Wheels/suspension system	3.1	Tyres		TPU/PU		Polyurethane (PU)
	3.2	Tyre size, front		Ø210x70		
	3.3	Tyre size, rear		Ø80x70		Ø80x98
	3.4	Additional wheels		Ø100x50		Ø80x48
	3.5	Wheels, number front/back (x=driven)		1x+1/4		1x+1/2
	3.6	Tread width, front	b10 mm	550		
	3.7	Tread width, rear	b11 mm	390		1002
Basic dimensions	4.2	Retracted mast height (h1)	h1 mm	1935	2295	1935
	4.3	Free lift (h2)	h2 mm	100		
	4.4	Lift (h3)	h3 mm	1540	1900	1540
	4.5	Extended mast height (h4)	h4 mm	1975	2335	2125
	4.9	Height of tiller handle in drive position min./max.	h14 mm	800 / 1240		
	4.15	Height, lowered	h13 mm	85		
	4.19	total length	l1 mm	1615		1664
	4.20	Length including fork shank	l2 mm	465		514
	4.21.1	total width	b1 mm	800		
	4.22	Fork dimensions	s/ e/l mm	55 x 172 x 1150		40 x 100 x 1150
	4.25	Width across forks	b5 mm	540		545
	4.26	Width between support arms/loading areas	b4 mm	-		882
	4.32	Ground clearance centre of wheelbase	m2 mm	30		35
	4.34.1	Aisle width (pallet 1000x1200 sideways)	Ast mm	2127		2163
	4.34.2	Aisle width (pallet 800x1200 length)	Ast mm	2059		2100
4.35	Turning radius	Wa mm	1295		1325	

Performance data	5.1	Travel speed laden/unladen	km/h	5 / 5
	5.2	Lift speed laden/unladen	m/s	0.12 / 0.22
	5.3	Lowering speed laden/unladen	m/s	0.15 / 0.13
	5.8	Max. gradeability laden/unladen	%	6 / 16
	5.10	Service brake		electric
E- motor/Electronics	6.1	Drive motor, performance S2 60 min	kW	1
	6.2	Lift motor, performance with S3	kW	2.2
	6.3	Battery according to DIN 43531/35/36		no
	6.4	Battery voltage/nominal capacity	V / Ah	24 / 50
	6.5	Battery weight	kg	15
	6.6	Energy consumption according to VDI cycle	kWh/h	0.54
	6.6.1	Energy consumption according to EN cycle	kWh/h	0.47
	6.6.2	CO2 equivalent as per EN 16796	kg/h	0.3
Other	8.1	Type of drive control		BLDC brushless direct current
	10.7	Sound level as per EN12053, operator's ear	dB (A)	63
- This data sheet according to VDI guideline 2198 only states the technical values of the standard truck. Different tyres, other masts, additional equipment etc. may result in different values.				

For EJC M10b:

- VDI no. 3.7: depending on the set tread width: b11 = 1,002 mm / 1,132 mm / 1,332 mm (sorted according to tread width).
- VDI no. 4.21.1: depending on the set tread width: b1 = 1,042 mm / 1,212 mm / 1,412 mm (listed according to tread width).
- VDI no. 4.25: grid in fork carrier: b5 = 316 mm / 484 mm / 545 mm / 621 mm / 663 mm / 706 mm.
- VDI no. 4.26: depending on the set tread width: b4 = 882 mm / 1,052 mm / 1,252 mm (sorted according to tread width).

The German production facilities in
Norderstedt, Moosburg and Landsberg
are certified as well as our Genuine Parts
Center in Kaltenkirchen. ISO 9001
ISO 14001

**JUNGHEINRICH**