

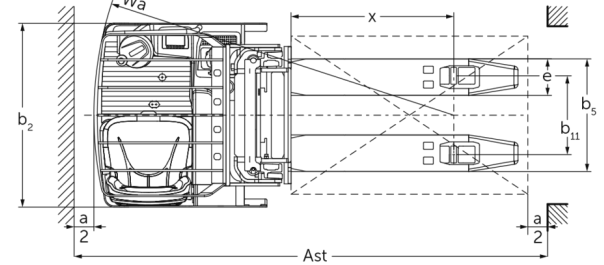
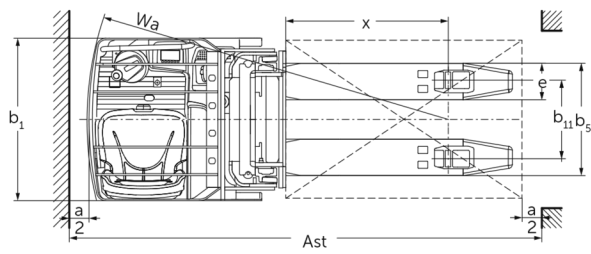
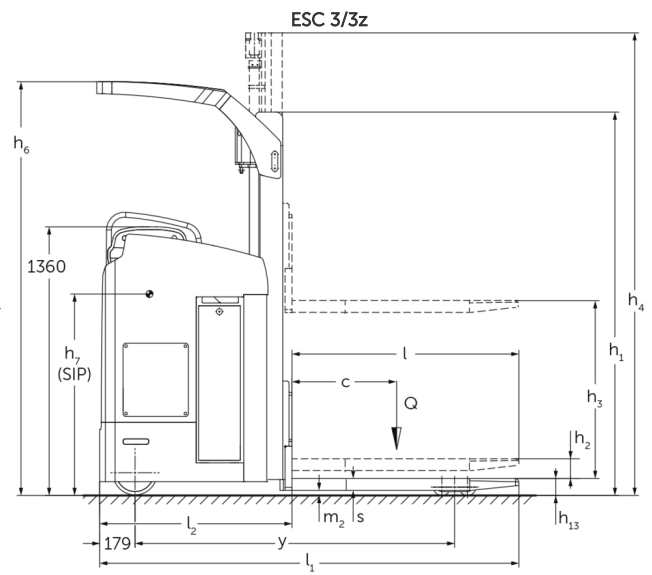
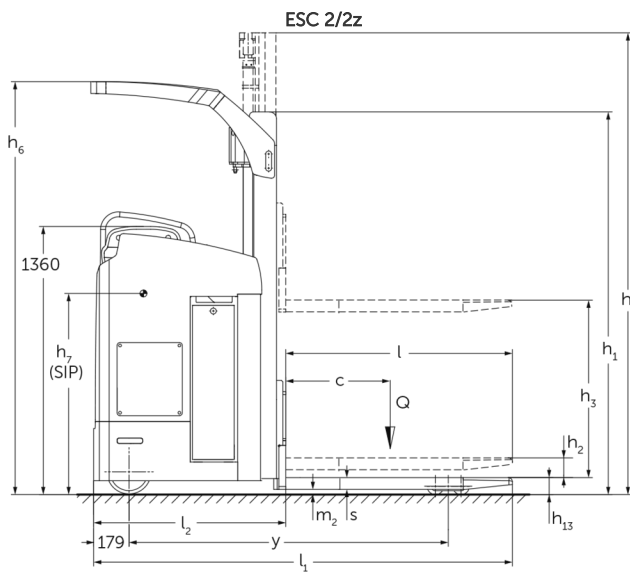


Electric sideways-seated stacker **ESC 214-316 / 214z-316z**

Lift height: 2800-6200 mm / Load capacity: 1400-1600 kg



ESC 214-316 / 214z-316z



ESC 214-316 / 214z-316z

| ESC 214, ESC 214z | Lift (h3) | Retracted mast height (h1) | Free lift (h2) | Extended mast height (h4) | Height of overhead guard (cab) |
|--------------------------------------|-----------|----------------------------|----------------|---------------------------|--------------------------------|
| Duplex mast ZT | 2900 mm | 1995 mm | 100 mm | 3422 mm | 2093 mm |
| | 3200 mm | 2145 mm | 100 mm | 3722 mm | 2243 mm |
| | 3600 mm | 2345 mm | 100 mm | 4122 mm | 2288 mm |
| | 4100 mm | 2595 mm | 100 mm | 4622 mm | 2288 mm |
| | 4300 mm | 2695 mm | 100 mm | 4822 mm | 2288 mm |
| Duplex mast ZZ | 2900 mm | 1945 mm | 1420 mm | 3422 mm | 2093 mm |
| | 3200 mm | 2095 mm | 1570 mm | 3722 mm | 2243 mm |
| | 3600 mm | 2295 mm | 1770 mm | 4122 mm | 2288 mm |
| | 4100 mm | 2545 mm | 2020 mm | 4622 mm | 2288 mm |
| | 4300 mm | 2645 mm | 2120 mm | 4822 mm | 2288 mm |
| Triplex mast DZ | 4300 mm | 1945 mm | 1426 mm | 4830 mm | 2093 mm |
| | 5350 mm | 2295 mm | 1776 mm | 5880 mm | 2288 mm |
| ESC 216, ESC 216z, ESC 316, ESC 316z | Lift (h3) | Retracted mast height (h1) | Free lift (h2) | Extended mast height (h4) | Height of overhead guard (cab) |
| Duplex mast ZT | 2800 mm | 1995 mm | 100 mm | 3372 mm | 2093 mm |
| | 3100 mm | 2145 mm | 100 mm | 3672 mm | 2243 mm |
| | 3500 mm | 2345 mm | 100 mm | 4072 mm | 2288 mm |
| | 4000 mm | 2595 mm | 100 mm | 4572 mm | 2288 mm |
| | 4200 mm | 2695 mm | 100 mm | 4772 mm | 2288 mm |
| Duplex mast ZZ | 2800 mm | 1945 mm | 1373 mm | 3372 mm | 2093 mm |
| | 3100 mm | 2095 mm | 1523 mm | 3672 mm | 2243 mm |
| | 3500 mm | 2295 mm | 1723 mm | 4072 mm | 2288 mm |
| | 4000 mm | 2545 mm | 1973 mm | 4572 mm | 2288 mm |
| | 4200 mm | 2645 mm | 2073 mm | 4772 mm | 2288 mm |
| Triplex mast DZ | 4200 mm | 1945 mm | 1376 mm | 4770 mm | 2093 mm |
| | 5250 mm | 2295 mm | 1726 mm | 5820 mm | 2288 mm |
| | 6200 mm | 2615 mm | 2046 mm | 6790 mm | 2288 mm |

VDI table

| | | | | | | | | | |
|--------------------------|--------------------------------------|---|--------------------------------|-------------------|-------------|-------------|-------------|-------------|-------------|
| Characteristic | 1.1 | Manufacturer (abbreviated description) | | Jungheinrich | | | | | |
| | 1.2 | Manufacturer's type designation | | ESC 2(z) / 3(z) | | | | | |
| | 1.3 | Drive | | Electric | | | | | |
| | 1.4 | Operation | | Seat | | | | | |
| | 1.5 | Load capacity/load | Q kg | 1400 | 1600 | 1400 | 1600 | | |
| | 1.6 | Load centre distance | c mm | 600 | | | | | |
| | 1.8 | Load distance, centre of drive axle to fork | x mm | 860 | | 874 | 860 | 874 | |
| | 1.9 | Wheelbase | y mm | 1656 | | 1685 | 1656 | 1700 | |
| | Weights | 2.1.1 | Service weight (incl. battery) | kg | 1590 | | 1660 | 1746 | 1685 |
| 2.2 | | Axle load laden front/rear | kg | 1316 / 1674 | 1340 / 1850 | 1285 / 1775 | 1370 / 1890 | 1459 / 1228 | 1432 / 1857 |
| 2.3 | | Axle load unladen front/rear | kg | 1113 / 477 | | 1162 / 498 | 1891 / 518 | 1190 / 495 | |
| Wheels/suspension system | 3.1 | Tyres | | Polyurethane (PU) | | | | | |
| | 3.2 | Tyre size, front | | Ø 230 x 77 | | | | | |
| | 3.3 | Tyre size, rear | | Ø 85 x 85 | | | | | |
| | 3.4 | Additional wheels | | Ø 140 x 126 | | | | | |
| | 3.5 | Wheels, number front/back (x=driven) | | 2 + 1x / 4 | | | | | |
| | 3.6 | Tread width, front | b10 mm | 544 | | | 645 | | |
| | 3.7 | Tread width, rear | b11 mm | 385 | | | | | |
| Basic dimensions | 4.2 | Retracted mast height (h1) | h1 mm | 1995 | | | | | |
| | 4.3 | Free lift (h2) | h2 mm | 100 | | | | | |
| | 4.4 | Lift (h3) | h3 mm | 2900 | 2800 | 2900 | 2800 | | |
| | 4.5 | Extended mast height (h4) | h4 mm | 3422 | | | | | |
| | 4.6 | Initial lift | h5 mm | - | | 125 | - | 125 | |
| | 4.7 | Height of overhead guard (cab) | h6 mm | 2095 | | | | | |
| | 4.8 | Seat height/stand height | h7 mm | 1020 | | | | | |
| | 4.15 | Height, lowered | h13 mm | 90 | | | | | |
| | 4.19 | total length | l1 mm | 2125 | | 2140 | 2125 | 2155 | |
| | 4.20 | Length including fork shank | l2 mm | 975 | | 990 | 975 | 1005 | |
| | 4.21.1 | total width | b1 mm | 820 | | | 930 | | |
| | 4.22 | Fork dimensions | s/ e/l mm | 60 x 185 x 1150 | | | | | |
| | 4.25 | Width across forks | b5 mm | 570 | | | | | |
| | 4.32 | Ground clearance centre of wheelbase | m2 mm | 30 | | 25 | 30 | 25 | |
| | 4.34.1 | Aisle width (pallet 1000x1200 sideways) | Ast mm | - | | | 2353 | 2383 | |
| 4.34.2 | Aisle width (pallet 800x1200 length) | Ast mm | 2383 | | 2398 | 2403 | 2433 | | |
| 4.35 | Turning radius | Wa mm | 1843 | | 1872 | 1863 | 1907 | | |

| | | | | | | | | |
|--|--------------------------------|---|--------|-------------|-------------|-------------|-------------|-------------|
| Performance data | 5.1 | Travel speed laden/unladen | km/h | 9.1 / 9.1 | | | | |
| | 5.2 | Lift speed laden/unladen | m/s | 0.15 / 0.24 | 0.13 / 0.24 | 0.14 / 0.23 | 0.13 / 0.24 | 0.14 / 0.23 |
| | 5.3 | Lowering speed laden/unladen | m/s | 0.42 / 0.42 | | 0.42 / 0.38 | 0.42 / 0.42 | 0.42 / 0.38 |
| | 5.7 | Gradeability laden/unladen | % | 7 / 12 | | | | |
| | 5.10 | Service brake | | electric | | | | |
| E-motor/Electronics | 6.1 | Drive motor, performance S2 60 min | kW | 2.8 | | | | |
| | 6.2 | Lift motor, performance with S3 | kW | 3 | | | | |
| | 6.3 | Battery according to DIN 43531/35/36 | | no | | | | |
| | 6.4 | Battery voltage/nominal capacity | V / Ah | 24 / 465 | | | | |
| | 6.5 | Battery weight | kg | 380 | | | | |
| | 6.6 | Energy consumption according to VDI cycle | kWh/h | 0 | | | 2.5 | |
| | 6.6.1 | Energy consumption according to EN cycle | kWh/h | 0.94 | 1.02 | 0.94 | 1.02 | 1.04 |
| 6.6.2 | CO2 equivalent as per EN 16796 | kg/h | 0.5 | | | | | |
| Other | 8.1 | Type of drive control | | AC | | | | |
| <p>- This data sheet according to VDI guideline 2198 only states the technical values of the standard truck. Different tyres, other masts, additional equipment etc. may result in different values.</p> | | | | | | | | |

The values in the table apply for mast ZT 2800 / 2900, lowered support arm lift.

VDI no. 1.8: with ESC 214z / 216z / 316z: raised support arm lift: x - 78 mm.

VDI no. 1.9: with ESC 214z / 216z / 316z: raised support arm lift: y - 78 mm.

VDI no. 4.34.2: diagonal as per VDI: aisle width + 190 mm.

VDI no. 4.35: with ESC 214z / 216z / 316z: raised support arm lift: Wa - 78 mm.

The German production facilities in
Norderstedt, Moosburg and Landsberg ISO 9001
are certified as well as our Genuine Parts ISO 14001
Center in Kaltenkirchen.

**JUNGHEINRICH**