

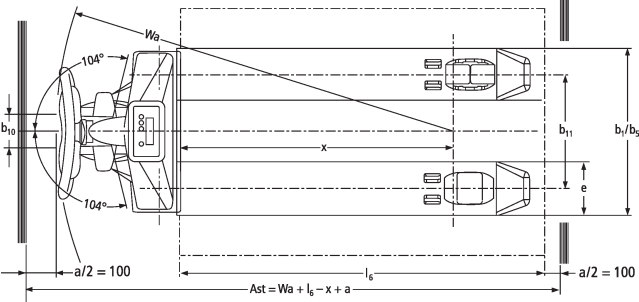
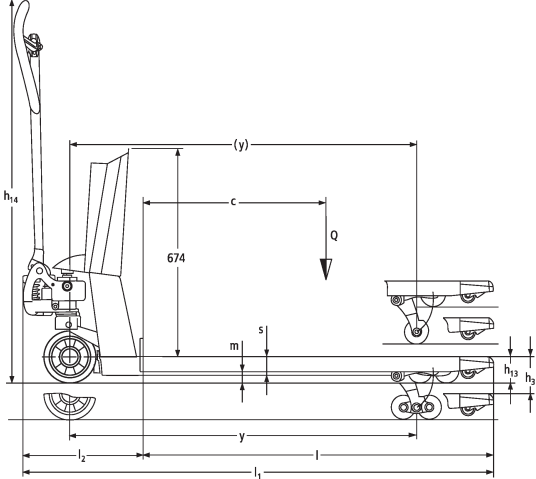


Hand pallet truck with scales **AMW 22 / 22p**

Lift height: 122 mm / Load capacity: 2200 kg

JUNGHEINRICH

AMW 22 / 22p



VDI table

| | | | | | | | | | |
|--------------------------|------------------|---|--------------|-----------------|------------|------|----------|------------|----------|
| Characteristic | 1.1 | Manufacturer (abbreviated description) | | Jungheinrich | | | | | |
| | 1.2 | Manufacturer's type designation | | AMW 22 / p | | | | | |
| | 1.3 | Drive | | Manual | | | | | |
| | 1.4 | Operation | | Manual | | | | | |
| | 1.5 | Load capacity/load | Q kg | 2200 | | | | | |
| | 1.6 | Load centre distance | c mm | 600 | | | | | |
| | 1.9 | Wheelbase | y mm | 1110 | | | | | |
| Weights | 2.1 | tare weight | kg | 99 | | | 102 | | |
| | 2.2 | Axle load laden front/rear | kg | 578 / 1721 | | | | | |
| | 2.3 | Axle load unladen front/rear | kg | 61 / 38 | | | | | |
| Wheels/suspension system | 3.1 | Tyres | | C-BV | V-GV | C-GV | V-BV | C-GV | C-BV |
| | 3.2 | Tyre size, front | | ∅ 170x50 | ∅ 170 x 50 | | ∅ 170x50 | ∅ 170 x 50 | ∅ 170x50 |
| | 3.3 | Tyre size, rear | | ∅ 82x96 | ∅ 82 x 96 | | ∅ 82x96 | ∅ 82 x 96 | ∅ 82x96 |
| | 3.5 | Wheels, number front/back (x=driven) | | 2/2 | | | | | |
| | 3.6 | Tread width, front | b10 mm | 109 | | | | | |
| | 3.7 | Tread width, rear | b11 mm | 370 | | | | | |
| | Basic dimensions | 4.4 | Lift (h3) | h3 mm | 122 | | | | |
| 4.9 | | Height of tiller handle in drive position min./max. | h14 mm | 1234 | | | | | |
| 4.15 | | Height, lowered | h13 mm | 86 | | | | | |
| 4.19 | | total length | l1 mm | 1546 | | | | | |
| 4.20 | | Length including fork shank | l2 mm | 396 | | | | | |
| 4.21.1 | | total width | b1 mm | 540 | | | | | |
| 4.22 | | Fork dimensions | s/ e/l mm | 62 x 170 x 1150 | | | | | |
| 4.25 | | Width across forks | b5 mm | 540 | | | | | |
| 4.32 | | Ground clearance centre of wheelbase | m2 mm | 24 | | | | | |
| 4.34.1 | | Aisle width (pallet 1000x1200 sideways) | Ast mm | 1763 | | | | | |
| 4.34.2 | | Aisle width (pallet 800x1200 length) | Ast mm | 1813 | | | | | |
| 4.35 | Turning radius | Wa mm | 1303 | | | | | | |
| Performance data | 5.3 | Lowering speed laden/unladen | m/s | 0.09 / 0.02 | | | | | |

| | | | | | | | |
|---------------------|-----|----------------------------------|---|-----|----------|-----|----------|
| E-motor/Electronics | 6.4 | Battery voltage/nominal capacity | V | 1.5 | 12 / 1.2 | 1.5 | 12 / 1.2 |
| | | | | | | | |

- This data sheet according to VDI guideline 2198 only states the technical values of the standard truck. Different tyres, other masts, additional equipment etc. may result in different values.

| | | | | | | |
|--------------------------|------------------|---|-----------|----|-----------------|----------|
| Characteristic | 1.1 | Manufacturer (abbreviated description) | | | Jungheinrich | |
| | 1.2 | Manufacturer's type designation | | | AMW 22 / p | |
| | 1.3 | Drive | | | Manual | |
| | 1.4 | Operation | | | Manual | |
| | 1.5 | Load capacity/load | Q | kg | 2200 | |
| | 1.6 | Load centre distance | c | mm | 600 | |
| | 1.9 | Wheelbase | y | mm | 1110 | |
| Weights | 2.1 | tare weight | | kg | 102 | |
| | 2.2 | Axle load laden front/rear | | kg | 578 / 1721 | |
| | 2.3 | Axle load unladen front/rear | | kg | 61 / 38 | |
| Wheels/suspension system | 3.1 | Tyres | | | V-GV | V-BV |
| | 3.2 | Tyre size, front | | | Ø 170 x 50 | Ø 170x50 |
| | 3.3 | Tyre size, rear | | | Ø 82 x 96 | Ø 82x96 |
| | 3.5 | Wheels, number front/back (x=driven) | | | 2/2 | |
| | 3.6 | Tread width, front | b10 | mm | 109 | |
| | 3.7 | Tread width, rear | b11 | mm | 370 | |
| | Basic dimensions | 4.4 | Lift (h3) | h3 | mm | 122 |
| 4.9 | | Height of tiller handle in drive position min./max. | h14 | mm | 1234 | |
| 4.15 | | Height, lowered | h13 | mm | 86 | |
| 4.19 | | total length | l1 | mm | 1546 | |
| 4.20 | | Length including fork shank | l2 | mm | 396 | |
| 4.21.1 | | total width | b1 | mm | 540 | |
| 4.22 | | Fork dimensions | s/e/l | mm | 62 x 170 x 1150 | |
| 4.25 | | Width across forks | b5 | mm | 540 | |
| 4.32 | | Ground clearance centre of wheelbase | m2 | mm | 24 | |
| 4.34.1 | | Aisle width (pallet 1000x1200 sideways) | Ast | mm | 1763 | |
| 4.34.2 | | Aisle width (pallet 800x1200 length) | Ast | mm | 1813 | |
| 4.35 | | Turning radius | Wa | mm | 1303 | |

| | | | | |
|---------------------|-----|----------------------------------|--------|-------------|
| Performance data | 5.3 | Lowering speed laden/unladen | m/s | 0.09 / 0.02 |
| E-motor/Electronics | 6.4 | Battery voltage/nominal capacity | V / Ah | 12 / 1.2 |

- This data sheet according to VDI guideline 2198 only states the technical values of the standard truck. Different tyres, other masts, additional equipment etc. may result in different values.

The German production facilities in
Norderstedt, Moosburg and Landsberg
are certified as well as our Genuine Parts
Center in Kaltenkirchen. ISO 9001
ISO 14001

 **JUNGHEINRICH**