

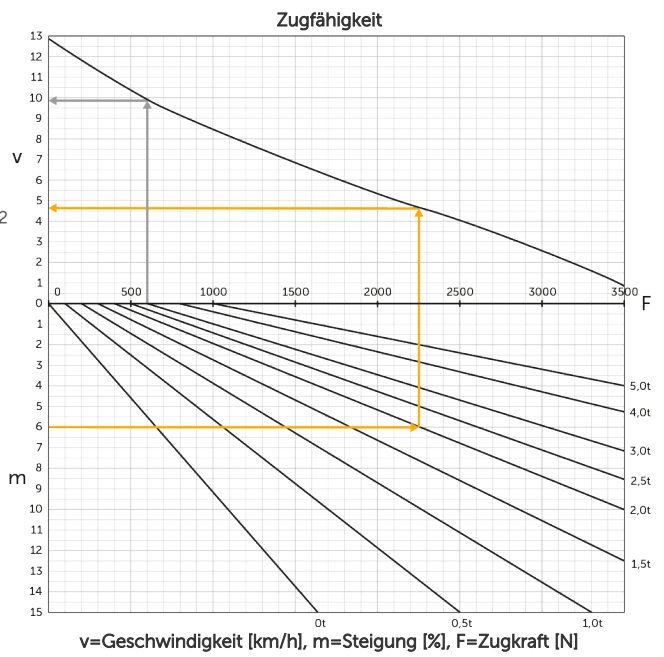
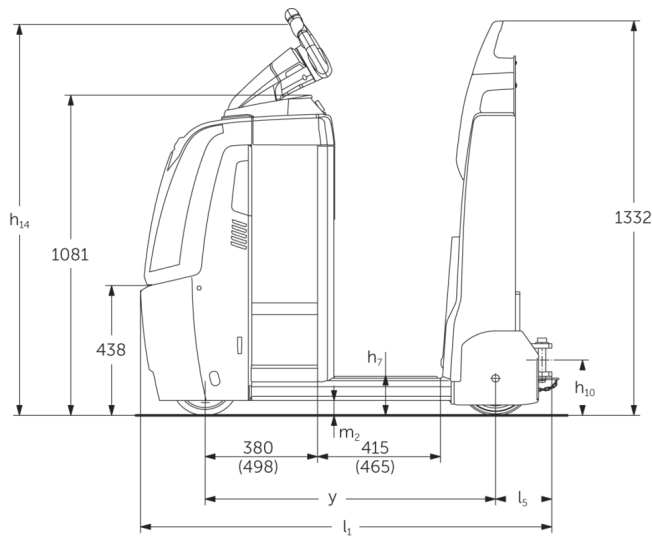


## Electric tow tractor **EZS 350**

**LION**  
technology

**JUNGHEINRICH**

# EZS 350



## VDI table

				Jungheinrich				
Characteristic	1.1	Manufacturer (abbreviated description)						
	1.2	Manufacturer's type designation		EZS 350 L Std	EZS 350 L Comfort	EZS 350 XL Std	EZS 350 XL Comfort	
	1.3	Drive type		electric				
	1.4	Operation		Stand-on				
	1.5.3	Towing capacity	Q	kg	5000			
	1.7	Rated drawbar pull		N	1000			
	1.9	Wheelbase	y	mm	980	1030	1098	1148
Weights	2.1.1	Service weight (incl. battery)		kg	996	1006	1091	1101
	2.3	Axle load unladen front/rear		kg	505 / 491	510 / 496	565 / 526	570 / 531
Wheels/suspension system	3.1	Tyres		Polyurethane / Super-elastic				
	3.2	Tyre size, front		ø230 x 77				
	3.3	Tyre size, rear		ø250 x 80				
	3.5	Wheels, number front/back (x=driven)		1x/2				
	3.7	Tread width, rear	b11	mm	680			
Basic dimensions	4.8	Seat height/stand height		h7	mm	135		
	4.9	Height of tiller handle in drive position min./max.		h14	mm	1320		
	4.12	Coupling height		h10	mm	158		
	4.19	Total length	l1	mm	1390	1440	1508	1558
	4.21.1	total width		b1	mm	810		
	4.32	Ground clearance centre of wheelbase		m2	mm	50		
	4.35	Turning radius		Wa	mm	1210	1260	1328
Performance data	5.1	Travel speed laden/unladen		km/h	8 / 12.5			
	5.1.1	Reverse travel speed with/without load		km/h	6 / 6			
	5.5	Drawbar pull laden		N	1000			
	5.6	Max. drawbar pull laden/unladen		N	3700 / 3700			
	5.10	Service brake			electromagnetic/generative			

E-motor/Electronics	6.1	Drive motor, performance S2 60 min	kW	2.8	
	6.4	Battery voltage/nominal capacity	V / Ah	24 / 465	24 / 620
	6.5	Battery weight	kg	370	470
	6.6.1	Energy consumption according to EN cycle	kWh/h	1.15	
	6.6.2	CO2 equivalent as per EN 16796	kg/h	0.6	
Other	8.1	Type of drive control		AC speedCONTROL	
	10.7	Schalldruckpegel nach EN12053	dB (A)	66	
- This data sheet according to VDI guideline 2198 only states the technical values of the standard truck. Different tyres, other masts, additional equipment etc. may result in different values.					

- VDI no. 4.9: the height applies to the version with jetPILOT
- VDI no. 4.12: the value for the coupling height applies to a single plug-in coupling. Other coupling heights are available
- VDI no. 4.19: as different coupling systems are available, the specification applies to the overall length including a single plug-in coupling
- VDI no. 5.1: see tow load diagram
- VDI no. 5.5: this value is the rated drawbar pull
- VDI no. 5.6: see tow load diagram

The German production facilities in  
Norderstedt, Moosburg and Landsberg  
are certified as well as our Genuine Parts  
Center in Kaltenkirchen.

ISO 9001  
ISO 14001

Jungheinrich fork lift trucks meet  
European safety requirements.



 **JUNGHEINRICH**

The logo features a red upward-pointing arrow integrated into the letter 'J' of the word 'JUNGHEINRICH', which is written in a bold, black, sans-serif font.