

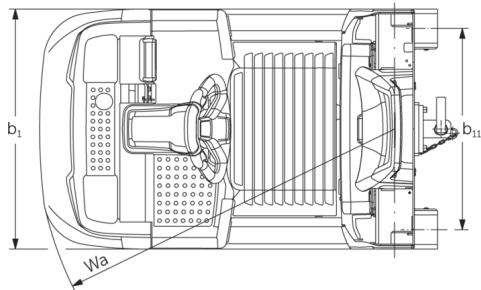
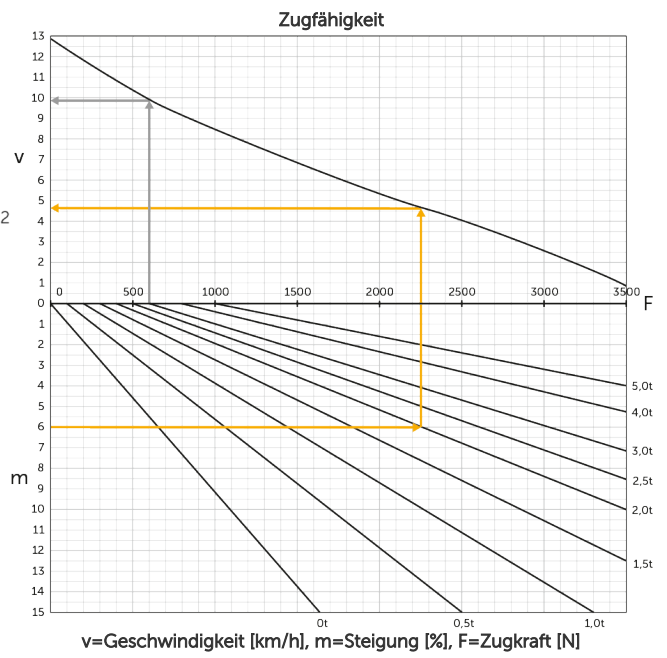
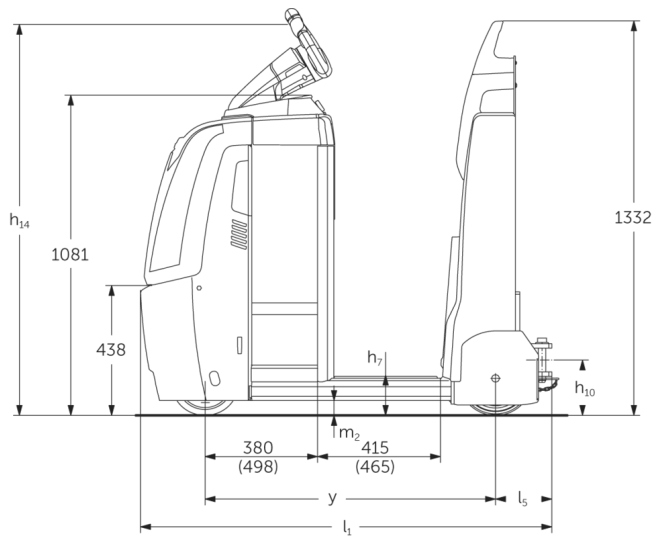


## Electric tow tractor EZS 350

**LI-ION**  
technology

**JUNGHEINRICH**

# EZS 350



## VDI table

				Jungheinrich				
Characteristic	1.1	Manufacturer (abbreviated description)						
	1.2	Manufacturer's type designation		EZS 350 L Std	EZS 350 L Comfort	EZS 350 XL Std	EZS 350 XL Comfort	
	1.3	Drive		electric				
	1.4	Operation		Stand-on				
	1.5.3	Towing capacity		Q	kg			5000
	1.7	Rated drawbar pull		N			1000	
	1.9	Wheelbase		y	mm			980   1030   1098   1148
Weights	2.1.1	Service weight (incl. battery)		kg			996   1006   1091   1101	
	2.3	Axle load unladen front/rear		kg			505 / 491   510 / 496   565 / 526   570 / 531	
Wheels/suspension system	3.1	Tyres		Polyurethane / Super-elastic				
	3.2	Tyre size, front		ø230 x 77				
	3.3	Tyre size, rear		ø250 x 80				
	3.5	Wheels, number front/back (x=driven)		1x/2				
	3.7	Tread width, rear		b11	mm			680
Basic dimensions	4.8	Seat height/stand height		h7			mm   135	
	4.9	Height of tiller handle in drive position min./max.		h14			mm   1320	
	4.12	Coupling height		h10			mm   158	
	4.19	Overall length		l1	mm			1390   1440   1508   1558
	4.21.1	total width		b1			mm   810	
	4.32	Ground clearance centre of wheelbase		m2			mm   50	
	4.35	Turning radius		Wa	mm			1210   1260   1328   1378
Performance data	5.1	Travel speed laden/unladen		km/h			8 / 12.5	
	5.1.1	Reverse travel speed with/without load		km/h			6 / 6	
	5.5	Drawbar pull laden		N			1000	
	5.6	Max. drawbar pull laden/unladen		N			3700 / 3700	
	5.10	Service brake		electromagnetic/generative				

E-motor/Electronics	6.1	Drive motor, performance S2 60 min	kW	2.8	
	6.4	Battery voltage/nominal capacity	V / Ah	24 / 465	24 / 620
	6.5	Battery weight	kg	370	470
	6.6.1	Energy consumption according to EN cycle	kWh/h	1.15	
	6.6.2	CO2 equivalent as per EN 16796	kg/h	0.6	
Other	8.1	Type of drive control		AC speedCONTROL	
	10.7	Schalldruckpegel nach EN12053	dB (A)	66	
- This data sheet according to VDI guideline 2198 only states the technical values of the standard truck. Different tyres, other masts, additional equipment etc. may result in different values.					

- VDI no. 4.9: the height applies to the version with jetPILOT
- VDI no. 4.12: the value for the coupling height applies to a single plug-in coupling. Other coupling heights are available
- VDI no. 4.19: as different coupling systems are available, the specification applies to the overall length including a single plug-in coupling
- VDI no. 5.1: see tow load diagram
- VDI no. 5.5: this value is the rated drawbar pull
- VDI no. 5.6: see tow load diagram

The German production facilities in  
Norderstedt, Moosburg and Landsberg  
are certified as well as our Genuine Parts  
Center in Kaltenkirchen.

ISO 9001  
ISO 14001

Jungheinrich fork lift trucks meet  
European safety requirements.



 **JUNGHEINRICH**

The logo features a red upward-pointing arrow integrated into the letter 'J' of the word 'JUNGHEINRICH', which is written in a bold, black, sans-serif font.