



Electric pedestrian pallet truck with ergonomic lift

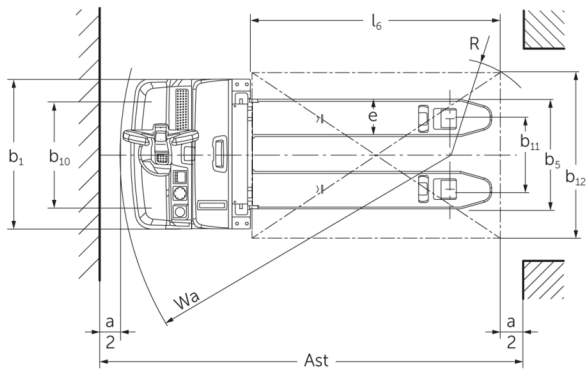
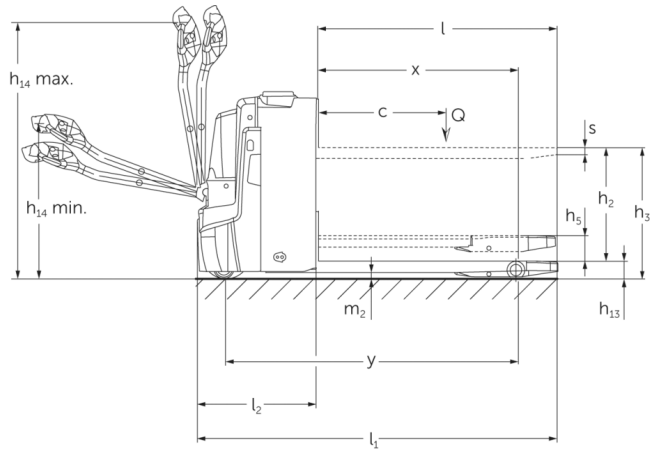
EJE C20

Lift height: 540 mm / Load capacity: 2000 kg

LION
technology

JUNGHEINRICH

EJE C20



VDI table

Characteristic	1.1	Manufacturer (abbreviated description)			Jungheinrich
	1.2	Manufacturer's type designation			EJE C20
	1.3	Drive type			electric
	1.4	Operation			Pedestrian
	1.5	Load capacity/load	Q	kg	2000
	1.5.1	Rated capacity/load with mast lift	Q	kg	700
	1.5.2	Rated capacity/load with support arm lift	Q	kg	2000
	1.6	Load centre distance	c	mm	600
	1.8	Load distance, centre of drive axle to fork	x	mm	893
	1.9	Wheelbase	y	mm	1333
Weights	2.1.1	Service weight (incl. battery)		kg	523
	2.2	Axle load laden front/rear		kg	800 / 1729
	2.3	Axle load unladen front/rear		kg	390 / 133
Wheels/suspension system	3.1	Tyres			Polyurethane (PU)
	3.2	Tyre size, front			Ø 230 x 70
	3.3	Tyre size, rear			Ø 85 x 95
	3.4	Additional wheels			Ø 100 x 40
	3.5	Wheels, number front/back (x=driven)			1x +2/2 oder 4
	3.6	Tread width, front	b10	mm	510
	3.7	Tread width, rear	b11	mm	338
Basic dimensions	4.3	Free lift (h2)	h2	mm	540
	4.4	Lift (h3)	h3	mm	752
	4.6	Initial lift	h5	mm	122
	4.9	Height of tiller handle in drive position min./max.	h14	mm	750 / 1237
	4.15	Height, lowered	h13	mm	90
	4.19	Total length	l1	mm	1734
	4.20	Length including fork shank	l2	mm	584
	4.21.1	total width	b1	mm	720
	4.22	Fork dimensions	s/e/l	mm	60 x 180 x 1150
	4.25	Width across forks	b5	mm	530
	4.32	Ground clearance centre of wheelbase	m2	mm	30
	4.34.1	Aisle width (pallet 1000x1200 sideways)	Ast	mm	2322
	4.34.2	Aisle width (pallet 800x1200 length)	Ast	mm	2217
	4.35	Turning radius	Wa	mm	1513

Performance data	5.1	Travel speed laden/unladen	km/h	6 / 6
	5.2	Lift speed laden/unladen	m/s	0.14 / 0.2
	5.3	Lowering speed laden/unladen	m/s	0.14 / 0.2
	5.8	Max. gradeability laden/unladen	%	8 / 20
	5.10	Service brake		generative
E-motor/Electronics	6.1	Drive motor, performance S2 60 min	kW	1.1
	6.2	Lift motor, performance with S3	kW	1.2
	6.4	Battery voltage/nominal capacity	V / Ah	24 / 150
	6.5	Battery weight	kg	151
	6.6.1	Energy consumption according to EN cycle	kWh/h	0.31
	6.6.2	CO2 equivalent as per EN 16796	kg/h	0.2
	6.7	Throughput	t/h	100
	6.8.1	Energy consumption with max. throughput	kWh/h	0.63
Other	8.1	Type of drive control		AC
	10.7	Schalldruckpegel nach EN12053	dB (A)	61

- This data sheet according to VDI guideline 2198 only states the technical values of the standard truck. Different tyres, other masts, additional equipment etc. may result in different values.

- VDI no. 4.34: lowered load section: + 24 mm
- VDI no. 4.33 lowered load section: + 49 mm
- VDI no. 1.8: 1.9: 4.35: lowered load section: + 56 mm
- VDI no. 1.9: 4.19: 4.20: 4.34: 4.34.1: 4.35: with lateral battery exchange: M LBE = S + 77 mm

The German production facilities in
Norderstedt, Moosburg and Landsberg
are certified as well as our Genuine Parts
Center in Kaltenkirchen.

ISO 9001
ISO 14001

Jungheinrich fork lift trucks meet
European safety requirements.



 **JUNGHEINRICH**

The Jungheinrich logo, featuring a red upward-pointing arrow above the word 'JUNGHEINRICH' in a bold, black, sans-serif font.