



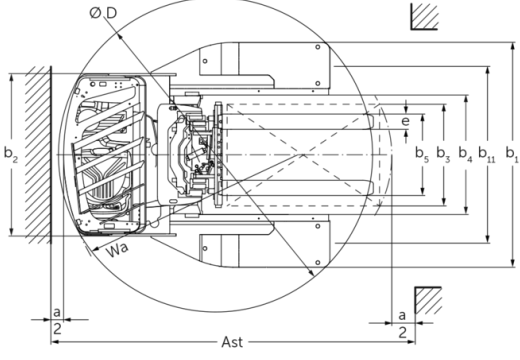
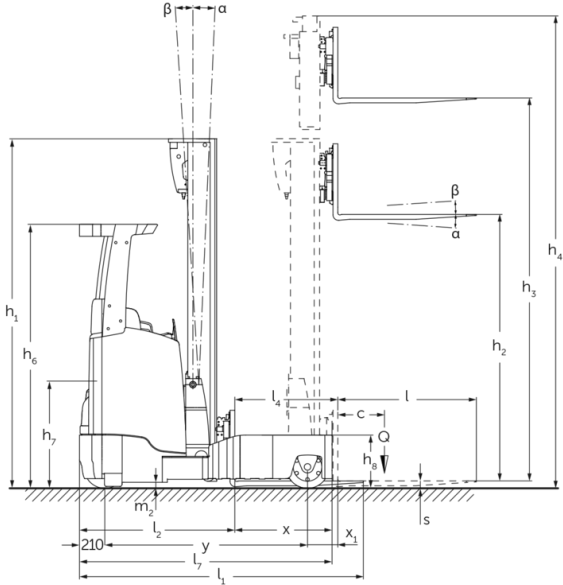
## Electric reach truck

**ETV Q20 / Q25**

Lift height: 4250-10700 mm / Load capacity: 2000-2500 kg



# ETV Q20 / Q25



# ETV Q20 / Q25

ETV Q20, ETV Q25	Lift (h3)	Retracted mast height (h1)	Free lift (h2)	Extended mast height (h4)	Forward/backward tilt of mast	Forward/backward tilt of fork carriage
Fork tilt / Triplex mast DZ / cold-formed	6200 mm	2700 mm	1970 mm	6930 mm		2 / 5 °
	6500 mm	2800 mm	2070 mm	7230 mm		2 / 5 °
	6800 mm	2900 mm	2170 mm	7530 mm		2 / 5 °
	7400 mm	3100 mm	2370 mm	8130 mm		2 / 5 °
	7700 mm	3200 mm	2470 mm	8430 mm		2 / 5 °
	8000 mm	3300 mm	2570 mm	8730 mm		2 / 5 °
	8420 mm	3440 mm	2710 mm	9150 mm		2 / 5 °
	8720 mm	3540 mm	2810 mm	9450 mm		2 / 5 °
	9110 mm	3670 mm	2940 mm	9840 mm		2 / 5 °
	9620 mm	3840 mm	3110 mm	10350 mm		2 / 5 °
	9950 mm	3950 mm	3220 mm	10680 mm		2 / 5 °
	10220 mm	4100 mm	3370 mm	10950 mm		2 / 5 °
	10520 mm	4200 mm	3470 mm	11250 mm		2 / 5 °
	10700 mm	4260 mm	3530 mm	11430 mm		2 / 5 °
Mast tilt without side shift / Triplex mast DZ / cold-formed	4250 mm	2050 mm	1320 mm	4980 mm	1 / 5 °	
	4700 mm	2200 mm	1470 mm	5430 mm	1 / 5 °	
	5000 mm	2300 mm	1570 mm	5730 mm	1 / 5 °	
	5300 mm	2400 mm	1670 mm	6030 mm	1 / 5 °	
	5600 mm	2500 mm	1770 mm	6330 mm	1 / 3 °	
	5900 mm	2600 mm	1870 mm	6630 mm	1 / 3 °	
	6200 mm	2700 mm	1970 mm	6930 mm	1 / 3 °	
	6500 mm	2800 mm	2070 mm	7230 mm	1 / 3 °	
	6800 mm	2900 mm	2170 mm	7530 mm	1 / 3 °	
	6950 mm	2950 mm	2220 mm	7680 mm	1 / 3 °	
	7400 mm	3100 mm	2370 mm	8130 mm	1 / 3 °	
	8000 mm	3300 mm	2570 mm	8730 mm	1 / 3 °	

	8420 mm	3440 mm	2710 mm	9150 mm	1 / 3 °
	8720 mm	3540 mm	2810 mm	9450 mm	1 / 3 °
	9110 mm	3670 mm	2940 mm	9840 mm	1 / 3 °

## VDI table

Characteristic	1.1	Manufacturer (abbreviated description)		Jungheinrich	
	1.2	Manufacturer's type designation		ETV Q20	ETV Q25
	1.3	Drive type		electric	
	1.4	Operation		Sideways-seated	
	1.5	Load capacity/load	Q kg	2000	2500
	1.6	Load centre distance	c mm	600	
	1.8	Load distance, centre of drive axle to fork	x mm	449	
	1.8.1	Load distance, centre of drive axle to fork, mast extended	mm	230	
	1.9	Wheelbase	y mm	1528	1638
Weights	2.1.1	Service weight (incl. battery)	kg	3700	
	2.3	Axle load unladen front/rear	kg	2264 / 1436	
	2.4	Axle load fork forward laden front/rear	kg	602 / 5598	
	2.5	Axle load fork back laden front/rear	kg	2032 / 4168	
Wheels/suspension system	3.1	Tyres		Polyurethane (PU)	
	3.2	Tyre size, front		Ø 343 x 140	
	3.3	Tyre size, rear		Ø 355 x 135	
	3.5	Wheels, number front/back (x=driven)		1x / 2	
	3.7	Tread width, rear	b11 mm	1420	
Basic dimensions	4.1	Forward/backward tilt of mast	a/β °	1 / 5	
	4.2	Retracted mast height (h1)	h1 mm	2400	
	4.3	Free lift (h2)	h2 mm	1670	
	4.4	Lift (h3)	h3 mm	5300	
	4.5	Extended mast height (h4)	h4 mm	6030	
	4.7	Height of overhead guard (cab)	h6 mm	2190	
	4.8	Seat height/stand height	h7 mm	1057	
	4.10	Height of support arms	h8 mm	440	
	4.19	Total length	l1 mm	2439	2511
	4.20	Length including fork shank	l2 mm	1289	1361
	4.21.1	total width	b1 mm	1770	
	4.21.2	total width	b2 mm	1270	
	4.22	Fork dimensions	s/e/l mm	50 x 140 x 1150	
	4.23	Fork carriage connection class		2B	
	4.24	Fork carriage width	b3 mm	830	
	4.25	Width across forks	b5 mm	356	
	4.25.1	Width across forks (min./max.)	b5 mm	356 / 750	
	4.26	Width between support arms/loading areas	b4 mm	940	
	4.28	Reach distance	mm	679	762
	4.32	Ground clearance centre of wheelbase	m2 mm	95	
4.34.1	Aisle width (pallet 1000x1200 sideways)	Ast mm	2756	2854	

	4.34.2	Aisle width (pallet 800x1200 length)	Ast	mm	2792	2872
	4.35	Turning radius	Wa	mm	1741	1893
	4.37	Length over the support arms	L7	mm	1957	2112
Performance data	5.1	Travel speed laden/unladen		km/h	14 / 14	
	5.2	Lift speed laden/unladen		m/s	0.38 / 0.64	0.35 / 0.64
	5.3	Lowering speed laden/unladen		m/s	0.55 / 0.55	
	5.4	Reach speed laden/unladen		m/s	0.2 / 0.2	
	5.7	Gradeability laden/unladen		%	7 / 11	
	5.8	Max. gradeability laden/unladen		%	10 / 15	
	5.9	Acceleration time laden/unladen		s	5.3 / 4.8	5.6 / 4.9
	5.10	Service brake			electric	
E-motor/Electronics	6.1	Drive motor, performance S2 60 min		kW	8.5	
	6.2	Lift motor, performance with S3		kW	15.5	
	6.3	Battery according to DIN 43531/35/36			DIN 43531 C	
	6.4	Battery voltage/nominal capacity		V / Ah	48 / 620	
	6.5	Battery weight		kg	1005	
	6.6	Energy consumption according to VDI cycle		kWh/h	5.1	6
	6.6.1	Energy consumption according to EN cycle		kWh/h	4.31	5
	6.6.2	CO2 equivalent as per EN 16796		kg/h	2.3	2.7
	6.7	Throughput		t/h	79.73	97.61
	6.8.1	Energy consumption with max. throughput		kWh/h	4.71	4.98
Other	8.1	Type of drive control			Mosfet/AC	
	10.1	Operating pressure for attachment		bar	150	
	10.2	Oil flow for attachments		l/min	20	
	10.7	Schalldruckpegel nach EN12053		dB (A)	70	

- This data sheet according to VDI guideline 2198 only states the technical values of the standard truck. Different tyres, other masts, additional equipment etc. may result in different values.

- VDI no. 1.8: battery size and mast type affect load distance x
- VDI no. 2.1.1: battery size and mast version affect service weight and axle loads
- VDI no. 2.3: battery size and mast version affect service weight and axle loads
- VDI no. 2.4: battery size and mast version affect service weight and axle loads
- VDI no. 2.5: battery size and mast version affect service weight and axle loads
- VDI no. 4.1: the mast version determines the tilt values
- VDI no. 4.19: battery size, mast type and fork length affect the overall length l1
- VDI no. 4.20: battery size and mast type affect the length including fork shank l2
- VDI no. 4.28: battery size and mast type affect the reach distance l4
- VDI no. 4.34.1: battery size and mast type affect the aisle widths
- VDI no. 4.34.2: battery size and mast type affect the aisle widths
- The information in this document relates to the drive&liftPLUS performance package

The German production facilities in  
Norderstedt, Moosburg and Landsberg  
are certified as well as our Genuine Parts  
Center in Kaltenkirchen.

ISO 9001  
ISO 14001

Jungheinrich fork lift trucks meet  
European safety requirements.



 **JUNGHEINRICH**

The logo features a red upward-pointing arrow integrated into the letter 'J' of the word 'JUNGHEINRICH', which is written in a bold, black, sans-serif font.