



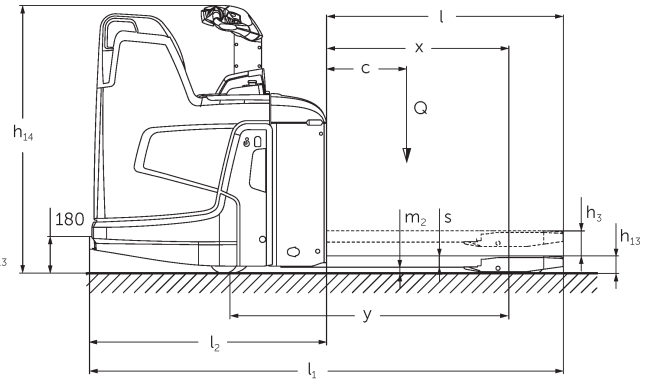
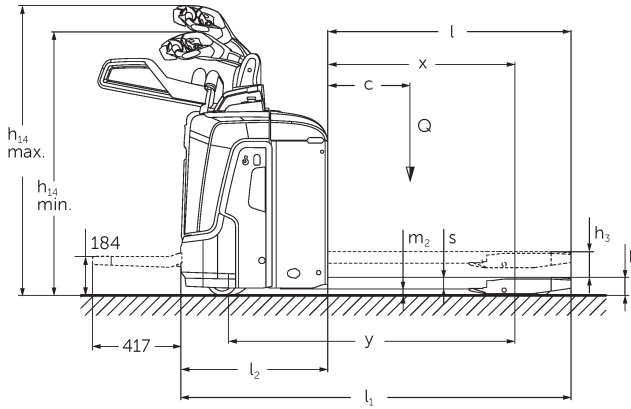
Electric ride-on/pedestrian pallet truck

ERE 120-230

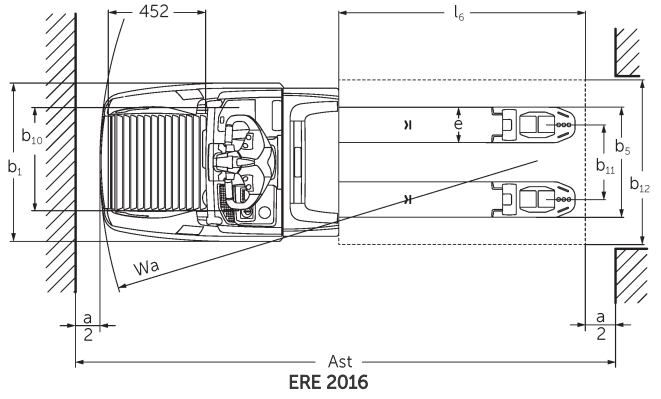
Lift height: 122 mm / Load capacity: 2000-3000 kg



ERE 120-230



ERE 120-230



ERE 2016

VDI table

| | | | | Jungheinrich | | | | | |
|--------------------------|---------|---|--------------|-------------------------------------|-------------------|-------------|------------|----------------------|-----------|
| Characteristic | 1.1 | Manufacturer (abbreviated description) | | Jungheinrich | | | | | |
| | 1.2 | Manufacturer's type designation | | ERE 120 6km/h | ERE 120 9 km/h | ERE 125 | ERE 225 | ERE 225 drivePLUS | ERE 230 |
| | 1.3 | Drive type | | electric | | | | | |
| | 1.4 | Operation | | Tiller | | | | | |
| | 1.5 | Load capacity/load | Q kg | 2000 | | 2500 | | 3000 | |
| | 1.6 | Load centre distance | c mm | 600 | | | | | |
| | 1.8 | Load distance, centre of drive axle to fork | x mm | 908 | | | | | |
| | 1.9 | Wheelbase | y mm | 1378 | | | | | 1450 |
| | Weights | 2.1 | Netto weight | kg | 400 | | 404 | | 424 |
| 2.1.1 | | Service weight (incl. battery) | kg | 630 | | 634 | | 721 | |
| 2.2 | | Axle load laden front/rear | kg | 795 / 1825 | | 1126 / 2090 | | 1239 / 2494 | |
| 2.3 | | Axle load unladen front/rear | kg | 474 / 138 | | 550 / 159 | | 565 / 160 | |
| Wheels/suspension system | 3.1 | Tyres | | Vulkollan ®/PU + quartz/Vulkollan ® | | | | | |
| | 3.2 | Tyre size, front | | Ø 230 x 65 | | Ø 230 x 77 | | | |
| | 3.3 | Tyre size, rear | | Ø 85 x 110 / Ø 85 x 85 | | | | | Ø 85 x 85 |
| | 3.4 | Additional wheels | | Ø 140 x 57 | | | | | |
| | 3.5 | Wheels, number front/back (x=driven) | | 1x +2/2 oder 4 | | | | | 1x +2/4 |
| | 3.6 | Tread width, front | b10 mm | 363 | | | | | |
| | 3.7 | Tread width, rear | b11 mm | 512 | | | | | |
| Basic dimensions | 4.4 | Lift (h3) | h3 mm | 122 | | | | | |
| | 4.9 | Height of tiller handle in drive position min./max. | h14 mm | 1137 / 1419 | | | | | |
| | 4.15 | Height, lowered | h13 mm | 85 | | | | | |
| | 4.19 | Total length | l1 mm | 1847 | | | | | 1919 |
| | 4.20 | Length including fork shank | l2 mm | 697 | | | | | 769 |
| | 4.21.1 | total width | b1 mm | 770 | | | | | |
| | 4.22 | Fork dimensions | s/ e/l mm | 55 x 172 x 1150 | | | | | |
| | 4.25 | Width across forks | b5 mm | 535 | | | | | |
| | 4.32 | Ground clearance centre of wheelbase | m2 mm | 30 | | | | | |
| | 4.34.1 | Aisle width (pallet 1000x1200 sideways) | Ast mm | 2411 | | | | | 2483 |
| | 4.34.2 | Aisle width (pallet 800x1200 length) | Ast mm | 2299 | | | | | 2372 |
| | 4.34.8 | Aisle width (pallet 800x1200 crosswise) | Ast mm | 2414 | | | | | 2486 |
| | 4.35 | Turning radius | Wa mm | 1604 | | | | | 1677 |

| | | | | | | | | | | |
|---------------------|-------|--|--------|-------------|--------|-------|-------------|----------|----------|----------|
| Performance data | 5.1 | Travel speed laden/unladen | km/h | 6 / 6 | 8 / 9 | 9 / 9 | 9.5 / 12.5 | 9.5 / 14 | 6 / 12.5 | |
| | 5.2 | Lift speed laden/unladen | m/s | 0.04 / 0.04 | | | 0.05 / 0.07 | | | |
| | 5.3 | Lowering speed laden/unladen | m/s | 0.05 / 0.04 | | | 0.05 / 0.05 | | | |
| | 5.8 | Max. gradeability laden/unladen | % | 5 / 7 | 8 / 16 | | | 6 / 16 | | |
| | 5.10 | Service brake | | generative | | | | | | |
| E-motor/Electronics | 6.1 | Drive motor, performance S2 60 min | kW | 2 | | 2.8 | 3.2 | | 2.8 | |
| | 6.2 | Lift motor, performance with S3 | kW | 1.2 | | 2.2 | | | | |
| | 6.3 | Battery according to DIN 43531/35/36 | | B | - | | | | | B |
| | 6.4 | Battery voltage/nominal capacity | V / Ah | 24 / 250 | | | | | | 24 / 375 |
| | 6.5 | Battery weight | kg | 230 | | | | | 297 | |
| | 6.6.1 | Energy consumption according to EN cycle | kWh/h | 0.4 | 0.43 | 0.4 | 0.35 | 0.39 | 0.36 | |
| | 6.6.2 | CO2 equivalent as per EN 16796 | kg/h | 0.2 | | | | | | |
| | 6.7 | Throughput | t/h | 114 | 142 | 156 | 184 | 222 | 220 | |
| | 6.8.1 | Energy consumption with max. throughput | kWh/h | 0.74 | 1.11 | 1.18 | 1.29 | 1.89 | 1.45 | |
| Other | 8.1 | Type of drive control | | AC | | | | | | |
| | 10.7 | Schalldruckpegel nach EN12053 | dB (A) | 63 | | 64 | 67 | | 64 | |

- This data sheet according to VDI guideline 2198 only states the technical values of the standard truck. Different tyres, other masts, additional equipment etc. may result in different values.

| | | | | | |
|----------------|---------|---|--------------|-------------------|-----|
| Characteristic | 1.1 | Manufacturer (abbreviated description) | | Jungheinrich | |
| | 1.2 | Manufacturer's type designation | | ERE 230 drivePLUS | |
| | 1.3 | Drive type | | electric | |
| | 1.4 | Operation | | Tiller | |
| | 1.5 | Load capacity/load | Q kg | 3000 | |
| | 1.6 | Load centre distance | c mm | 600 | |
| | 1.8 | Load distance, centre of drive axle to fork | x mm | 908 | |
| | 1.9 | Wheelbase | y mm | 1450 | |
| | Weights | 2.1 | Netto weight | kg | 424 |
| 2.1.1 | | Service weight (incl. battery) | kg | 721 | |
| 2.2 | | Axle load laden front/rear | kg | 1239 / 2494 | |
| 2.3 | | Axle load unladen front/rear | kg | 565 / 160 | |

| | | | | |
|--------------------------|---|---|----------|-------------------------------------|
| Wheels/suspension system | 3.1 | Tyres | | Vulkollan ®/PU + quartz/Vulkollan ® |
| | 3.2 | Tyre size, front | | Ø 230 x 77 |
| | 3.3 | Tyre size, rear | | Ø 85 x 85 |
| | 3.4 | Additional wheels | | Ø 140 x 57 |
| | 3.5 | Wheels, number front/back (x=driven) | | 1x +2/4 |
| | 3.6 | Tread width, front | b10 mm | 363 |
| | 3.7 | Tread width, rear | b11 mm | 512 |
| Basic dimensions | 4.4 | Lift (h3) | h3 mm | 122 |
| | 4.9 | Height of tiller handle in drive position min./max. | h14 mm | 1137 / 1419 |
| | 4.15 | Height, lowered | h13 mm | 85 |
| | 4.19 | Total length | l1 mm | 1919 |
| | 4.20 | Length including fork shank | l2 mm | 769 |
| | 4.21.1 | total width | b1 mm | 770 |
| | 4.22 | Fork dimensions | s/e/l mm | 55 x 172 x 1150 |
| | 4.25 | Width across forks | b5 mm | 535 |
| | 4.32 | Ground clearance centre of wheelbase | m2 mm | 30 |
| | 4.34.1 | Aisle width (pallet 1000x1200 sideways) | Ast mm | 2483 |
| | 4.34.2 | Aisle width (pallet 800x1200 length) | Ast mm | 2372 |
| | 4.34.8 | Aisle width (pallet 800x1200 crosswise) | Ast mm | 2486 |
| | 4.35 | Turning radius | Wa mm | 1677 |
| Performance data | 5.1 | Travel speed laden/unladen | km/h | 6 / 14 |
| | 5.2 | Lift speed laden/unladen | m/s | 0.05 / 0.07 |
| | 5.3 | Lowering speed laden/unladen | m/s | 0.05 / 0.05 |
| | 5.8 | Max. gradeability laden/unladen | % | 6 / 16 |
| | 5.10 | Service brake | | generative |
| E-motor/Electronics | 6.1 | Drive motor, performance S2 60 min | kW | 3.2 |
| | 6.2 | Lift motor, performance with S3 | kW | 2.2 |
| | 6.3 | Battery according to DIN 43531/35/36 | | B |
| | 6.4 | Battery voltage/nominal capacity | V / Ah | 24 / 375 |
| | 6.5 | Battery weight | kg | 297 |
| | 6.6.1 | Energy consumption according to EN cycle | kWh/h | 0.41 |
| | 6.6.2 | CO2 equivalent as per EN 16796 | kg/h | 0.2 |
| | 6.7 | Throughput | t/h | 266 |
| 6.8.1 | Energy consumption with max. throughput | kWh/h | 2.05 | |
| Other | 8.1 | Type of drive control | | AC |
| | 10.7 | Schalldruckpegel nach EN12053 | dB (A) | 67 |

- This data sheet according to VDI guideline 2198 only states the technical values of the standard truck. Different tyres, other masts, additional equipment etc. may result in different values.

The values in the table apply to the folding stand-on platform (folded up), M-LBE battery compartment, fork length 1,150 mm, raised support arm lift.

- VDI no. 1.8: lowered load section: $x + 56$ mm.
- VDI no. 1.9: lowered load section: $y + 56$ mm. With M-VBE, L-LBE & L high-LBE battery compartment: $y + 72$ mm; L-VBE: $y + 125$ mm.
- VDI no. 2.1: with lateral battery exchange: $+ 25$ kg.
- VDI no. 4.19: with M-VBE, L-LBE & L high-LBE battery compartment: $l1 + 72$ mm; L-VBE: $l1 + 125$ mm. With folding platform folded down: $l1 + 416$ mm; compact, fixed platform: $l1 + 357$ mm; extended, fixed platform: $l1 + 472$ mm; L platform: $l1 + 477$ mm.
- VDI no. 4.20: with M-VBE, L-LBE & L high-LBE battery compartment: $l2 + 72$ mm; L-VBE: $l2 + 125$ mm. With folding platform folded down: $l2 + 416$ mm; compact, fixed platform: $l2 + 357$ mm; extended, fixed platform: $l2 + 472$ mm; L platform: $l2 + 477$ mm.
- VDI no. 4.34.1: lowered load section: aisle width $+ 50$ mm. with folding platform folded down: aisle width $+ 416$ mm; compact, fixed platform: aisle width $+ 357$ mm; extended, fixed platform: aisle width $+ 472$ mm; L platform: aisle width $+ 477$ mm.
- VDI no. 4.34.2: with folding platform folded down: aisle width $+ 416$ mm; compact, fixed platform: aisle width $+ 357$ mm; extended, fixed platform: aisle width $+ 472$ mm; L platform: aisle width $+ 477$ mm.
- VDI no. 4.34.8: lowered load section: aisle width $+ 68$ mm. with folding platform folded down: aisle width $+ 416$ mm; compact, fixed platform: aisle width $+ 357$ mm; extended, fixed platform: aisle width $+ 472$ mm; L platform: aisle width $+ 477$ mm.
- VDI no. 4.35: lowered load section: $Wa + 56$ mm.
With M-VBE, L-LBE & L high-LBE battery compartment: $Wa + 72$ mm; L-VBE: $Wa + 125$ mm. with folding platform folded down: $Wa + 416$ mm; compact, fixed platform: $Wa + 357$ mm; extended, fixed platform: $Wa + 472$ mm; L platform: $Wa + 477$ mm.
- VDI no. 5.1: ERE 230: 9.5 km/h with 2.5 t load.

The German production facilities in
Norderstedt, Moosburg and Landsberg
are certified as well as our Genuine Parts
Center in Kaltenkirchen.

ISO 9001
ISO 14001

Jungheinrich fork lift trucks meet
European safety requirements.



 **JUNGHEINRICH**

The logo features a red upward-pointing arrow integrated into the letter 'J' of the word 'JUNGHEINRICH', which is written in a bold, black, sans-serif font.