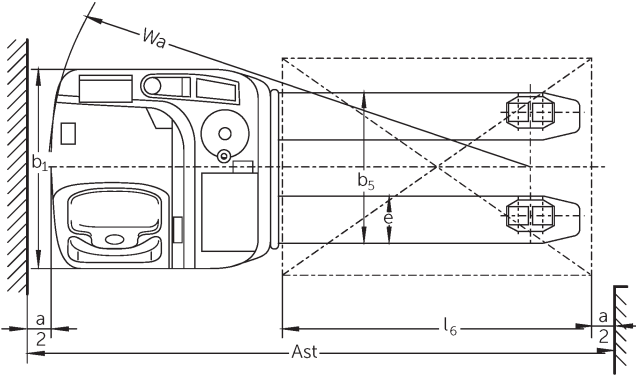
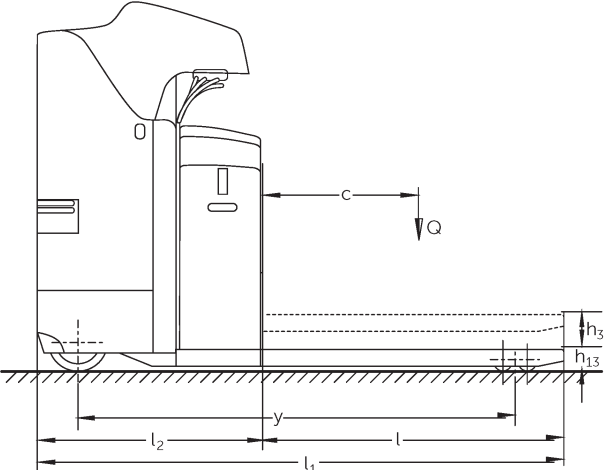




Electric stand-on pallet truck **ESE 120**

Lift height: 125 mm / Load capacity: 2000 kg

ESE 120



VDI table

Characteristic	1.1	Manufacturer (abbreviated description)			Jungheinrich
	1.2	Manufacturer's type designation			ESE 120
	1.3	Drive			Electric
	1.4	Operation			Stand-on
	1.5	Load capacity/load	Q	kg	2000
	1.6	Load centre distance	c	mm	600
	1.8	Load distance, centre of drive axle to fork	x	mm	964
	1.9	Wheelbase	y	mm	1595
	Weights	2.1.1	Service weight (incl. battery)		kg
2.2		Axle load laden front/rear		kg	1840 / 1017
2.3		Axle load unladen front/rear		kg	215 / 642
Wheels/suspension system	3.1	Tyres			Polyurethane (PU)
	3.2	Tyre size, front			Ø 230 x 77
	3.3	Tyre size, rear			Ø 85x85
	3.4	Additional wheels			Ø 140 x 57
	3.5	Wheels, number front/back (x=driven)			2 - 1x / 4
	3.6	Tread width, front	b10	mm	485
	3.7	Tread width, rear	b11	mm	370
Basic dimensions	4.4	Lift (h3)	h3	mm	125
	4.15	Height, lowered	h13	mm	90
	4.19	total length	l1	mm	2024
	4.20	Length including fork shank	l2	mm	874
	4.21.1	total width	b1	mm	760
	4.22	Fork dimensions	s/e/l	mm	55 x 170 x 1150
	4.25	Width across forks	b5	mm	540
	4.32	Ground clearance centre of wheelbase	m2	mm	30
	4.34.2	Aisle width (pallet 800x1200 length)	Ast	mm	2274
	4.35	Turning radius	Wa	mm	1838
Performance data	5.1	Travel speed laden/unladen		km/h	10 / 12.5
	5.2	Lift speed laden/unladen		m/s	0.04 / 0.05
	5.3	Lowering speed laden/unladen		m/s	0.07 / 0.05
	5.8	Max. gradeability laden/unladen		%	6 / 12
	5.10	Service brake			generative

E-motor/Electronics	6.1	Drive motor, performance S2 60 min	kW	2.8
	6.2	Lift motor, performance with S3	kW	2
	6.3	Battery according to DIN 43531/35/36		B
	6.4	Battery voltage/nominal capacity	V / Ah	24 / 375
	6.5	Battery weight	kg	297
	6.6	Energy consumption according to VDI cycle	kWh/h	0
	6.6.1	Energy consumption according to EN cycle	kWh/h	0.35
	6.6.2	CO2 equivalent as per EN 16796	kg/h	0.2
Other	8.1	Type of drive control		AC

- This data sheet according to VDI guideline 2198 only states the technical values of the standard truck. Different tyres, other masts, additional equipment etc. may result in different values.

The values in the table apply for the L battery compartment, fork length 1,150 mm, raised support arm lift.

- VDI no. 1.8: lowered load section: x + 90 mm.
- VDI no. 1.9: lowered load section: y + 65 mm.
- VDI no. 4.20: XL battery compartment: l2 + 72 mm.
- VDI no. 4.34: diagonal as per VDI: aisle width + 188 mm.

The German production facilities in
Norderstedt, Moosburg and Landsberg ISO 9001
are certified as well as our Genuine Parts ISO 14001
Center in Kaltenkirchen.

**JUNGHEINRICH**