



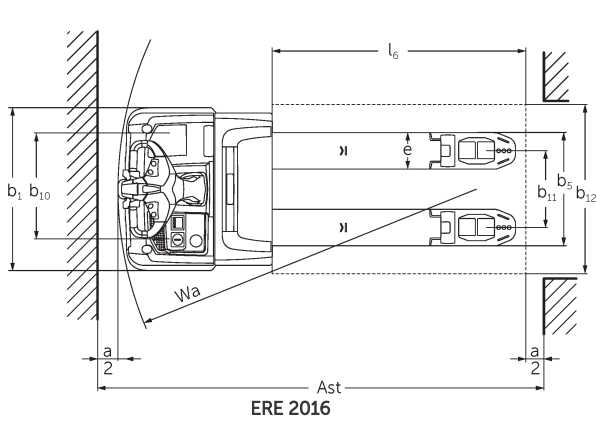
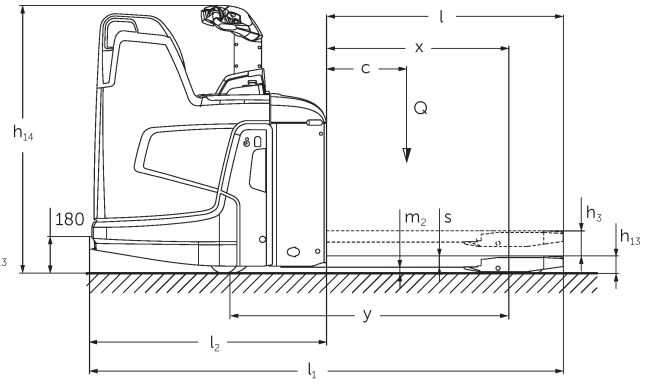
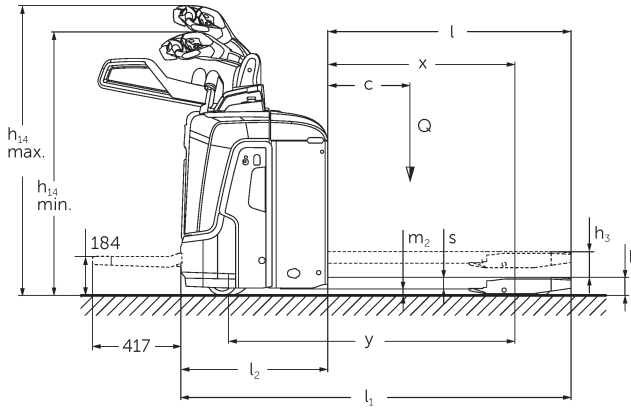
Electric ride-on/pedestrian pallet truck

ERE 120-230

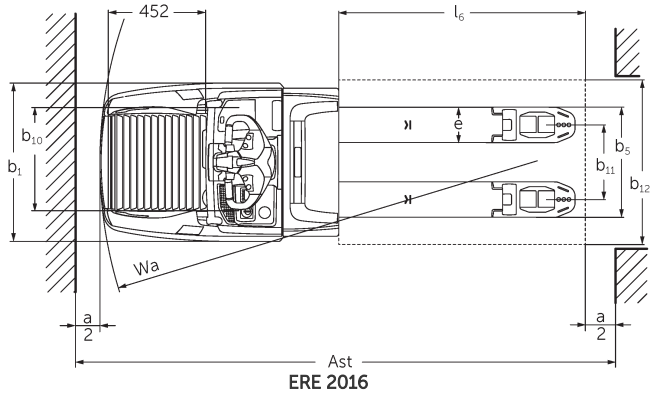
Lift height: 122 mm / Load capacity: 2000-3000 kg

JUNGHEINRICH

ERE 120-230



ERE 120-230



ERE 2016

VDI table

				Jungheinrich							
Characteristic	1.1	Manufacturer (abbreviated description)									
	1.2	Manufacturer's type designation		ERE 120 6km/h	ERE 120 9 km/h	ERE 125	ERE 225	ERE 225 drivePLUS	ERE 230	ERE 230 drivePLUS	
	1.3	Drive type		electric							
	1.4	Operation		Tiller							
	1.5	Load capacity/load	Q	kg	2000		2500		3000		
	1.6	Load centre distance	c	mm	600						
	1.8	Load distance, centre of drive axle to fork	x	mm	908						
	1.9	Wheelbase	y	mm	1378				1450		
	Weights	2.1	Netto weight		kg		400		404		424
2.1.1		Service weight (incl. battery)		kg		630		634		721	
2.2		Axle load laden front/rear		kg		795 / 1825		1126 / 2090		1239 / 2494	
2.3		Axle load unladen front/rear		kg		474 / 138		550 / 159		565 / 160	
Wheels/chassis	3.1	Tyres		Vulkollan ®/PU + quartz/Vulkollan ®							
	3.2	Tyre size, front		Ø 230 x 65		Ø 230 x 77					
	3.3	Tyre size, rear		Ø 85 x 110 / Ø 85 x 85				Ø 85 x 85			
	3.4	Additional wheels		Ø 140 x 57							
	3.5	Wheels, number front/back (x=driven)		1x +2/2 oder 4				1x +2/4			
	3.6	Tread width, front	b10	mm	363						
	3.7	Tread width, rear	b11	mm	512						
Basic dimensions	4.4	Lift (h3)		h3		mm				122	
	4.9	Height of tiller handle in drive position min./max.		h14		mm				1137 / 1419	
	4.15	Height, lowered		h13		mm				85	
	4.19	Total length		l1		mm				1847	
	4.20	Length including fork shank		l2		mm				697	
	4.21.1	total width		b1		mm				770	
	4.22	Fork dimensions		s/ e/l		mm				55 x 172 x 1150	
	4.25	Width across forks		b5		mm				535	
	4.32	Ground clearance centre of wheelbase		m2		mm				30	
	4.34.1	Aisle width (pallet 1000x1200 sideways)		Ast		mm				2411	
	4.34.2	Aisle width (pallet 800x1200 length)		Ast		mm				2299	
	4.34.8	Aisle width (pallet 800x1200 crosswise)		Ast		mm				2414	
	4.35	Turning radius		Wa		mm				1604	

Performance data	5.1	Travel speed laden/unladen	km/h	6 / 6	8 / 9	9 / 9	9.5 / 12.5	9.5 / 14	6 / 12.5	6 / 14	
	5.2	Lift speed laden/unladen	m/s	0.04 / 0.04			0.05 / 0.07				
	5.3	Lowering speed laden/unladen	m/s	0.05 / 0.04			0.05 / 0.05				
	5.8	Max. gradeability laden/unladen	%	5 / 7	8 / 16				6 / 16		
	5.10	Service brake		generative							
Electric motor/electronics	6.1	Drive motor, performance S2 60 min	kW	2		2.8	3.2	2.8	3.2		
	6.2	Lift motor, performance with S3	kW	1.2		2.2					
	6.3	Battery according to DIN 43531/35/36		B	-				B		
	6.4	Battery voltage/nominal capacity	V / Ah	24 / 250					24 / 375		
	6.5	Battery weight	kg	230					297		
	6.6.1	Energy consumption according to EN cycle	kWh/h	0.4	0.43	0.4	0.35	0.39	0.36	0.41	
	6.6.2	CO2 equivalent as per EN 16796	kg/h	0.2							
	6.7	Throughput	t/h	114	142	156	184	222	220	266	
	6.8.1	Energy consumption with max. throughput	kWh/h	0.74	1.11	1.18	1.29	1.89	1.45	2.05	
	Other	8.1	Type of drive control		AC						
10.7		Sound pressure level according to EN12053	dB (A)	63		64	67	64	67		

- This data sheet according to VDI guideline 2198 only states the technical values of the standard truck. Different tyres, other masts, additional equipment etc. may result in different values.

The values in the table apply to the folding stand-on platform (folded up), M-LBE battery compartment, fork length 1,150 mm, raised support arm lift.

- VDI no. 1.8: lowered load section: $x + 56$ mm.
 - VDI no. 1.9: lowered load section: $y + 56$ mm. With M-VBE, L-LBE & L high-LBE battery compartment: $y + 72$ mm; L-VBE: $y + 125$ mm.
 - VDI no. 2.1: with lateral battery exchange: $+ 25$ kg.
 - VDI no. 4.19: with M-VBE, L-LBE & L high-LBE battery compartment: $l_1 + 72$ mm; L-VBE: $l_1 + 125$ mm. With folding platform folded down: $l_1 + 416$ mm; compact, fixed platform: $l_1 + 357$ mm; extended, fixed platform: $l_1 + 472$ mm; L platform: $l_1 + 477$ mm.
 - VDI no. 4.20: with M-VBE, L-LBE & L high-LBE battery compartment: $l_2 + 72$ mm; L-VBE: $l_2 + 125$ mm. With folding platform folded down: $l_2 + 416$ mm; compact, fixed platform: $l_2 + 357$ mm; extended, fixed platform: $l_2 + 472$ mm; L platform: $l_2 + 477$ mm.
 - VDI no. 4.34.1: lowered load section: aisle width $+ 50$ mm. with folding platform folded down: aisle width $+ 416$ mm; compact, fixed platform: aisle width $+ 357$ mm; extended, fixed platform: aisle width $+ 472$ mm; L platform: aisle width $+ 477$ mm.
 - VDI no. 4.34.2: with folding platform folded down: aisle width $+ 416$ mm; compact, fixed platform: aisle width $+ 357$ mm; extended, fixed platform: aisle width $+ 472$ mm; L platform: aisle width $+ 477$ mm.
 - VDI no. 4.34.8: lowered load section: aisle width $+ 68$ mm. with folding platform folded down: aisle width $+ 416$ mm; compact, fixed platform: aisle width $+ 357$ mm; extended, fixed platform: aisle width $+ 472$ mm; L platform: aisle width $+ 477$ mm.
 - VDI no. 4.35: lowered load section: $W_a + 56$ mm.
- With M-VBE, L-LBE & L high-LBE battery compartment: $W_a + 72$ mm; L-VBE: $W_a + 125$ mm. with folding platform folded down: $W_a + 416$ mm; compact, fixed platform: $W_a + 357$ mm; extended, fixed platform: $W_a + 472$ mm; L platform: W_a

+ 477 mm.

- VDI no. 5.1: ERE 230: 9.5 km/h with 2.5 t load.

The German production facilities in
Norderstedt, Moosburg and Landsberg
are certified as well as our Genuine Parts
Center in Kaltenkirchen.

ISO 9001
ISO 14001

Jungheinrich fork lift trucks meet
European safety requirements.



 **JUNGHEINRICH**

The logo features a red upward-pointing arrow integrated into the letter 'J' of the word 'JUNGHEINRICH', which is written in a bold, black, sans-serif font.