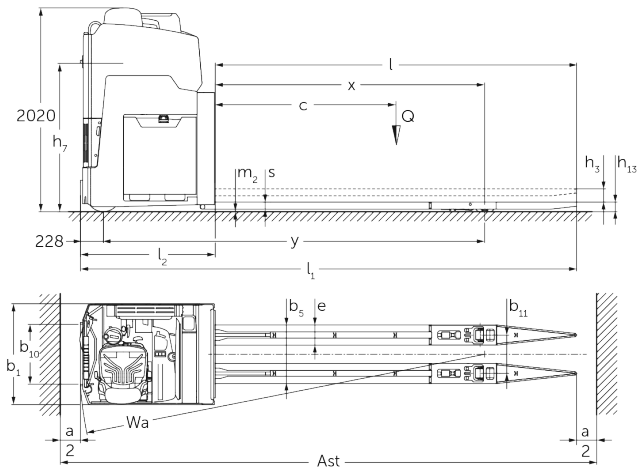




## Electric sideways-seated pallet truck **ESE 533**

Lift height: 115 mm / Load capacity: 3300 kg

# ESE 533



## VDI table

Characteristic	1.1	Manufacturer (abbreviated description)			Jungheinrich
	1.2	Manufacturer's type designation			ESE 533
	1.3	Drive type			electric
	1.4	Operation			Seat
	1.5	Load capacity/load	Q	kg	3300
	1.6	Load centre distance	c	mm	1800
	1.8	Load distance, centre of drive axle to fork	x	mm	2673
	1.9	Wheelbase	y	mm	3785
	Weights	2.1.1	Service weight (incl. battery)		kg
2.2		Axle load laden front/rear		kg	3555 / 3240
2.3		Axle load unladen front/rear		kg	2745 / 745
Wheels/chassis	3.1	Tyres			Vulkollan®
	3.2	Tyre size, front			Ø 343 x 140
	3.3	Tyre size, rear			Ø 90 x 100
	3.5	Wheels, number front/back (x=driven)			2x / 4
	3.6	Tread width, front	b10	mm	592
	3.7	Tread width, rear	b11	mm	380
	Basic dimensions	4.4	Lift (h3)	h3	mm
4.8		Seat height/stand height	h7	mm	1470
4.15		Height, lowered	h13	mm	95
4.19		Total length	l1	mm	4895
4.20		Length including fork shank	l2	mm	1340
4.21.1		total width	b1	mm	1000
4.22		Fork dimensions	s/e/l	mm	70 x 200 x 3600
4.25		Width across forks	b5	mm	580
4.32		Ground clearance centre of wheelbase	m2	mm	20
4.34.2		Aisle width (pallet 800x1200 length)	Ast	mm	5340
4.35		Turning radius	Wa	mm	4025
Performance data	5.1	Travel speed laden/unladen		km/h	20 / 20
	5.2	Lift speed laden/unladen		m/s	0.06 / 0.06
	5.3	Lowering speed laden/unladen		m/s	0.05 / 0.05
	5.7	Gradeability laden/unladen		%	5 / 10
	5.10	Service brake			electric

Electric motor/electronics	6.1	Drive motor, performance S2 60 min	kW	8.5
	6.1.1	2. Drive motor, performance S2 60 min	kW	8.5
	6.2	Lift motor, performance with S3	kW	2
	6.3	Battery according to DIN 43531/35/36		no
	6.4	Battery voltage/nominal capacity	V / Ah	48 / 1000
	6.5	Battery weight	kg	1450
	6.6	Energy consumption according to VDI cycle	kWh/h	0
	6.6.1	Energy consumption according to EN cycle	kWh/h	0.92
	6.6.2	CO2 equivalent as per EN 16796	kg/h	0.5
Other	8.1	Type of drive control		Mosfet/AC
<p>- This data sheet according to VDI guideline 2198 only states the technical values of the standard truck. Different tyres, other masts, additional equipment etc. may result in different values.</p>				

The German production facilities in  
Norderstedt, Moosburg and Landsberg  
are certified as well as our Genuine Parts  
Center in Kaltenkirchen.

ISO 9001  
ISO 14001

Jungheinrich fork lift trucks meet  
European safety requirements.



 **JUNGHEINRICH**

The logo features a red upward-pointing arrow integrated into the letter 'J' of the word 'JUNGHEINRICH', which is written in a bold, black, sans-serif font.