



## Electric stand-on and sideways-seated stacker

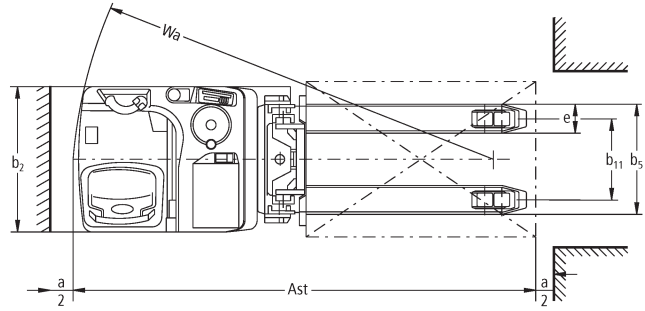
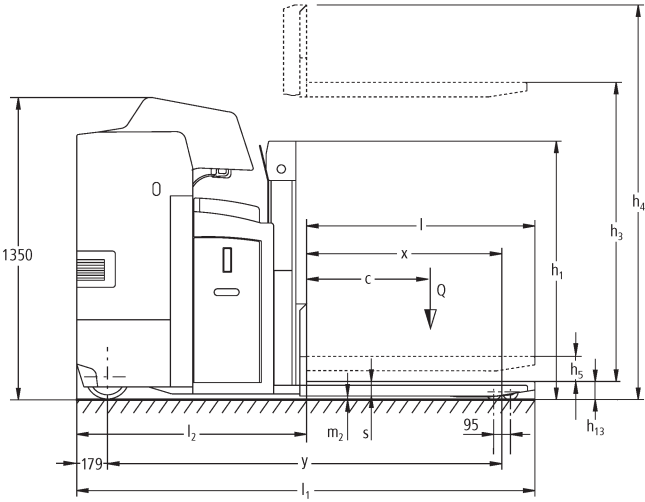
**ESD 120**

Lift height: 1660-1960 mm / Load capacity: 2000 kg

**LI-ION**  
technology

**JUNGHEINRICH**

# ESD 120



# ESD 120

ESD 120	Lift (h3)	Retracted mast height (h1)	Free lift (h2)	Extended mast height (h4)
Duplex mast ZT	1660 mm	1250 mm	100 mm	2200 mm
	1960 mm	1425 mm	100 mm	2500 mm

## VDI table

Characteristic	1.1	Manufacturer (abbreviated description)		Jungheinrich
	1.2	Manufacturer's type designation		ESD 120
	1.3	Drive		Electric
	1.4	Operation		Stand-on
	1.5	Load capacity/load	Q kg	2000
	1.5.1	Rated capacity/load with mast lift	Q kg	1000
	1.5.2	Rated capacity/load with support arm lift	Q kg	2000
	1.6	Load centre distance	c mm	600
	1.8	Load distance, centre of drive axle to fork	x mm	930
	1.9	Wheelbase	y mm	1835
Weights	2.1	tare weight	kg	1258
	2.1.1	Service weight (incl. battery)	kg	1258
	2.2	Axle load laden front/rear	kg	1220 / 2038
	2.3	Axle load unladen front/rear	kg	884 / 374
Wheels/suspension system	3.1	Tyres		Polyurethane (PU)
	3.2	Tyre size, front		Ø 230 x 77
	3.3	Tyre size, rear		Ø 85 x 75
	3.4	Additional wheels		Ø 140 x 57
	3.5	Wheels, number front/back (x=driven)		1 + 1x / 4
	3.6	Tread width, front	b10 mm	485
	3.7	Tread width, rear	b11 mm	380
Basic dimensions	4.2	Retracted mast height (h1)	h1 mm	1250
	4.3	Free lift (h2)	h2 mm	100
	4.4	Lift (h3)	h3 mm	1660
	4.5	Extended mast height (h4)	h4 mm	2200
	4.6	Initial lift	h5 mm	105
	4.8	Seat height/stand height	h7 mm	245
	4.15	Height, lowered	h13 mm	90
	4.19	total length	l1 mm	2260
	4.20	Length including fork shank	l2 mm	1070
	4.21.1	total width	b1 mm	760
	4.22	Fork dimensions	s/e/l mm	60 x 190 x 1190
	4.25	Width across forks	b5 mm	570
	4.32	Ground clearance centre of wheelbase	m2 mm	20
	4.34.2	Aisle width (pallet 800x1200 length)	Ast mm	2485
	4.35	Turning radius	Wa mm	2015

Performance data	5.1	Travel speed laden/unladen	km/h	10 / 12
	5.2	Lift speed laden/unladen	m/s	0.14 / 0.22
	5.3	Lowering speed laden/unladen	m/s	0.23 / 0.17
	5.8	Max. gradeability laden/unladen	%	6 / 12
	5.10	Service brake		generative
E-motor/Electronics	6.1	Drive motor, performance S2 60 min	kW	2.8
	6.2	Lift motor, performance with S3	kW	2.2
	6.3	Battery according to DIN 43531/35/36		B
	6.4	Battery voltage/nominal capacity	V / Ah	24 / 375
	6.5	Battery weight	kg	297
	6.6	Energy consumption according to VDI cycle	kWh/h	0
	6.6.1	Energy consumption according to EN cycle	kWh/h	0.66
	6.6.2	CO2 equivalent as per EN 16796	kg/h	0.4
Other	8.1	Type of drive control		AC
<p>- This data sheet according to VDI guideline 2198 only states the technical values of the standard truck. Different tyres, other masts, additional equipment etc. may result in different values.</p>				

The values in the table apply for the L-LBE battery compartment, ZT1660 mast, raised support arm lift.

- VDI no. 1.5: in double-decker mode: mast lift max. 1 t / overall load max. 2 t.
- VDI no. 1.5.2: in double-decker mode: mast lift max. 1 t / overall load max. 2 t.
- VDI no. 1.8: lowered support arm lift:  $x + 70$  mm.
- VDI no. 1.9: lowered support arm lift:  $y + 70$  mm. with XL-LBE battery compartment:  $y + 72$  mm.
- VDI no. 4.19: with XL-LBE battery compartment:  $l1 + 72$  mm.
- VDI no. 4.20: with XL-LBE battery compartment:  $l2 + 72$  mm.
- VDI no. 4.34.1: with XL-LBE battery compartment: aisle width + 72 mm.
- VDI no. 4.35: lowered support arm lift:  $Wa + 70$  mm. with XL-LBE battery compartment:  $Wa + 72$  mm.

The German production facilities in  
Norderstedt, Moosburg and Landsberg  
are certified as well as our Genuine Parts  
Center in Kaltenkirchen. ISO 9001  
ISO 14001

**JUNGHEINRICH**