

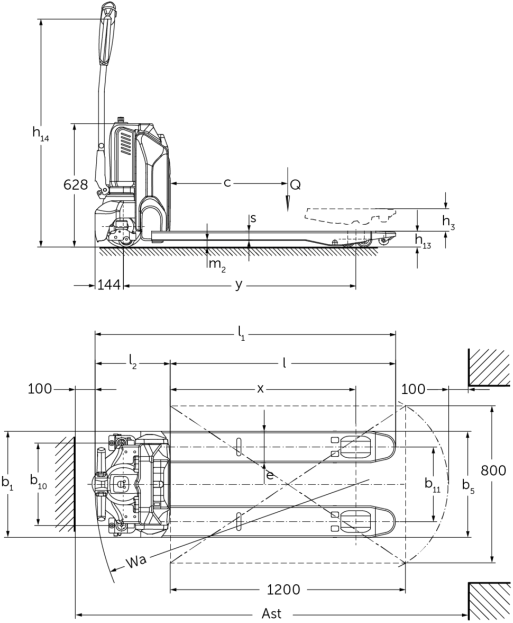


Electric pedestrian pallet truck

AME 15

Lift height: 115 mm / Load capacity: 1500 kg

AME 15



VDI table

Characteristic	1.1	Manufacturer (abbreviated description)		Jungheinrich				
	1.2	Manufacturer's type designation		AME 15				
	1.3	Drive		Electric				
	1.4	Operation		Pedestrian				
	1.5	Load capacity/load	Q kg	1500				
	1.6	Load centre distance	c mm	600				
	1.8	Load distance, centre of drive axle to fork	x mm	597	797	947	797	947
	1.9	Wheelbase	y mm	833	1033	1183	1033	1183
Weights	2.1.1	Service weight (incl. battery)	kg	120	122	123	125	126
	2.2	Axle load laden front/rear	kg	620 / 1000	622 / 1000	623 / 1000	625 / 1000	626 / 1000
	2.3	Axle load unladen front/rear	kg	91 / 29	93 / 29	94 / 29	96 / 29	97 / 29
Wheels/suspension system	3.1	Tyres		Polyurethane (PU)				
	3.2	Tyre size, front		Ø210 x 70				
	3.3	Tyre size, rear		Ø80 x 70				
	3.5	Wheels, number front/back (x=driven)		1x / 4				
	3.7	Tread width, rear	b11 mm	380			525	
Basic dimensions	4.4	Lift (h3)	h3 mm	115				
	4.9	Height of tiller handle in drive position min./max.	h14 mm	700 / 1160				
	4.15	Height, lowered	h13 mm	80				
	4.19	total length	l1 mm	1180	1380	1530	1380	1530
	4.20	Length including fork shank	l2 mm	380				
	4.21.1	total width	b1 mm	540			685	
	4.22	Fork dimensions	s/ e/l mm	47 x 160 x 800	47 x 160 x 1000	47 x 160 x 1150	47 x 160 x 1000	47 x 160 x 1150
	4.25	Width across forks	b5 mm	540			685	
	4.32	Ground clearance centre of wheelbase	m2 mm	33				
	4.34.2	Aisle width (pallet 800x1200 length)	Ast mm	1783			-	
	4.34.8	Aisle width (pallet 800x1200 crosswise)	Ast mm	1583		1733	1583	1733
4.35	Turning radius	Wa mm	980	1180	1330	1180	1330	
Performance data	5.1	Travel speed laden/unladen	km/h	4.6 / 4.8				
	5.2	Lift speed laden/unladen	m/s	0.02 / 0.02				
	5.3	Lowering speed laden/unladen	m/s	0.05 / 0.04				
	5.8	Max. gradeability laden/unladen	%	4 / 16				
	5.10	Service brake		electromagnetic				

E-motor/Electronics	6.1	Drive motor, performance S2 60 min	kW	0.65
	6.2	Lift motor, performance with S3	kW	0.5
	6.4	Battery voltage/nominal capacity	V / Ah	24 / 36
	6.5	Battery weight	kg	7
	6.6	Energy consumption according to VDI cycle	kWh/h	0.18
Other	8.1	Type of drive control		Impulse/DC
	10.7	Sound level as per EN12053, operator's ear	dB (A)	70

- This data sheet according to VDI guideline 2198 only states the technical values of the standard truck. Different tyres, other masts, additional equipment etc. may result in different values.

The German production facilities in
Norderstedt, Moosburg and Landsberg ISO 9001
are certified as well as our Genuine Parts ISO 14001
Center in Kaltenkirchen.

**JUNGHEINRICH**