

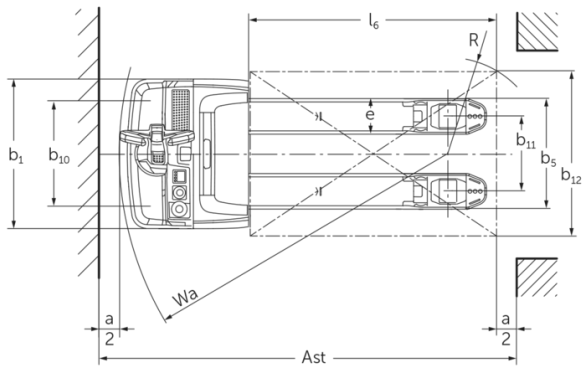
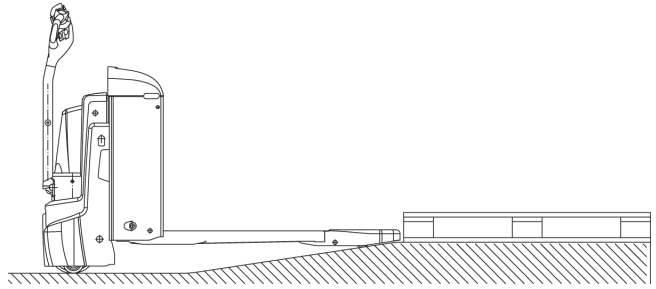
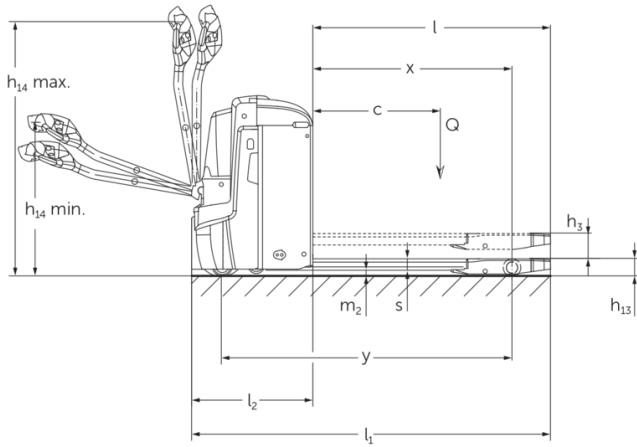


## **Electric pedestrian pallet truck**

**EJE 222r / 225r**

Lift height: 122 mm / Load capacity: 2200-2500 kg

# EJE 222r / 225r



## VDI table

|                          |                |   |                                |                         |
|--------------------------|----------------|---|--------------------------------|-------------------------|
| Characteristic           | 1.1            | Manufacturer (abbreviated description)              |                                | Jungheinrich            |
|                          | 1.2            | Manufacturer's type designation                     |                                | EJE 2r                  |
|                          | 1.3            | Drive   |                                | Electric                |
|                          | 1.4            | Operation   |                                | Pedestrian              |
|                          | 1.5            | Load capacity/load                                  | Q kg                           | 2200   2500             |
|                          | 1.6            | Load centre distance                                | c mm                           | 600                     |
|                          | 1.8            | Load distance, centre of drive axle to fork         | x mm                           | 908                     |
|                          | 1.9            | Wheelbase   | y mm                           | 1351                    |
|                          | Weights        | 2.1.1   | Service weight (incl. battery) | kg                      |
| 2.2                      |                | Axle load laden front/rear                          | kg                             | 889 / 1885   980 / 2087 |
| 2.3                      |                | Axle load unladen front/rear                        | kg                             | 418 / 142               |
| Wheels/suspension system | 3.1            | Tyres   |                                | Polyurethane (PU)       |
|                          | 3.2            | Tyre size, front                                    |                                | Ø 230 x 70              |
|                          | 3.3            | Tyre size, rear                                     |                                | Ø 85 x 110              |
|                          | 3.4            | Additional wheels                                   |                                | Ø 100 x 40              |
|                          | 3.5            | Wheels, number front/back (x=driven)                |                                | 1x +2 / 2               |
|                          | 3.6            | Tread width, front                                  | b10 mm                         | 510                     |
|                          | 3.7            | Tread width, rear                                   | b11 mm                         | 363                     |
| Basic dimensions         | 4.4            | Lift (h3)   | h3 mm                          | 122                     |
|                          | 4.9            | Height of tiller handle in drive position min./max. | h14 mm                         | 750 / 1237              |
|                          | 4.15           | Height, lowered                                     | h13 mm                         | 85                      |
|                          | 4.19           | total length  | l1 mm                          | 1737                    |
|                          | 4.20           | Length including fork shank                         | l2 mm                          | 587                     |
|                          | 4.21.1         | total width   | b1 mm                          | 724                     |
|                          | 4.22           | Fork dimensions                                     | s/e/l mm                       | 55 x 172 x 1150         |
|                          | 4.25           | Width across forks                                  | b5 mm                          | 535                     |
|                          | 4.32           | Ground clearance centre of wheelbase                | m2 mm                          | 30                      |
|                          | 4.34.1         | Aisle width (pallet 1000x1200 sideways)             | Ast mm                         | 2338                    |
|                          | 4.34.2         | Aisle width (pallet 800x1200 length)                | Ast mm                         | 2227                    |
| 4.35                     | Turning radius | Wa mm   | 1532                           |                         |
| Performance data         | 5.1            | Travel speed laden/unladen                          | km/h                           | 6 / 6                   |
|                          | 5.2            | Lift speed laden/unladen                            | m/s                            | 0.05 / 0.07             |
|                          | 5.3            | Lowering speed laden/unladen                        | m/s                            | 0.05 / 0.04             |
|                          | 5.8            | Max. gradeability laden/unladen                     | %                              | 8 / 20                  |
|                          | 5.10           | Service brake                                       |                                | generative              |

|  |       |  |        |          |      |
|--|-------|--|--------|----------|------|
| E-motor/Electronics  | 6.1   | Drive motor, performance S2 60 min         | kW     | 1.7      |      |
|  | 6.2   | Lift motor, performance with S3            | kW     | 2.2      |      |
|  | 6.4   | Battery voltage/nominal capacity           | V / Ah | 24 / 250 |      |
|  | 6.5   | Battery weight                             | kg     | 220      |      |
|  | 6.6.1 | Energy consumption according to EN cycle   | kWh/h  | 0.35     | 0.37 |
|  | 6.6.2 | CO2 equivalent as per EN 16796             | kg/h   | 0.2      |      |
|  | 6.7   | Throughput                                 | t/h    | 123      | 148  |
|  | 6.8.1 | Energy consumption with max. throughput    | kWh/h  | 0.77     | 0.82 |
| Other  | 8.1   | Type of drive control                      |        | AC       |      |
|  | 10.7  | Sound level as per EN12053, operator's ear | dB (A) | 70       |      |
| <p>- This data sheet according to VDI guideline 2198 only states the technical values of the standard truck. Different tyres, other masts, additional equipment etc. may result in different values.</p> |       |  |        |          |      |

- VDI no. 1.8: 1.9: 4.35: lowered load section: + 56 mm

- VDI no. 4.34: lowered load section: + 25 mm

- VDI no. 1.9: 4.19: 4.19.1: 4.20: 4.33: 4.34: 4.35: with lateral battery exchange: M - L / M LBE + 72 mm; L - L LBE + 53 mm

The German production facilities in  
Norderstedt, Moosburg and Landsberg  
are certified as well as our Genuine Parts  
Center in Kaltenkirchen. ISO 9001  
ISO 14001

**JUNGHEINRICH**