



Medium/high level order picker

EKS 110

Lift height: 1000-2800 mm / Load capacity: 1000 kg

EKS 110

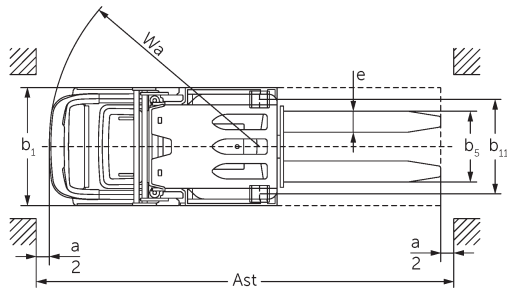
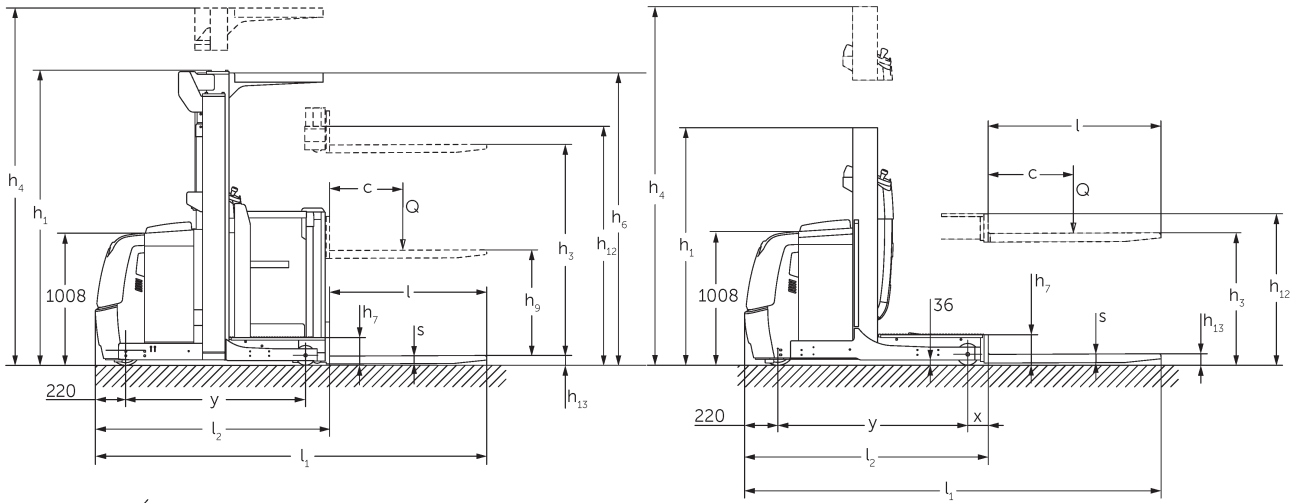


Abbildung zeigt EKS 110 Z 280 ZZ

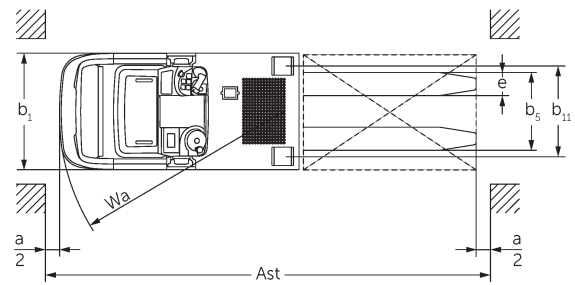


Abbildung zeigt EKS 110 L 100 E

VDI table

| | | | | | | | | | | | |
|--------------------------|---|---|--------------------------------|-----------------|------------|------------|------------|------------|------------|------------|-------------|
| Characteristic | 1.1 | Manufacturer (abbreviated description) | | Jungheinrich | | | | | | | |
| | 1.2 | Manufacturer's type designation | | EKS 110 | | | | | | | |
| | 1.3 | Drive | | Electric | | | | | | | |
| | 1.4 | Operation | | Order pickers | | | | | | | |
| | 1.5 | Load capacity/load | Q kg | 1000 | | | | | | | |
| | 1.6 | Load centre distance | c mm | 600 | | | | | | | |
| | 1.8 | Load distance, centre of drive axle to fork | x mm | 143 | 180 | 148 | 185 | | | | |
| | 1.9 | Wheelbase | y mm | 1330 | 1385 | 1330 | 1385 | | | | |
| | Weights | 2.1.1 | Service weight (incl. battery) | kg | 1661 | 1785 | 1813 | 2268 | 1763 | 1907 | 1953 |
| 2.2 | | Axle load laden front/rear | kg | 491 / 2170 | 516 / 2269 | 506 / 2307 | 762 / 2506 | 489 / 2274 | 508 / 2399 | 504 / 2449 | 754 / 2636 |
| 2.3 | | Axle load unladen front/rear | kg | 1053 / 608 | 1093 / 692 | 1084 / 729 | 1336 / 932 | 1062 / 701 | 1083 / 824 | 1079 / 874 | 1328 / 1062 |
| Wheels/suspension system | 3.1 | Tyres | | Vulkollan® | | | | | | | |
| | 3.2 | Tyre size, front | | ø 230 x 80 | | | | | | | |
| | 3.3 | Tyre size, rear | | ø 150 x 130 | | | | | | | |
| | 3.5 | Wheels, number front/back (x=driven) | | 1x / 2 | | | | | | | |
| | 3.7 | Tread width, rear | b11 mm | 630 | 720 | 630 | 720 | | | | |
| Basic dimensions | 4.2 | Retracted mast height (h1) | h1 mm | 1650 | 2260 | 2560 | 2250 | 1650 | 2260 | 2560 | 2250 |
| | 4.4 | Lift (h3) | h3 mm | 1000 | 1600 | 1900 | 2800 | 1000 | 1600 | 1900 | 2800 |
| | 4.5 | Extended mast height (h4) | h4 mm | 2650 | 3830 | 4130 | 5030 | 2650 | 3830 | 4130 | 5030 |
| | 4.7 | Height of overhead guard (cab) | h6 mm | - | 2230 | - | 2230 | | | | |
| | 4.8.1 | Stand height | h7 mm | 200 | | | | | | | |
| | 4.11 | Additional lift | h9 mm | - | | | | 800 | | | |
| | 4.14 | Stand height, elevated | h12 mm | 1200 | 1800 | 2100 | 3000 | 1200 | 1800 | 2100 | 3000 |
| | 4.15 | Height, lowered | h13 mm | 80 | | | | | | | |
| | 4.19 | total length | l1 mm | 2890 | 2980 | 2895 | 2985 | | | | |
| | 4.20 | Length including fork shank | l2 mm | 1690 | 1780 | 1695 | 1785 | | | | |
| | 4.21.1 | total width | b1 mm | 810 | 900 | 810 | 900 | | | | |
| | 4.22 | Fork dimensions | s/ e/l mm | 60 x 160 x 1200 | | | | | | | |
| | 4.25 | Width across forks | b5 mm | 540 | | | | | | | |
| | 4.26 | Width between support arms/ loading areas | b4 mm | 430 | 520 | 430 | 520 | | | | |
| | 4.27 | Width over guide rollers | b6 mm | 970 | 1060 | 970 | 1060 | | | | |
| 4.31 | Ground clearance laden under mast | m1 mm | 35 | | | | | | | | |
| 4.34.1 | Aisle width (pallet 1000x1200 sideways) | Ast mm | 3039 | 3127 | 3039 | 3127 | | | | | |

| | | | | | | | | | | | |
|---|--------|---|--------|--|-----------------|------------------|----------------|------------------|-----------------|------------------|----------------|
| | 4.34.2 | Aisle width (pallet 800x1200 length) | Ast mm | 3149 | | | 3240 | 3154 | | | 3245 |
| | 4.35 | Turning radius | Wa mm | 1548 | | | 1603 | 1548 | | | 1603 |
| Performance data | 5.1 | Travel speed laden/unladen (Efficiency drivePLUS) | km/h | 9 / 10 10 / 13 | 9 / 9 10 / 12 | 9 / 9 9.5 / 12 | 9 / 9 9 / 11 | 9 / 10 10 / 13 | 9 / 9 10 / 12 | 9 / 9 9.5 / 12 | 9 / 9 9 / 11 |
| | 5.2 | Lift speed laden/unladen | m/s | 0.19 / 0.26 | 0.15 / 0.2 | | 0.23 / 0.31 | 0.19 / 0.26 | 0.15 / 0.2 | | 0.23 / 0.31 |
| | 5.3 | Lowering speed laden/unladen | m/s | 0.24 / 0.24 | 0.23 / 0.22 | | 0.28 / 0.26 | 0.24 / 0.24 | 0.23 / 0.22 | | 0.28 / 0.26 |
| | 5.7 | Gradeability laden/unladen | % | 5 / 10 | | | | | | | |
| | 5.10 | Service brake | | generative | | | | | | | |
| | 5.11 | Parking brake | | Electromagnetic spring-loaded brake system | | | | | | | |
| E-motor/Electronics | 6.1 | Drive motor, performance S2 60 min | kW | 3.2 | | | | | | | |
| | 6.2 | Lift motor, performance with S3 | kW | 3 | | 6 | 3 | | 6 | | |
| | 6.3 | Battery according to DIN 43531/35/36 | | DIN 43535 B | | | | | | | |
| | 6.4 | Battery voltage/nominal capacity | V / Ah | 24 / 620 | | | | | | | |
| | 6.5 | Battery weight | kg | 480 | | | | | | | |
| | 6.6.1 | Energy consumption according to EN cycle | kWh/h | 0.42 | | | | | | | |
| Other | 8.1 | Type of drive control | | AC | | | | | | | |
| | 10.5 | Steering version | | Electric power steering | | | | | | | |
| | 10.7 | Sound level as per EN12053, operator's ear | dB (A) | 61 | | | | | | | |
| - This data sheet according to VDI guideline 2198 only states the technical values of the standard truck. Different tyres, other masts, additional equipment etc. may result in different values. | | | | | | | | | | | |

- 4.2: L100E with overhead guard 2,230 mm
- 4.5: L100E with overhead guard 3,230 mm
- 4.7: L100E and Z100E overhead guard optional

The German production facilities in
Norderstedt, Moosburg and Landsberg ISO 9001
are certified as well as our Genuine Parts ISO 14001
Center in Kaltenkirchen.

**JUNGHEINRICH**