

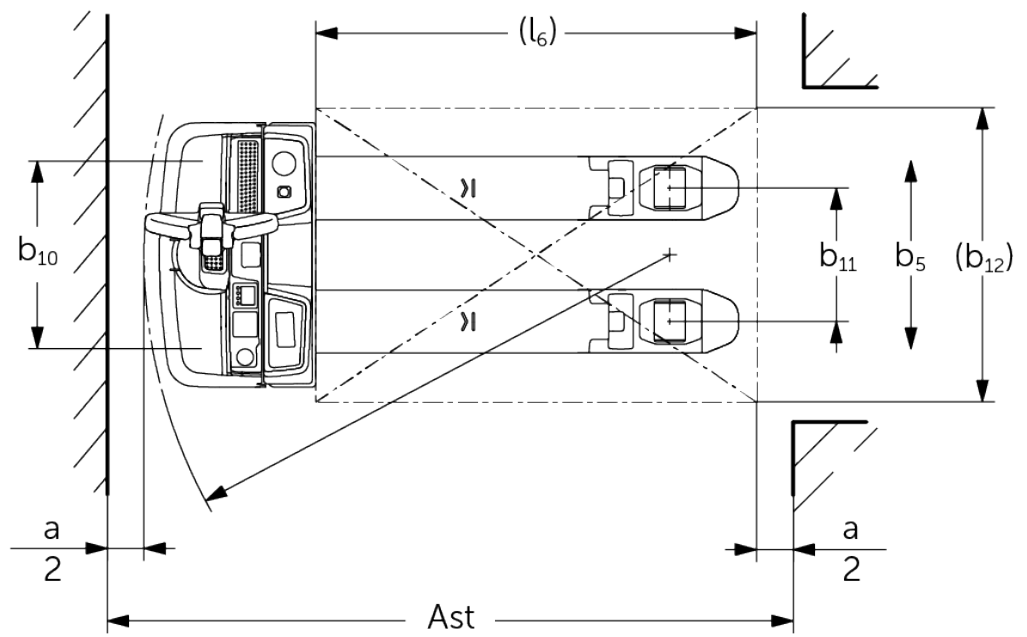
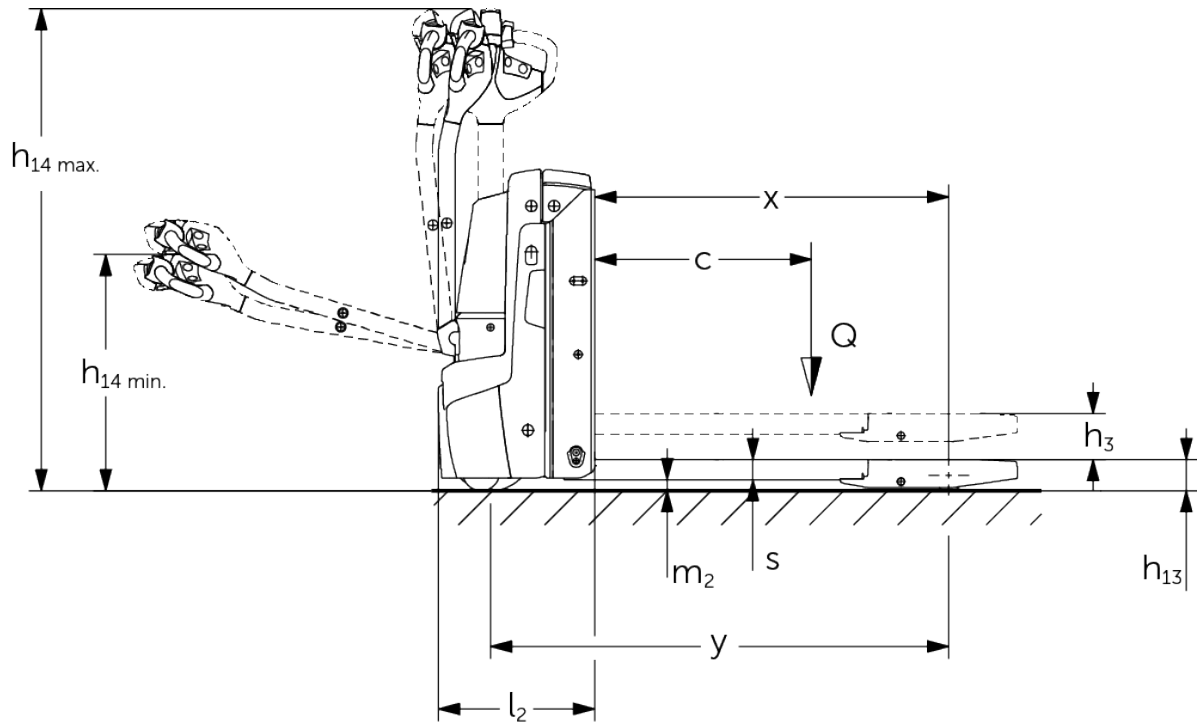


## **Electric pedestrian pallet truck** **EJE 114i-120i**

Lift height: 122 mm / Load capacity: 1400-2000 kg



# EJE 114i-120i



## VDI table

Characteristic	1.1	Manufacturer (abbreviated description)		Jungheinrich				
	1.2	Manufacturer's type designation		EJE 114i	EJE 116i	EJE 118i	EJE 120i	
	1.3	Drive type		electric				
	1.4	Operation		Pedestrian				
	1.5	Load capacity/load	Q	kg	1400	1600	1800	2000
	1.6	Load centre distance	c	mm	600			
	1.8	Load distance, centre of drive axle to fork	x	mm	897			
	1.9	Wheelbase	y	mm	1180			
	Weights	2.1.1	Service weight (incl. battery)		kg	302	313	
2.2		Axle load laden front/rear		kg	758 / 944	780 / 1133		
2.3		Axle load unladen front/rear		kg	238 / 64	243 / 70		
Wheels/chassis	3.1	Tyres		Polyurethane (PU)				
	3.2	Tyre size, front		Ø 230 x 70				
	3.3	Tyre size, rear		Ø 85 x 95	Ø 85 x 110			
	3.4	Additional wheels		Ø 100 x 40				
	3.5	Wheels, number front/back (x=driven)		1x + 2 / 2				
	3.6	Tread width, front	b10	mm	510			
	3.7	Tread width, rear	b11	mm	363			
Basic dimensions	4.4	Lift (h3)	h3	mm	122			
	4.9	Height of tiller handle in drive position min./max.	h14	mm	690 / 1235			
	4.15	Height, lowered	h13	mm	85			
	4.19	Total length	l1	mm	1575			
	4.20	Length including fork shank	l2	mm	425			
	4.21.1	total width	b1	mm	720			
	4.22	Fork dimensions	s/e/l	mm	55 x 150 x 1150	55 x 172 x 1150		
	4.25	Width across forks	b5	mm	513	535		
	4.32	Ground clearance centre of wheelbase	m2	mm	30			
	4.34.1	Aisle width (pallet 1000x1200 sideways)	Ast	mm	2173			
	4.34.2	Aisle width (pallet 800x1200 length)	Ast	mm	2066			
4.35	Turning radius	Wa	mm	1364				
Performance data	5.1	Travel speed laden/unladen		km/h	5 / 5	6 / 6		
	5.2	Lift speed laden/unladen		m/s	0.03 / 0.03	0.05 / 0.06		
	5.3	Lowering speed laden/unladen		m/s	0.05 / 0.02	0.06 / 0.05		
	5.8	Max. gradeability laden/unladen		%	8 / 20	10 / 20		
	5.10	Service brake			generative			

Electric motor/electronics	6.1	Drive motor, performance S2 60 min	kW	0.9	1.1		
	6.2	Lift motor, performance with S3	kW	1.2			
	6.3	Battery according to DIN 43531/35/36		no			
	6.4	Battery voltage/nominal capacity	V / Ah	25.6 / 50			
	6.5	Battery weight	kg	23.8			
	6.6.1	Energy consumption according to EN cycle	kWh/h	0.3	0.31	0.33	0.35
	6.6.2	CO2 equivalent as per EN 16796	kg/h	0.2			
	6.7	Throughput	t/h	59	101	117	129
Other	8.1	Type of drive control		AC			
	10.7	Sound pressure level according to EN12053	dB (A)	61	58		
- This data sheet according to VDI guideline 2198 only states the technical values of the standard truck. Different tyres, other masts, additional equipment etc. may result in different values.							

The specified values refer to the XS battery compartment with 50-Ah battery and raised load section.

- VDI no. 1.8: lowered load section:  $x + 67$  mm.
- VDI no. 1.9: with S battery compartment:  $y + 50$  mm; load section:  $y + 67$  mm.
- VDI no. 3.3: applies for single load wheel; EJE 114i: with tandem:  $\varnothing 82 \times 70$ ; with triplex:  $\varnothing 82 \times 35$ ; EJE 116i - 120i: with tandem:  $\varnothing 82 \times 85$ ; with triplex:  $\varnothing 82 \times 42$ .
- VDI no. 4.15: with tandem rollers and triplex rollers  $h_{13}$  is = 83 mm.
- VDI no. 4.19: with S battery compartment:  $l_1 + 50$  mm.
- VDI no. 4.20: with S battery compartment:  $l_2 + 50$  mm.
- VDI no. 4.34.1: with S battery compartment: aisle width + 50 mm.
- VDI no. 4.34.2: with S battery compartment: aisle width + 50 mm.
- VDI no. 4.35: with S battery compartment:  $W_a + 50$  mm; load section lowered:  $W_a + 67$  mm.
- VDI no. 6.2: lift motor, performance with 4.5% ED.

The German production facilities in  
Norderstedt, Moosburg and Landsberg  
are certified as well as our Genuine Parts  
Center in Kaltenkirchen.

ISO 9001  
ISO 14001

Jungheinrich fork lift trucks meet  
European safety requirements.



 **JUNGHEINRICH**

The Jungheinrich logo, featuring a red upward-pointing arrow above the word 'JUNGHEINRICH' in a bold, black, sans-serif font.