



Medium/high level order picker

EKS 110

Lift height: 1000-2800 mm / Load capacity: 1000 kg



EKS 110

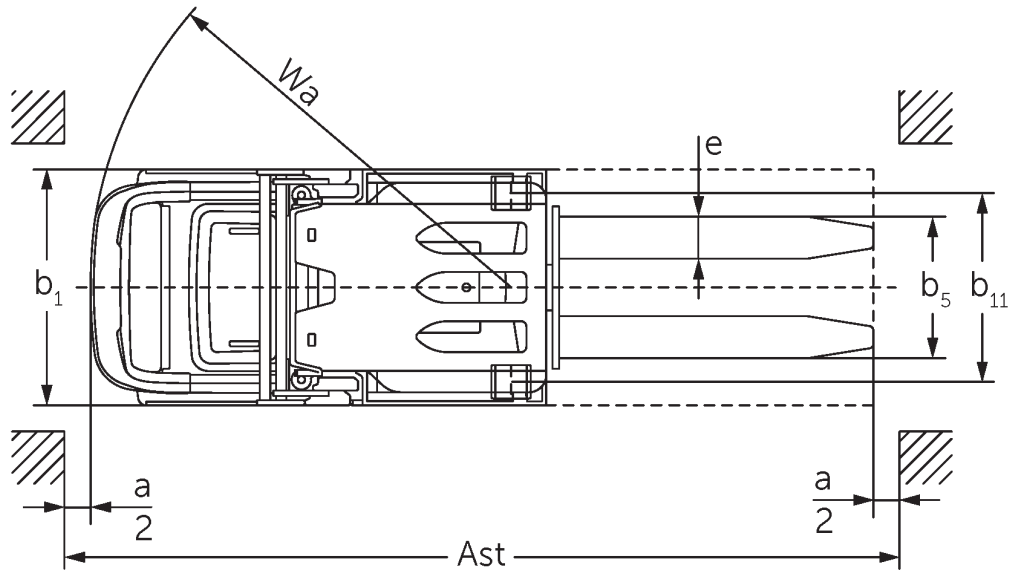
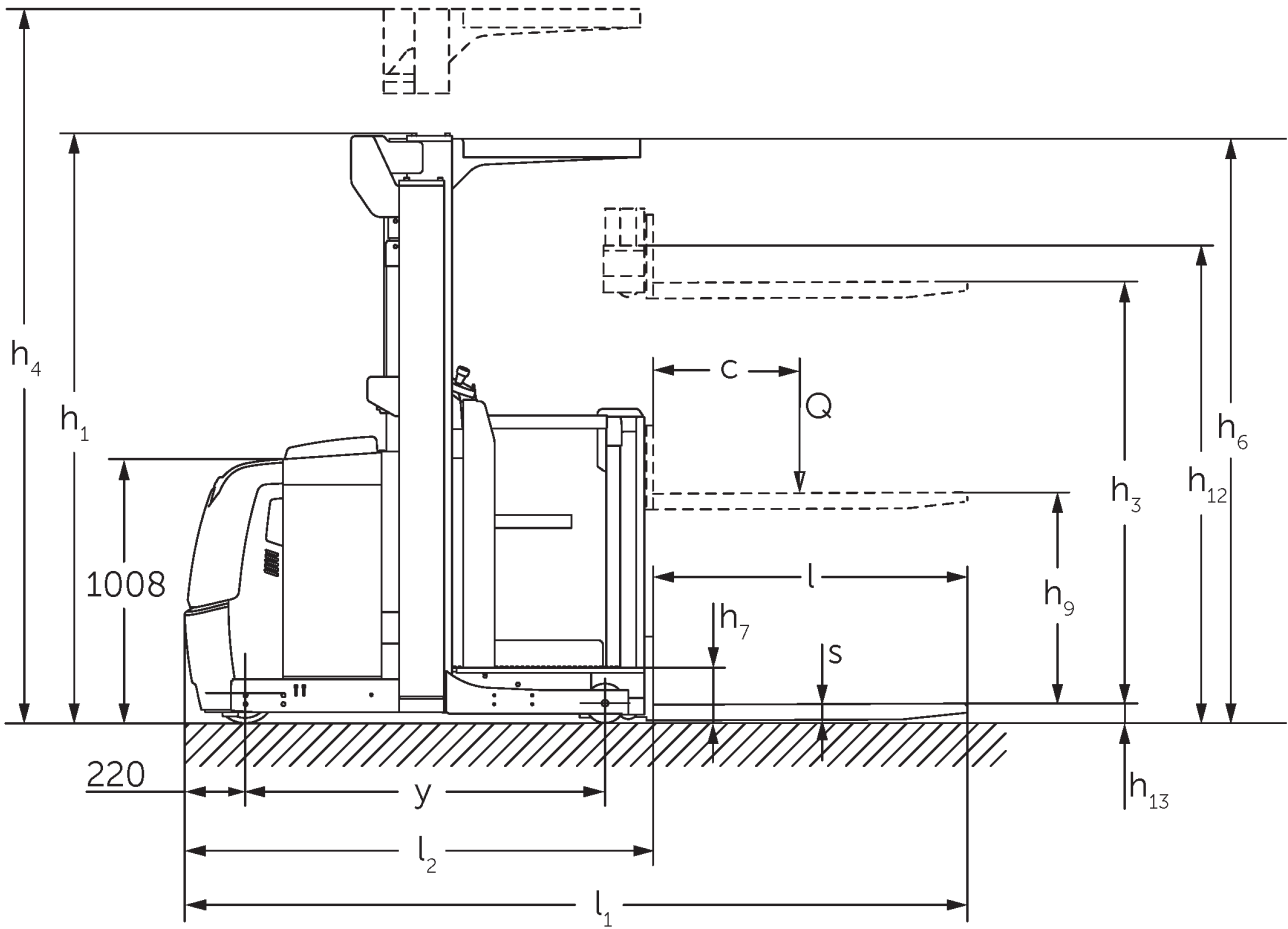
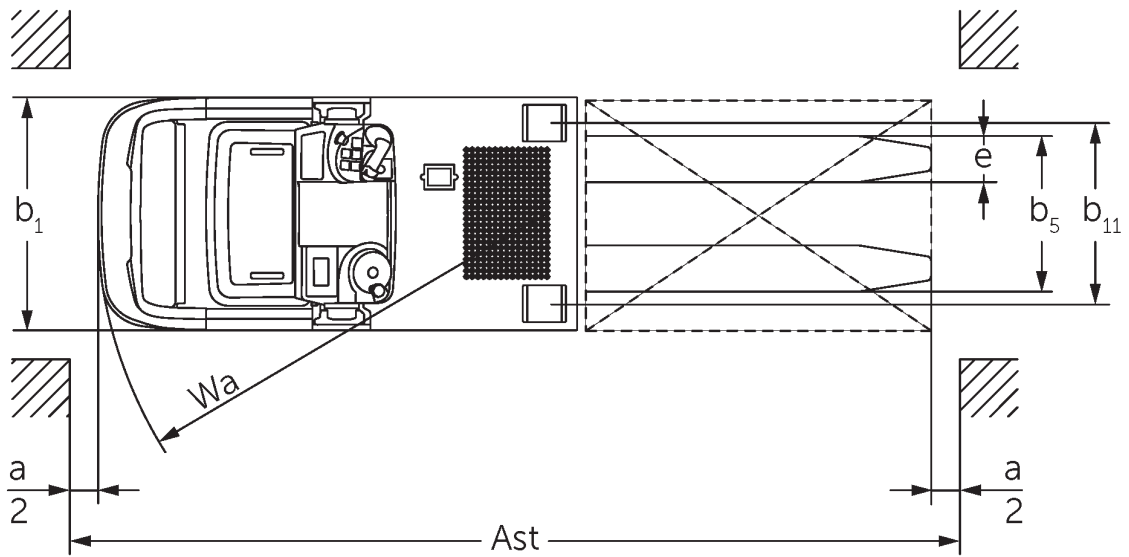
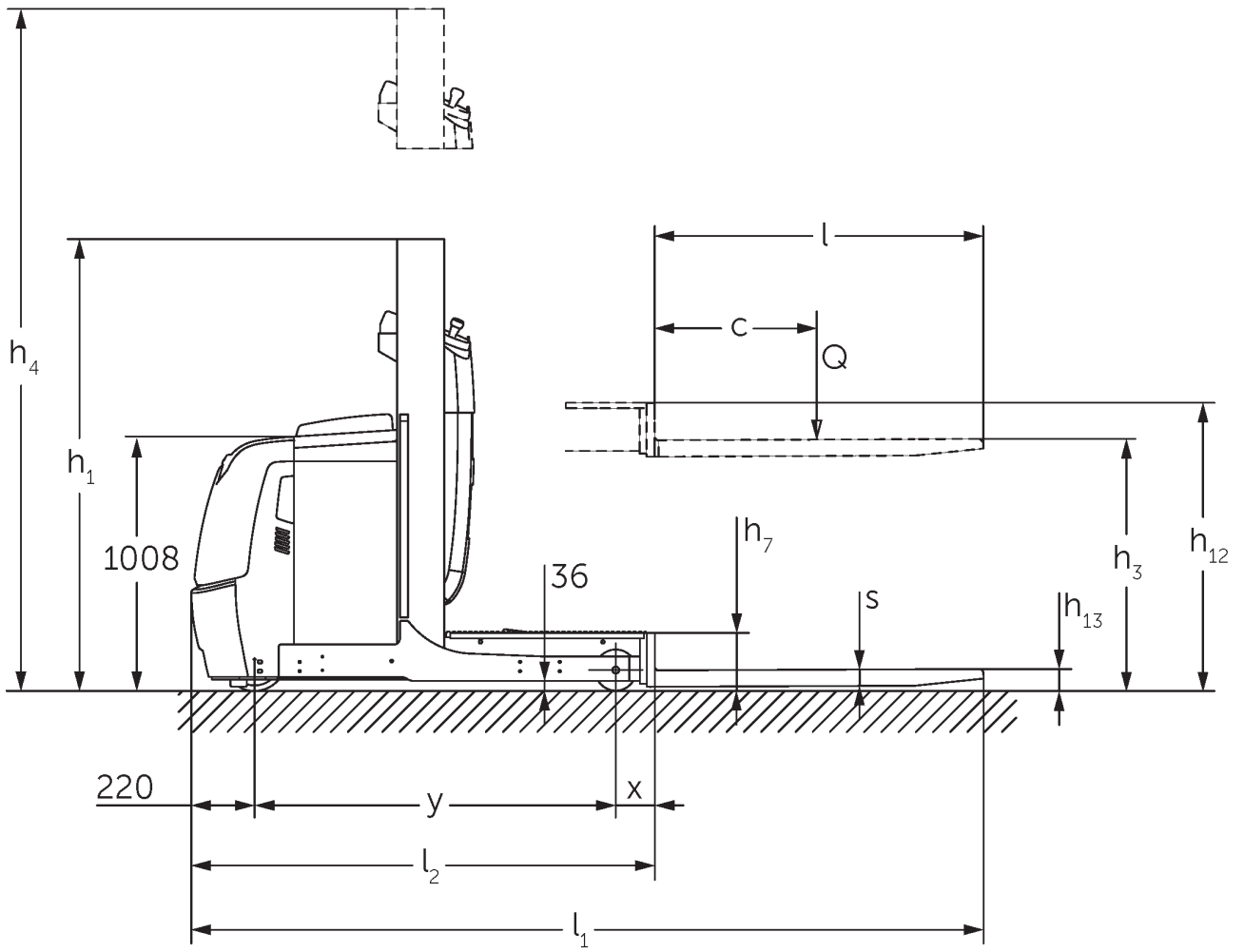


Figure shows EKS 110 Z 280 ZZ



Picture shows EKS 110 L 100 E

VDI table

		Jungheinrich											
		EKS 110 L 100 E	EKS 110 L 160 E	EKS 110 L 190 E	EKS 110 L 280 ZZ	EKS 110 Z 100 E	EKS 110 Z 160 E	EKS 110 Z 190 E	EKS 110 Z 280 ZZ				
Characteristic	1.1	Manufacturer (abbreviated description)											
	1.2	Manufacturer's type designation											
	1.3	Drive type	electric										
	1.4	Operation	Order pickers										
	1.5	Load capacity/load	Q	kg		1000							
	1.6	Load centre distance	c	mm		600							
	1.8	Load distance, centre of drive axle to fork	x	mm		143		180		148		185	
	1.9	Wheelbase	y	mm		1330		1385		1330		1385	
	Weights	2.1.1	Service weight (incl. battery)	kg	1661	1785	1813	2268	1763	1907	1953	2390	
2.2		Axle load laden front/rear	kg	491 / 2170	516 / 2269	506 / 2307	762 / 2506	489 / 2274	508 / 2399	504 / 2449	754 / 2636		
2.3		Axle load unladen front/rear	kg	1053 / 608	1093 / 692	1084 / 729	1336 / 932	1062 / 701	1083 / 824	1079 / 874	1328 / 1062		
Wheels/chassis	3.1	Tyres	Vulkollan ®										
	3.2	Tyre size, front	ø 230 x 80										
	3.3	Tyre size, rear	ø 150 x 130										
	3.5	Wheels, number front/back (x=driven)	1x / 2										
	3.7	Tread width, rear	b11	mm		630		720		630		720	
Basic dimensions	4.2	Retracted mast height (h1)	h1	mm		1650	2260	2560	2250	1650	2260	2560	2250
	4.4	Lift (h3)	h3	mm		1000	1600	1900	2800	1000	1600	1900	2800
	4.5	Extended mast height (h4)	h4	mm		2650	3830	4130	5030	2650	3830	4130	5030
	4.7	Height of overhead guard (cab)	h6	mm		-	2230		-	2230			
	4.8.1	Stand height	h7	mm		200							
	4.11	Additional lift	h9	mm		-			800				
	4.14	Stand height, elevated	h12	mm		1200	1800	2100	3000	1200	1800	2100	3000
	4.15	Height, lowered	h13	mm		80							
	4.19	Total length	l1	mm		2890		2980		2895		2985	
	4.20	Length including fork shank	l2	mm		1690		1780		1695		1785	
	4.21.1	total width	b1	mm		810		900		810		900	
	4.22	Fork dimensions	s/ e/l	mm		60 x 160 x 1200							
	4.25	Width across forks	b5	mm		540							
	4.26	Width between support arms/loading areas	b4	mm		430		520		430		520	
	4.27	Width over guide rollers	b6	mm		970		1060		970		1060	
4.31	Ground clearance laden under mast	m1	mm		35								
4.34.1	Aisle width (pallet 1000x1200 sideways)	Ast	mm		3039		3127		3039		3127		

	4.34.2	Aisle width (pallet 800x1200 length)	Ast mm	3149			3240	3154			3245
	4.35	Turning radius	Wa mm	1548			1603	1548			1603
Performance data	5.1	Travel speed laden/unladen (Efficiency drivePLUS)	km/h	9 / 10 10 / 13	9 / 9 10 / 12	9 / 9 9.5 / 12	9 / 9 9 / 11	9 / 10 10 / 13	9 / 9 10 / 12	9 / 9 9.5 / 12	9 / 9 9 / 11
	5.2	Lift speed laden/unladen	m/s	0.19 / 0.26	0.15 / 0.2		0.23 / 0.31	0.19 / 0.26	0.15 / 0.2		0.23 / 0.31
	5.3	Lowering speed laden/unladen	m/s	0.24 / 0.24	0.23 / 0.22		0.28 / 0.26	0.24 / 0.24	0.23 / 0.22		0.28 / 0.26
	5.7	Gradeability laden/unladen	%	5 / 10							
	5.10	Service brake		generative							
	5.11	Parking brake		Electromagnetic spring-loaded brake system							
Electric motor/electronics	6.1	Drive motor, performance S2 60 min	kW	3.2							
	6.2	Lift motor, performance with S3	kW	3		6	3		6		
	6.3	Battery according to DIN 43531/35/36		DIN 43535 B							
	6.4	Battery voltage/nominal capacity	V / Ah	24 / 620							
	6.5	Battery weight	kg	480							
	6.6.1	Energy consumption according to EN cycle	kWh/h	0.42							
Other	8.1	Type of drive control		AC							
	10.5	Steering version		Electric power steering							
	10.7	Sound pressure level according to EN12053	dB (A)	61							

- This data sheet according to VDI guideline 2198 only states the technical values of the standard truck. Different tyres, other masts, additional equipment etc. may result in different values.

- 4.2: L100E with overhead guard 2,230 mm
- 4.5: L100E with overhead guard 3,230 mm
- 4.7: L100E and Z100E overhead guard optional

The German production facilities in
Norderstedt, Moosburg and Landsberg
are certified as well as our Genuine Parts
Center in Kaltenkirchen. ISO 9001
ISO 14001

**JUNGHEINRICH**