



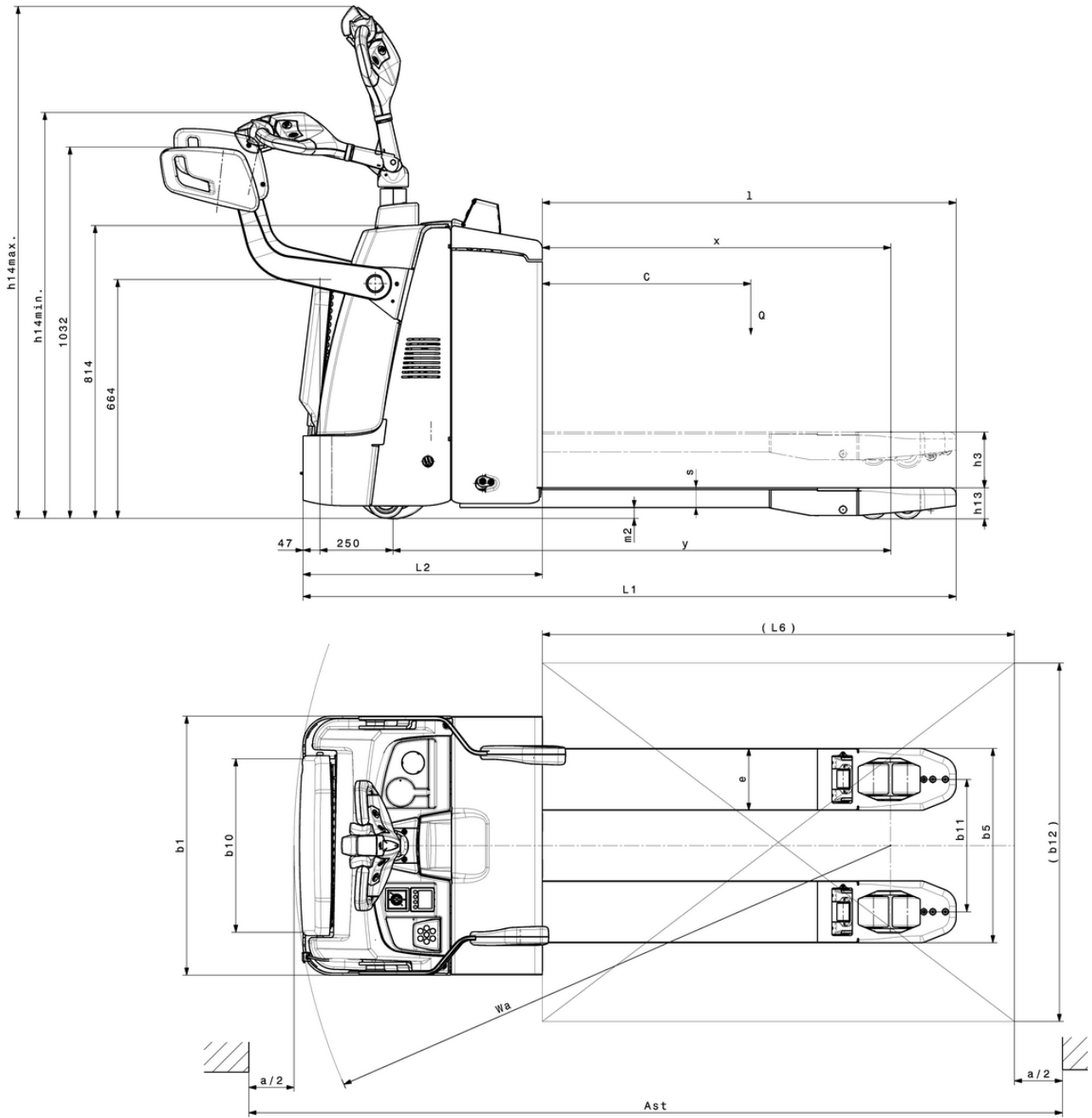
Electric ride-on/pedestrian pallet truck

ERE MA 120

Lift height: 120 mm / Load capacity: 2000 kg



ERE MA 120



VDI table

| | | | | | |
|--------------------------|--------------------------------------|---|-------|------|------------------------|
| Characteristic | 1.1 | Manufacturer (abbreviated description) | | | Jungheinrich |
| | 1.3 | Drive | | | Electric |
| | 1.4 | Operation | | | Stand-on/pedestrian |
| | 1.5 | Load capacity/load | Q | kg | 2000 |
| | 1.6 | Load centre distance | c | mm | 600 |
| | 1.8 | Load distance, centre of drive axle to fork | x | mm | 911 |
| | 1.9 | Wheelbase | y | mm | 1327 |
| Weights | 2.1.1 | Service weight (incl. battery) | | kg | 575 |
| | 2.2 | Axle load laden front/rear | | kg | 905 / 1670 |
| | 2.3 | Axle load unladen front/rear | | kg | 440 / 135 |
| Wheels/suspension system | 3.1 | Tyres | | | Polyurethane (PU) |
| | 3.2 | Tyre size, front | | | Ø 230 x 70 |
| | 3.3 | Tyre size, rear | | | Ø 85 x 110 / Ø 85 x 85 |
| | 3.4 | Additional wheels | | | Ø 100x40 |
| | 3.5 | Wheels, number front/back (x=driven) | | | 1x+2/2 or 4 |
| | 3.6 | Tread width, front | b10 | mm | 508 |
| | 3.7 | Tread width, rear | b11 | mm | 368 |
| Basic dimensions | 4.4 | Lift (h3) | h3 | mm | 122 |
| | 4.9 | Height of tiller handle in drive position min./max. | h14 | mm | 1180 / 1430 |
| | 4.15 | Height, lowered | h13 | mm | 85 |
| | 4.19 | total length | l1 | mm | 1815 |
| | 4.20 | Length including fork shank | l2 | mm | 665 |
| | 4.21.1 | total width | b1 | mm | 720 |
| | 4.21.2 | total width | b2 | mm | 720 |
| | 4.22 | Fork dimensions | s/e/l | mm | 55 x 172 x 1150 |
| | 4.25 | Width across forks | b5 | mm | 540 |
| | 4.32 | Ground clearance centre of wheelbase | m2 | mm | 30 |
| | 4.34.1 | Aisle width (pallet 1000x1200 sideways) | Ast | mm | 2467 |
| 4.34.2 | Aisle width (pallet 800x1200 length) | Ast | mm | 2353 | |
| 4.35 | Turning radius | Wa | mm | 1660 | |
| Performance data | 5.1 | Travel speed laden/unladen | | km/h | 6.5 / 6.5 |
| | 5.2 | Lift speed laden/unladen | | m/s | 0.05 / 0.07 |
| | 5.3 | Lowering speed laden/unladen | | m/s | 0.06 / 0.05 |
| | 5.7 | Gradeability laden/unladen | | % | 8 / 16 |
| | 5.10 | Service brake | | | generative |

| | | | | |
|---|-------|---|--------|-------------|
| E-motor/Electronics | 6.1 | Drive motor, performance S2 60 min | kW | 1 |
| | 6.2 | Lift motor, performance with S3 | kW | 2.2 |
| | 6.3 | Battery according to DIN 43531/35/36 | | DIN 43531 B |
| | 6.4 | Battery voltage/nominal capacity | V / Ah | 24 / 180 |
| | 6.5 | Battery weight | kg | 180 |
| | 6.6.1 | Energy consumption according to EN cycle | kWh/h | 0.56 |
| | 6.6.2 | CO2 equivalent according to EN ISO 23308 | kg/h0 | 0.3 |
| | 6.7 | Throughput | t/h | 101 |
| Other | 8.1 | Type of drive control | | AC |
| | 10.7 | Sound pressure level according to EN12053 | dB (A) | 65 |
| - This data sheet according to VDI guideline 2198 only states the technical values of the standard truck. Different tyres, other masts, additional equipment etc. may result in different values. | | | | |

- VDI no. 1.8: 1.9: 4.34.1: 4.34.2: 4.35: Load section lowered: +53mm
- VDI no. 4.34.1: Ast for intrusive stacking (empty pallet place): -368mm
- VDI no. 4.34.2: Ast for intrusive stacking (empty pallet place): -204mm
- VDI no. 4.19: 4.20: 4.34.1: 4.34.2: 4.35: with platform folded down +436mm

The German production facilities in
Norderstedt, Moosburg and Landsberg are
certified as well as our Genuine Parts
Center in Kaltenkirchen. ISO 9001
ISO 14001

**JUNGHEINRICH**