



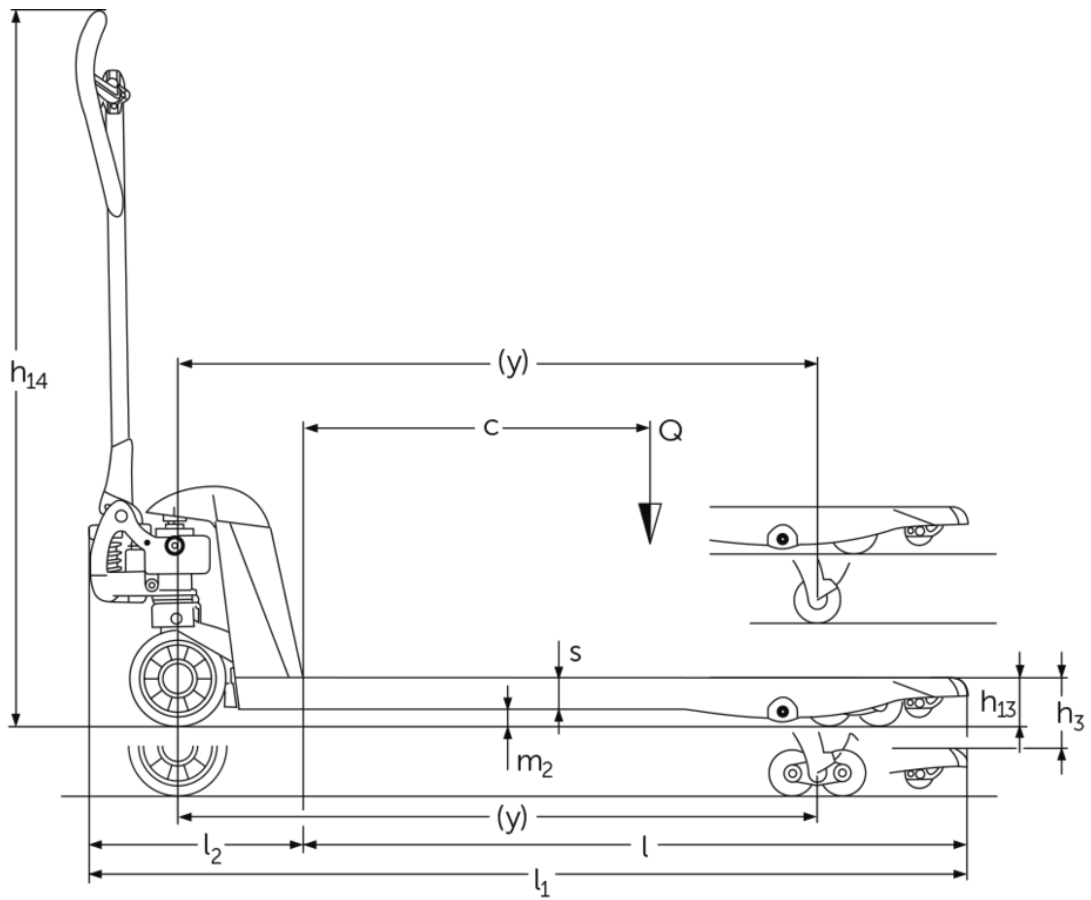
## Hand pallet truck

**AM 22 SH + 22 NH**

Lift height: 122 mm / Load capacity: 2200 kg

**JUNGHEINRICH**

# AM 22 SH + 22 NH



## VDI table

Characteristic	1.1	Manufacturer (abbreviated description)		Other (OEM)							
	1.2	Manufacturer's type designation		AM 22 NH							
	1.3	Drive type		Manual							
	1.4	Operation		Manual							
	1.5	Load capacity/load	Q kg	2200					1500	1000	
	1.6	Load centre distance	c mm	300	400	500	600	700	800	900	
	1.9	Wheelbase	y mm	560	755	910	1110	1320	1560	1860	
Weights	2.1	Netto weight	kg	50	52	56	60	61	70	82	
	3.1	Tyres		C-BV							
Wheels/chassis	3.2	Tyre size, front		Ø 170x50							
	3.3	Tyre size, rear		Ø 82x96							
	3.5	Wheels, number front/back (x=driven)		2/4							
	3.6	Tread width, front	b10 mm	109							
	3.7	Tread width, rear	b11 mm	370							
	Basic dimensions	4.4	Lift (h3)	h3 mm	122						
4.9		Height of tiller handle in drive position min./max.	h14 mm	359 / 1237							
4.14		Stand height, elevated	h12 mm	205							
4.15		Height, lowered	h13 mm	83							
4.19		Total length	l1 mm	973	1168	1323	1523	1733	1973	2273	
4.20		Length including fork shank	l2 mm	373							
4.21.1		total width	b1 mm	520							
4.22		Fork dimensions	s/ e/l mm	53 x 150 x 600	53 x 150 x 795	53 x 150 x 950	53 x 150 x 1150	53 x 150 x 1207	53 x 150 x 1360	53 x 150 x 1600	53 x 150 x 1900
4.25		Width across forks	b5 mm	520							
4.32		Ground clearance centre of wheelbase	m2 mm	30							
4.34.1		Aisle width (pallet 1000x1200 sideways)	Ast mm	1584			1734	1933	2173	2473	
4.34.2		Aisle width (pallet 800x1200 length)	Ast mm	1784				1933	2173	2473	
4.35		Turning radius	Wa mm	724	919	1074	1274	1484	1724	2024	
Performance data	5.3	Lowering speed laden/unladen	m/s	0.09 / 0.02							
- This data sheet according to VDI guideline 2198 only states the technical values of the standard truck. Different tyres, other masts, additional equipment etc. may result in different values.											

Characteristic	1.1	Manufacturer (abbreviated description)		Other (OEM)						
	1.2	Manufacturer's type designation		AM 22 NH					AM 22 SH	
	1.3	Drive type		Manual						
	1.4	Operation		Manual						
	1.5	Load capacity/load	Q kg	500	2200					
	1.6	Load centre distance	c mm	1200	600	550	500	600	500	300
	1.9	Wheelbase	y mm	2360	1110	1014	910	1110	910	560
Weights	2.1	Netto weight	kg	90	63	62	59	63	59	50
	3.1	Tyres		C-BV	C-GV	V-GV	C-BN	C-BV	V-BV	N-GN
Wheels/chassis	3.2	Tyre size, front		Ø 170x50						
	3.3	Tyre size, rear		Ø 82x96						
	3.5	Wheels, number front/back (x=driven)		2/4	2/2	2/4			2/2	
	3.6	Tread width, front	b10 mm	109						
	3.7	Tread width, rear	b11 mm	370						
	4.4	Lift (h3)	h3 mm	122						
	4.9	Height of tiller handle in drive position min./max.	h14 mm	359 / 1237						
Basic dimensions	4.14	Stand height, elevated	h12 mm	205						
	4.15	Height, lowered	h13 mm	83						
	4.19	Total length	l1 mm	2773	1523	1427	1323	1523	1323	973
	4.20	Length including fork shank	l2 mm	373						
	4.21.1	total width	b1 mm	520	680				520	
	4.22	Fork dimensions	s/ e/l mm	53 x 150 x 2400	53 x 150 x 1150	53 x 150 x 1054	53 x 150 x 950	53 x 150 x 1150	53 x 150 x x 950	53 x 150 x 600
	4.25	Width across forks	b5 mm	520	680				520	
	4.32	Ground clearance centre of wheelbase	m2 mm	30						
	4.34.1	Aisle width (pallet 1000x1200 sideways)	Ast mm	2973	1734	1627	1584	1734	1584	
	4.34.2	Aisle width (pallet 800x1200 length)	Ast mm	2973	1784					
	4.35	Turning radius	Wa mm	2524	1274	1178	1074	1274	1074	724
Performance data	5.3	Lowering speed laden/unladen	m/s	0.09 / 0.02						
	<p>- This data sheet according to VDI guideline 2198 only states the technical values of the standard truck. Different tyres, other masts, additional equipment etc. may result in different values.</p>									

Characteristic	1.1	Manufacturer (abbreviated description)		Other (OEM)							
	1.2	Manufacturer's type designation		AM 22 SH							
	1.3	Drive type		Manual							
	1.4	Operation		Manual							
	1.5	Load capacity/load	Q kg	2200							
	1.6	Load centre distance	c mm	400	500	600	300	400	500	600	
	1.9	Wheelbase	y mm	755	910	1110	560	755	910	1110	
Weights	2.1	Netto weight	kg	52	56	60	50	52	56	60	
	2.3	Axle load unladen front/rear	-	- / -						38 / 20	
Wheels/chassis	3.1	Tyres		N-GN		C-GN	C-GV				
	3.2	Tyre size, front		Ø 170x50						Ø 170 x 50	
	3.3	Tyre size, rear		Ø 82x96						Ø 82 x 96	
	3.5	Wheels, number front/back (x=driven)		2/2							
	3.6	Tread width, front	b10 mm	109							
	3.7	Tread width, rear	b11 mm	370							
	Basic dimensions	4.4	Lift (h3)	h3 mm	122						
4.9		Height of tiller handle in drive position min./max.	h14 mm	359 / 1237							
4.14		Stand height, elevated	h12 mm	205							
4.15		Height, lowered	h13 mm	83							
4.19		Total length	l1 mm	1168	1323	1523	973	1168	1323	1523	
4.20		Length including fork shank	l2 mm	373							
4.21.1		total width	b1 mm	520							
4.22		Fork dimensions	s/ e/l mm	53 x 150 x 795	53 x 150 x 950	53 x 150 x 1150	53 x 150 x 600	53 x 150 x 795	53 x 150 x 950	53 x 150 x 1150	
4.25		Width across forks	b5 mm	520							
4.32		Ground clearance centre of wheelbase	m2 mm	30							
4.34.1		Aisle width (pallet 1000x1200 sideways)	Ast mm	1584		1734	1573	1584		1734	
4.34.2		Aisle width (pallet 800x1200 length)	Ast mm	1784							
4.35	Turning radius	Wa mm	919	1074	1274	724	919	1074	1274		
Performance data	5.3	Lowering speed laden/unladen	m/s	0.09 / 0.02							

- This data sheet according to VDI guideline 2198 only states the technical values of the standard truck. Different tyres, other masts, additional equipment etc. may result in different values.

Characteristic	1.1	Manufacturer (abbreviated description)		Other (OEM)							
	1.2	Manufacturer's type designation		AM 22 SH							
	1.3	Drive type		Manual							
	1.4	Operation		Manual							
	1.5	Load capacity/load	Q kg	2200							
	1.6	Load centre distance	c mm	400	500	600	400	500	600	400	
	1.9	Wheelbase	y mm	755	910	1110	755	910	1110	755	
Weights	2.1	Netto weight	kg	52	56	60	52	56	60	52	
	3.1	Tyres		V-GV			N-BN		C-BN	C-BV	
Wheels/chassis	3.2	Tyre size, front		Ø 170x50				170	Ø 170x50		
	3.3	Tyre size, rear		Ø 82x96				82x96/82x62	Ø 82x96		
	3.5	Wheels, number front/back (x=driven)		2/2		2/4					
	3.6	Tread width, front	b10 mm	109							
	3.7	Tread width, rear	b11 mm	370							
Basic dimensions	4.4	Lift (h3)	h3 mm	122							
	4.9	Height of tiller handle in drive position min./max.	h14 mm	359 / 1237							
	4.14	Stand height, elevated	h12 mm	205							
	4.15	Height, lowered	h13 mm	83							
	4.19	Total length	l1 mm	1168	1323	1523	1168	1323	1523	1520	1168
	4.20	Length including fork shank	l2 mm	373					-	373	
	4.21.1	total width	b1 mm	520							
	4.22	Fork dimensions	s/ e/l mm	53 x 150 x 795	53 x 150 x 950	53 x 150 x 1150	53 x 150 x 795	53 x 150 x 950	53 x 150 x 1150	52 x 150 x 1150	53 x 150 x 795
	4.25	Width across forks	b5 mm	520							
	4.32	Ground clearance centre of wheelbase	m2 mm	30							
	4.34.1	Aisle width (pallet 1000×1200 sideways)	Ast mm	1584		1734	1584		1734		1584
4.34.2	Aisle width (pallet 800x1200 length)	Ast mm	1784								
4.35	Turning radius	Wa mm	919	1074	1274	919	1074	1274	919		
Performance data	5.3	Lowering speed laden/unladen	m/s	0.09 / 0.02							
	- This data sheet according to VDI guideline 2198 only states the technical values of the standard truck. Different tyres, other masts, additional equipment etc. may result in different values.										

Characteristic	1.1	Manufacturer (abbreviated description)		Other (OEM)							
	1.2	Manufacturer's type designation		AM 22 SH							
	1.3	Drive type		Manual							
	1.4	Operation		Manual							
	1.5	Load capacity/load	Q kg	2200			1500	1000	500	2200	
	1.6	Load centre distance	c mm	500	600	800	900	1200	400	500	
	1.9	Wheelbase	y mm	910	1110	1560	1860	2360	755	910	
Weights	2.1	Netto weight	kg	56	60	58	82		90	52	56
	2.3	Axle load unladen front/rear	-	- / -		38 / 20	- / -				
Wheels/chassis	3.1	Tyres		C-BV					V-BV		
	3.2	Tyre size, front		Ø 170x50							
	3.3	Tyre size, rear		Ø 82x96							
	3.5	Wheels, number front/back (x=driven)		2/4							
	3.6	Tread width, front	b10 mm	109							
	3.7	Tread width, rear	b11 mm	370							
	Basic dimensions	4.4	Lift (h3)	h3 mm	122						
4.9		Height of tiller handle in drive position min./max.	h14 mm	359 / 1237							
4.14		Stand height, elevated	h12 mm	205							
4.15		Height, lowered	h13 mm	83							
4.19		Total length	l1 mm	1323	1523	1520	1973	2273	2773	1168	1323
4.20		Length including fork shank	l2 mm	373							
4.21.1		total width	b1 mm	520							
4.22		Fork dimensions	s/ e/l mm	53 x 150 x 950	53 x 150 x 1150	53 x 150 x 1600	53 x 150 x 1900	53 x 150 x 2400	53 x 150 x x 795	53 x 150 x 950	
4.25		Width across forks	b5 mm	520							
4.32		Ground clearance centre of wheelbase	m2 mm	30							
		4.34.1	Aisle width (pallet 1000x1200 sideways)	Ast mm	1584	1734	2173	2473	2973	1584	
	4.34.2	Aisle width (pallet 800x1200 length)	Ast mm	1784		2173	2473	2973	1784		
	4.35	Turning radius	Wa mm	1074	1274	1724	2024	2524	919	1074	
Performance data	5.3	Lowering speed laden/unladen	m/s	0.09 / 0.02							

- This data sheet according to VDI guideline 2198 only states the technical values of the standard truck. Different tyres, other masts, additional equipment etc. may result in different values.

Characteristic	1.1	Manufacturer (abbreviated description)		Other (DEM)					
	1.2	Manufacturer's type designation		AM 22 SH					
	1.3	Drive type		Manual					
	1.4	Operation		Manual					
	1.5	Load capacity/load	Q kg	2200					
	1.6	Load centre distance	c mm	600	500	600	500	600	500
	1.9	Wheelbase	y mm	1110	910	1110	910	1110	910
Weights	2.1	Netto weight	kg	60	59	63	59	64	59
	3.1	Tyres		V-BV	N-GN		C-GV		C-BV
Wheels/chassis	3.2	Tyre size, front		Ø 170x50					
	3.3	Tyre size, rear		Ø 82x96					
	3.5	Wheels, number front/back (x=driven)		2/4	2/2			2/4	
	3.6	Tread width, front	b10 mm	109					
	3.7	Tread width, rear	b11 mm	370					
Basic dimensions	4.4	Lift (h3)	h3 mm	122					
	4.9	Height of tiller handle in drive position min./max.	h14 mm	359 / 1237					
	4.14	Stand height, elevated	h12 mm	205					
	4.15	Height, lowered	h13 mm	83					
	4.19	Total length	l1 mm	1523	1323	1523	1323	1523	1323
	4.20	Length including fork shank	l2 mm	373					
	4.21.1	total width	b1 mm	520	680				
	4.22	Fork dimensions	s/ e/l mm	53 x 150 x 1150	53 x 150 x 950	53 x 150 x 1150	53 x 150 x 950	53 x 150 x 1207	53 x 150 x 950
	4.25	Width across forks	b5 mm	520	680				
	4.32	Ground clearance centre of wheelbase	m2 mm	30					
	4.34.1	Aisle width (pallet 1000x1200 sideways)	Ast mm	1734	1584	1734	1584	1573	1584
4.34.2	Aisle width (pallet 800x1200 length)	Ast mm	1784				1773	1784	
4.35	Turning radius	Wa mm	1274	1074	1274	1074	724	1074	
Performance data	5.3	Lowering speed laden/unladen	m/s	0.09 / 0.02					
- This data sheet according to VDI guideline 2198 only states the technical values of the standard truck. Different tyres, other masts, additional equipment etc. may result in different values.									

Note. The tables do not represent all tyre variants. Not all tyre variants are available for all fork lengths.

Available tyres:

Steering wheels: N = nylon, C = rubber, V = polyurethane.

Load rollers: GN = single nylon, GV = single polyurethane, BN = tandem nylon, BV = tandem polyurethane.

The German production facilities in  
Norderstedt, Moosburg and Landsberg are  
certified as well as our Genuine Parts  
Center in Kaltenkirchen.

ISO 9001  
ISO 14001

Jungheinrich fork lift trucks meet European  
safety requirements.



 **JUNGHEINRICH**

The Jungheinrich logo, featuring a red upward-pointing arrow above the word 'JUNGHEINRICH' in a bold, black, sans-serif font.