



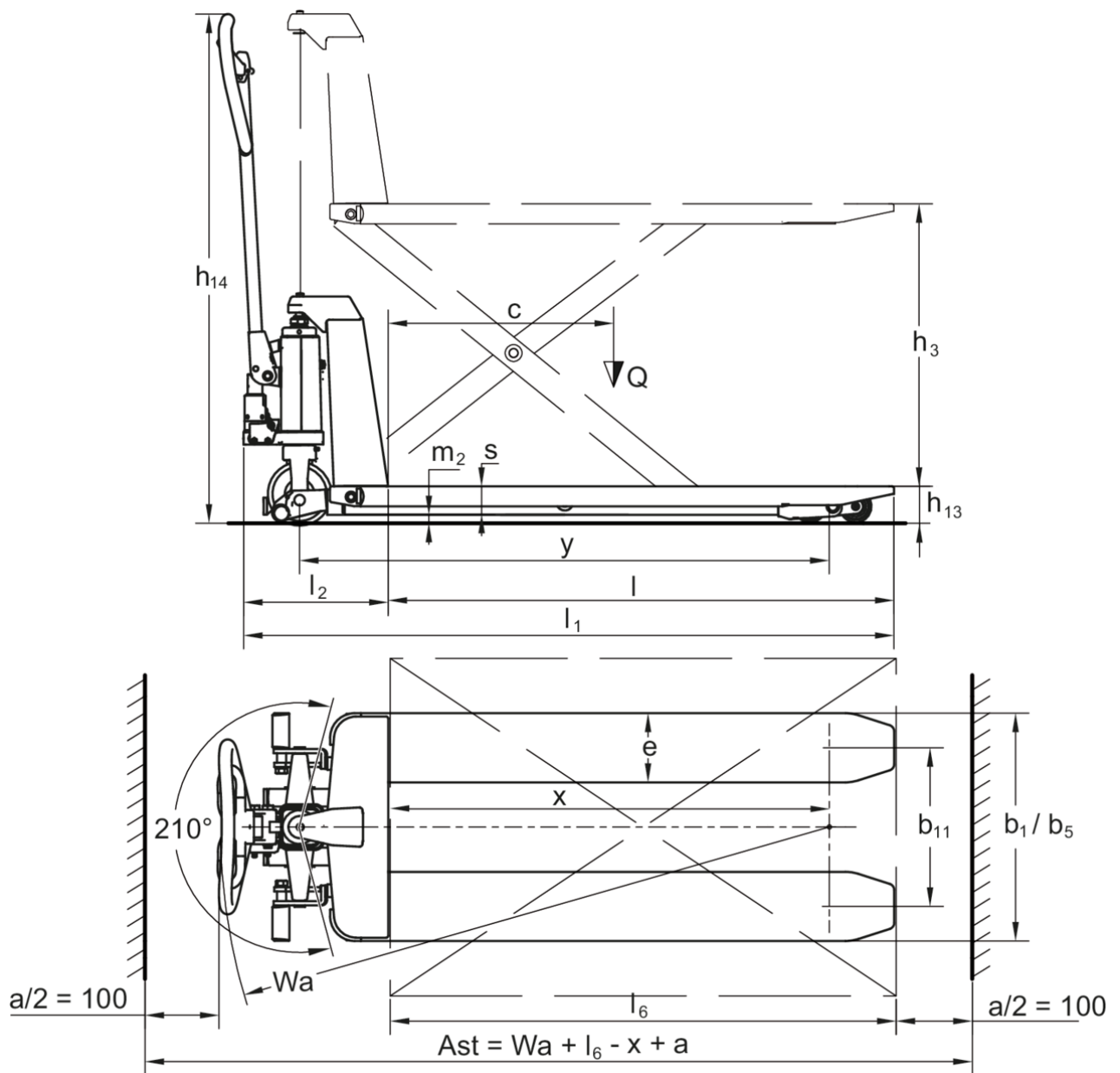
Hand pallet truck

AMX I15 + I15 e + I15 p + I15 ep

Lift height: 710 mm / Load capacity: 1500 kg

JUNGHEINRICH

AMX I15 + I15 e + I15 p + I15 ep





VDI table

			Other (OEM)									
			AMX I15e		AMX I15ep		AMX I15		AMX I15p			
Characteristic	1.1	Manufacturer (abbreviated description)										
	1.2	Manufacturer's type designation	AMX I15e		AMX I15ep		AMX I15		AMX I15p			
	1.3	Drive type	Manual									
	1.4	Operation	Manual									
	1.5	Load capacity/load	Q	kg		1500						
	1.6	Load centre distance	c	mm		600						
	1.9	Wheelbase	y	mm		1255						
Weights	2.1	Netto weight	kg		132				125			
	2.2	Axle load laden front/rear	kg		753 / 357		753 / 387		720 / 358 750 / 358			
	2.3	Axle load unladen front/rear	kg		40 / 100				38 / 70			
Wheels/chassis	3.1	Tyres			N-BN	V-BV	N-BN	V-BV	N-BN	V-BV	N-BN	V-BV
	3.2	Tyre size, front			Ø 150x45							
	3.3	Tyre size, rear			Ø 75x68							
	3.5	Wheels, number front/back (x=driven)			2/4							
	3.6	Tread width, front	b10	mm		145						
	3.7	Tread width, rear	b11	mm		440						
	Basic dimensions	4.4	Lift (h3)	h3		mm		710				
4.9		Height of tiller handle in drive position min./max.	h14		mm		1270				1230	
4.15		Height, lowered	h13		mm		85					
4.19		Total length	l1		mm		1645				1580	
4.20		Length including fork shank	l2		mm		445				340	
4.21.1		total width	b1		mm		540					
4.22		Fork dimensions	s/ e/l	mm		50 x 163 x 1200						
4.25		Width across forks	b5		mm		540					
4.32		Ground clearance centre of wheelbase	m2		mm		19					
4.34.1		Aisle width (pallet 1000x1200 sideways)	Ast		mm		1690				1630	
4.34.2		Aisle width (pallet 800x1200 length)	Ast		mm		1890				1830	
4.35	Turning radius	Wa		mm		1540				1480		
Performance data	5.3	Lowering speed laden/unladen	m/s		0.07 / 0.05				0.15 / 0.09			

Electric motor/electronics	6.4	Battery voltage/nominal capacity	V / Ah	12 / 65	-
	6.5	Battery weight	kg	21	-
<p>- This data sheet according to VDI guideline 2198 only states the technical values of the standard truck. Different tyres, other masts, additional equipment etc. may result in different values.</p>					

- VDI no. 1.5: From a lift height of 470 mm, the capacity is reduced to 1,000 kg.

The German production facilities in
Norderstedt, Moosburg and Landsberg are
certified as well as our Genuine Parts
Center in Kaltenkirchen.

ISO 9001
ISO 14001

Jungheinrich fork lift trucks meet European
safety requirements.



 **JUNGHEINRICH**

The Jungheinrich logo, featuring a red upward-pointing arrow above the word 'JUNGHEINRICH' in a bold, black, sans-serif font.