



Electric pedestrian pallet truck with ergonomic lift

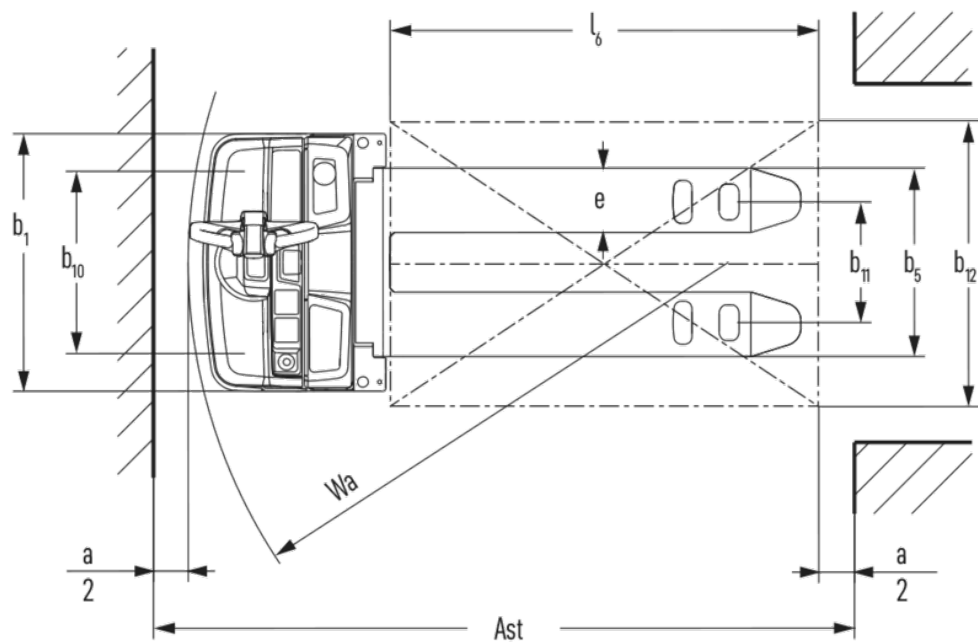
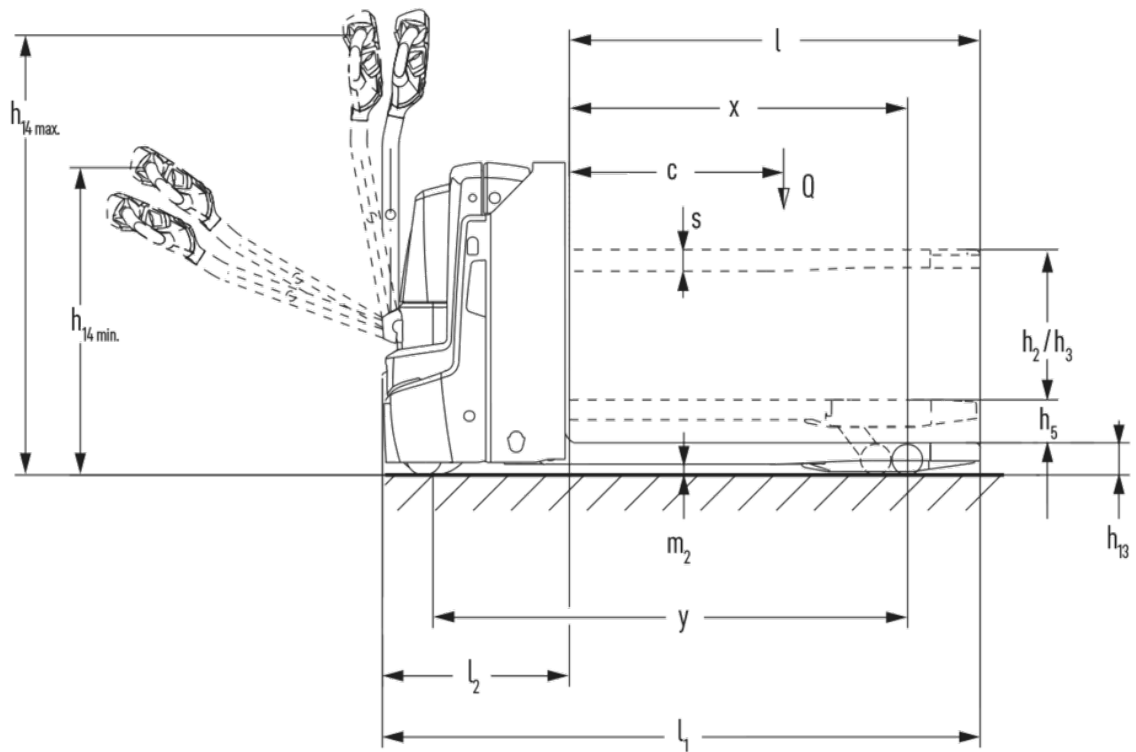
EJE C20i

Lift height: 662 mm / Load capacity: 2000 kg

LION
technology

JUNGHEINRICH

EJE C20i



VDI table

| | | | | | |
|------------------|---|---|-------|------|-----------------------|
| Characteristic | 1.1 | Manufacturer (abbreviated description) | | | Jungheinrich |
| | 1.2 | Manufacturer's type designation | | | EJE C20i |
| | 1.3 | Drive type | | | electric |
| | 1.4 | Operation | | | Pedestrian |
| | 1.5 | Load capacity/load | Q | kg | 2000 |
| | 1.5.1 | Rated capacity/load with mast lift | Q | kg | 700 |
| | 1.5.2 | Rated capacity/load with support arm lift | Q | kg | 2000 |
| | 1.6 | Load centre distance | c | mm | 600 |
| | 1.8 | Load distance, centre of drive axle to fork | x | mm | 880 |
| 1.9 | Wheelbase | y | mm | 1262 | |
| Weights | 2.1.1 | Service weight (incl. battery) | | kg | 426 |
| | 2.2 | Axle load laden front/rear | | kg | 810 / 1610 |
| | 2.3 | Axle load unladen front/rear | | kg | 322 / 104 |
| Wheels/chassis | 3.1 | Tyres | | | Polyurethane (PU) |
| | 3.2 | Tyre size, front | | | Ø 230 x 70 |
| | 3.3 | Tyre size, rear | | | Ø 85 x 95 / Ø 85 x 70 |
| | 3.4 | Additional wheels | | | Ø 100 x 40 |
| | 3.5 | Wheels, number front/back (x=driven) | | | 1x +2/2 oder 4 |
| | 3.6 | Tread width, front | b10 | mm | 510 |
| | 3.7 | Tread width, rear | b11 | mm | 338 |
| Basic dimensions | 4.3 | Free lift (h2) | h2 | mm | 540 |
| | 4.4 | Lift (h3) | h3 | mm | 540 |
| | 4.6 | Initial lift | h5 | mm | 122 |
| | 4.9 | Height of tiller handle in drive position min./max. | h14 | mm | 690 / 1235 |
| | 4.15 | Height, lowered | h13 | mm | 90 |
| | 4.19 | Total length | l1 | mm | 1674 |
| | 4.20 | Length including fork shank | l2 | mm | 524 |
| | 4.21.1 | total width | b1 | mm | 720 |
| | 4.22 | Fork dimensions | s/e/l | mm | 60 x 180 x 1150 |
| | 4.25 | Width across forks | b5 | mm | 527 |
| | 4.32 | Ground clearance centre of wheelbase | m2 | mm | 30 |
| 4.34.1 | Aisle width (pallet 1000x1200 sideways) | Ast | mm | 2257 | |
| 4.34.2 | Aisle width (pallet 800x1200 length) | Ast | mm | 2157 | |
| 4.35 | Turning radius | Wa | mm | 1445 | |
| Performance data | 5.1 | Travel speed laden/unladen | | km/h | 6 / 6 |
| | 5.2 | Lift speed laden/unladen | | m/s | 0.19 / 0.3 |
| | 5.3 | Lowering speed laden/unladen | | m/s | 0.2 / 0.2 |
| | 5.8 | Max. gradeability laden/unladen | | % | 10 / 20 |
| | 5.10 | Service brake | | | generative |

| | | | | |
|--|-------|---|--------|-----------|
| Electric motor/electronics | 6.1 | Drive motor, performance S2 60 min | kW | 1.1 |
| | 6.2 | Lift motor, performance with S3 | kW | 1.2 |
| | 6.3 | Battery according to DIN 43531/35/36 | | no |
| | 6.4 | Battery voltage/nominal capacity | V / Ah | 25.6 / 50 |
| | 6.5 | Battery weight | kg | 23.8 |
| | 6.6.1 | Energy consumption according to EN cycle | kWh/h | 0.32 |
| | 6.6.2 | CO2 equivalent according to EN ISO 23308 | kg/h0 | 0.2 |
| | 6.7 | Throughput | t/h | 108 |
| Other | 8.1 | Type of drive control | | AC |
| | 10.7 | Sound pressure level according to EN12053 | dB (A) | 59 |
| <p>- This data sheet according to VDI guideline 2198 only states the technical values of the standard truck. Different tyres, other masts, additional equipment etc. may result in different values.</p> | | | | |

The values in the table apply to a truck with an XS battery compartment.

- VDI no. 1.8: lowered load section: $x + 67$ mm.
- VDI no. 1.9: lowered load section: $y + 67$ mm; with S battery compartment: $y + 50$ mm.
- VDI no. 4.19: with S battery compartment: $l1 + 50$ mm.
- VDI no. 4.20: with S battery compartment: $l2 + 50$ mm.
- VDI no. 4.34.1: with S battery compartment: aisle width $+ 50$ mm.
- VDI no. 4.34.2: with S battery compartment: aisle width $+ 50$ mm.
- VDI no. 4.35: lowered load section: $Wa + 67$ mm; with S battery compartment: $Wa + 50$ mm.

The German production facilities in
Norderstedt, Moosburg and Landsberg are
certified as well as our Genuine Parts
Center in Kaltenkirchen.

ISO 9001
ISO 14001

Jungheinrich fork lift trucks meet European
safety requirements.



 **JUNGHEINRICH**

The logo features a red upward-pointing arrow integrated into the letter 'J' of the word 'JUNGHEINRICH', which is written in a bold, black, sans-serif font.