



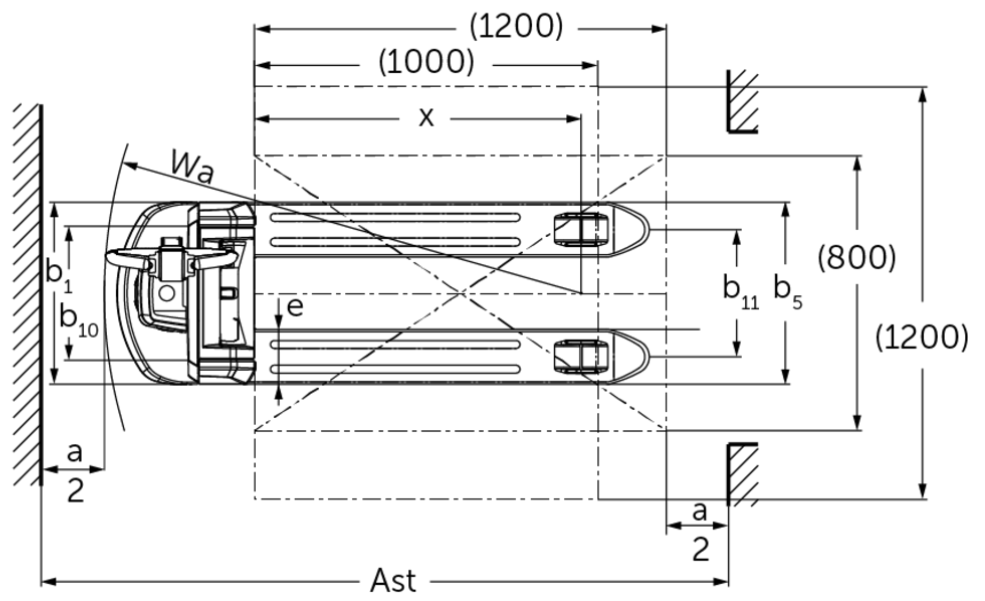
## Electric pedestrian pallet truck

**AME 15**

Lift height: 115 mm / Load capacity: 1500 kg



# AME 15





## VDI table

Characteristic	1.1	Manufacturer (abbreviated description)	Jungheinrich							
	1.2	Manufacturer's type designation	AME 15 (530x800, V-BV)	AME 15 (530x1000, V-BV)	AME 15 (530x1150, V-BV)	AME 15 (530x1150, V-GV)	AME 15 (670x1000, V-BV)	AME 15 (670x1150, V-BV)	AME 15 (670x1150, V-GV)	
	1.3	Drive type	electric							
	1.4	Operation	Pedestrian							
	1.5	Load capacity/load	Q kg	1500						
	1.6	Load centre distance	c mm	600						
	1.8	Load distance, centre of drive axle to fork	x mm	602	802	952	802	952		
	1.9	Wheelbase	y mm	843	1043	1193	1043	1193		
	Weights	2.1.1	Service weight (incl. battery)	kg	129	137	142	155	160	
2.2		Axle load laden front/rear	kg	533 / 1096	539 / 1098	542 / 1100	557 / 1098	560 / 1100		
2.3		Axle load unladen front/rear	kg	103 / 26	109 / 28	112 / 30	127 / 28	130 / 30		
Wheels/chassis	3.1	Tyres	Polyurethane (PU)							
	3.2	Tyre size, front	Ø210 x 70							
	3.3	Tyre size, rear	Ø80 x 70 (Ø80 x 93)							
	3.4	Additional wheels	Ø62,5 x 45							
	3.5	Wheels, number front/back (x=driven)	1x + 2 / 4 (1x + 2 / 2)							
	3.6	Tread width, front	b10 mm	390				530		
	3.7	Tread width, rear	b11 mm	370				510		
Basic dimensions	4.2.1	Total height	h15 mm	673						
	4.4	Lift (h3)	h3 mm	115						
	4.9	Height of tiller handle in drive position min./max.	h14 mm	700 / 1190						
	4.15	Height, lowered	h13 mm	80						
	4.19	Total length	l1 mm	1200	1400	1550	1400	1550		
	4.20	Length including fork shank	l2 mm	400						
	4.21.1	total width	b1 mm	530				670		
	4.22	Fork dimensions	s/e/l mm	53 x 160 x 800	53 x 160 x 1000	53 x 160 x 1150	53 x 160 x 1000	53 x 160 x 1150		
	4.25	Width across forks	b5 mm	530				670		
	4.32	Ground clearance centre of wheelbase	m2 mm	27						
	4.34.2	Aisle width (pallet 800x1200 length)	Ast mm	1958	2003	2060	2003	2060		
4.35	Turning radius	Wa mm	1039	1239	1389	1239	1389			
Performance data	5.1	Travel speed laden/unladen	km/h	5 / 5.5						
	5.2	Lift speed laden/unladen	m/s	0.03 / 0.04						
	5.3	Lowering speed laden/unladen	m/s	0.06 / 0.05						
	5.8	Max. gradeability laden/unladen	%	8 / 20						
	5.10	Service brake		electromagnetic						

Electric motor/electronics	6.1	Drive motor, performance S2 60 min	kW	0.75
	6.2	Lift motor, performance with S3	kW	0.8
	6.4	Battery voltage/nominal capacity	V / Ah	48 / 15
	6.5	Battery weight	kg	7.5
	6.6	Energy consumption according to VDI cycle	kWh/h	0.15
	Other	8.1	Type of drive control	
10.7		Sound pressure level according to EN12053	dB (A)	70

- This data sheet according to VDI guideline 2198 only states the technical values of the standard truck. Different tyres, other masts, additional equipment etc. may result in different values.

- VDI no. 4.2.1: overall height h15 = height of the truck without tiller.

The German production facilities in  
Norderstedt, Moosburg and Landsberg are  
certified as well as our Genuine Parts  
Center in Kaltenkirchen.

ISO 9001  
ISO 14001

Jungheinrich fork lift trucks meet European  
safety requirements.



 **JUNGHEINRICH**

The logo features a red upward-pointing arrow integrated into the letter 'J' of the word 'JUNGHEINRICH', which is written in a bold, black, sans-serif font.