

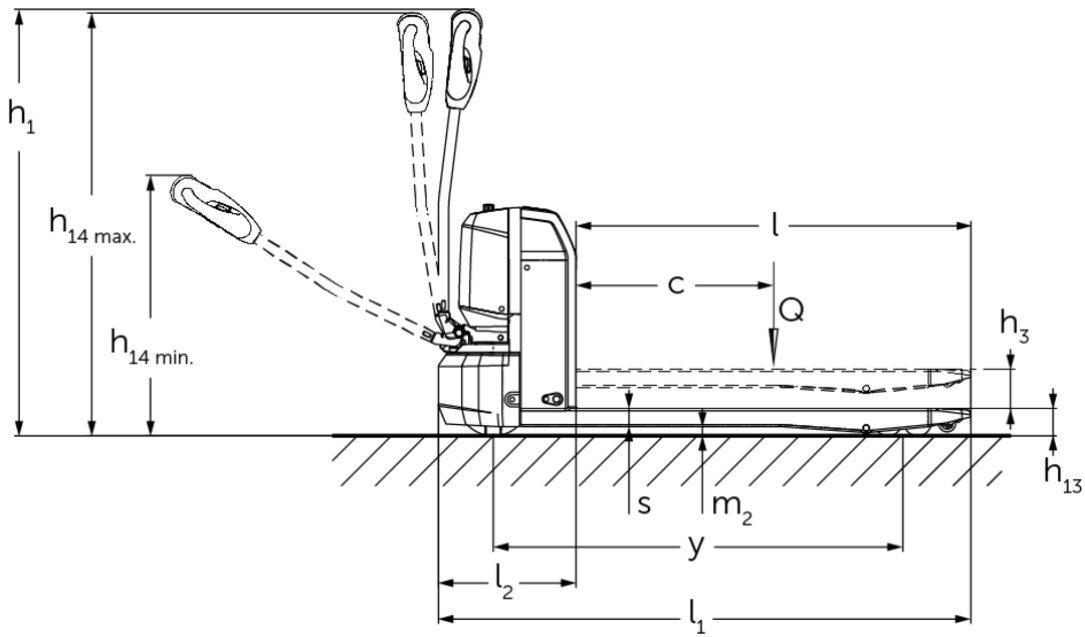


Electric pedestrian pallet truck

AME 18

Lift height: 115 mm / Load capacity: 1800 kg





VDI table

| | | | | | | | | | | |
|------------------|---------|---|--------------------------------|-------------------------|-------------------------|-------------------------|-------------------------|-------------------------|-------------------------|-----|
| Characteristic | 1.1 | Manufacturer (abbreviated description) | Jungheinrich | | | | | | | |
| | 1.2 | Manufacturer's type designation | AME 18 (530x800, V-BV) | AME 18 (530x1000, V-BV) | AME 18 (530x1150, V-BV) | AME 18 (530x1150, V-GV) | AME 18 (670x1000, V-BV) | AME 18 (670x1150, V-BV) | AME 18 (670x1150, V-GV) | |
| | 1.3 | Drive type | electric | | | | | | | |
| | 1.4 | Operation | Pedestrian | | | | | | | |
| | 1.5 | Load capacity/load | Q kg | 1800 | | | | | | |
| | 1.6 | Load centre distance | c mm | 600 | | | | | | |
| | 1.8 | Load distance, centre of drive axle to fork | x mm | 602 | 802 | 952 | | 802 | 952 | |
| | 1.9 | Wheelbase | y mm | 843 | 1043 | 1193 | | 1043 | 1193 | |
| | Weights | 2.1.1 | Service weight (incl. battery) | kg | 145 | 153 | 158 | | 161 | 166 |
| 2.2 | | Axle load laden front/rear | kg | 651 / 1294 | 657 / 1296 | 660 / 1298 | 606 / 1298 | 665 / 1296 | 668 / 1298 | |
| 2.3 | | Axle load unladen front/rear | kg | 119 / 26 | 125 / 28 | 128 / 30 | | 133 / 28 | 136 / 30 | |
| Wheels/chassis | 3.1 | Tyres | Polyurethane (PU) | | | | | | | |
| | 3.2 | Tyre size, front | Ø210 x 70 | | | | | | | |
| | 3.3 | Tyre size, rear | Ø80 x 70 (Ø80 x 93) | | | | | | | |
| | 3.4 | Additional wheels | Ø62,5 x 45 | | | | | | | |
| | 3.5 | Wheels, number front/back (x=driven) | 1x + 2 / 4 (1x + 2 / 2) | | | | | | | |
| | 3.6 | Tread width, front | b10 mm | 390 | | | | 530 | | |
| | 3.7 | Tread width, rear | b11 mm | 370 | | | | 510 | | |
| Basic dimensions | 4.2.1 | Total height | h15 mm | 673 | | | | | | |
| | 4.4 | Lift (h3) | h3 mm | 115 | | | | | | |
| | 4.9 | Height of tiller handle in drive position min./max. | h14 mm | 700 / 1190 | | | | | | |
| | 4.15 | Height, lowered | h13 mm | 80 | | | | | | |
| | 4.19 | Total length | l1 mm | 1200 | 1400 | 1550 | | 1400 | 1550 | |
| | 4.20 | Length including fork shank | l2 mm | 400 | | | | | | |
| | 4.21.1 | total width | b1 mm | 530 | | | | 670 | | |
| | 4.22 | Fork dimensions | s/e/l mm | 53 x 160 x 800 | 53 x 160 x 1000 | 53 x 160 x 1150 | | 53 x 160 x 1000 | 53 x 160 x 1150 | |
| | 4.25 | Width across forks | b5 mm | 530 | | | | 670 | | |
| | 4.32 | Ground clearance centre of wheelbase | m2 mm | 27 | | | | | | |
| Performance data | 5.1 | Travel speed laden/unladen | km/h | 5 / 5.5 | | | | | | |
| | 5.2 | Lift speed laden/unladen | m/s | 0.03 / 0.04 | | | | | | |
| | 5.3 | Lowering speed laden/unladen | m/s | 0.06 / 0.05 | | | | | | |
| | 5.8 | Max. gradeability laden/unladen | % | 8 / 20 | | | | | | |
| | 5.10 | Service brake | | electromagnetic | | | | | | |

| | | | | |
|----------------------------|-------|---|-----------------------|---------|
| Electric motor/electronics | 6.1 | Drive motor, performance S2 60 min | kW | 1 |
| | 6.2 | Lift motor, performance with S3 | kW | 0.8 |
| | 6.4 | Battery voltage/nominal capacity | V / Ah | 48 / 25 |
| | 6.5 | Battery weight | kg | 10.5 |
| | 6.6 | Energy consumption according to VDI cycle | kWh/h | 0.16 |
| | Other | 8.1 | Type of drive control | |
| 10.7 | | Sound pressure level according to EN12053 | dB (A) | 70 |

- This data sheet according to VDI guideline 2198 only states the technical values of the standard truck. Different tyres, other masts, additional equipment etc. may result in different values.

- VDI no. 4.2.1: overall height h15 = height of the truck without tiller.

The German production facilities in
Norderstedt, Moosburg and Landsberg are
certified as well as our Genuine Parts
Center in Kaltenkirchen.

ISO 9001
ISO 14001

Jungheinrich fork lift trucks meet European
safety requirements.



 **JUNGHEINRICH**

The logo features a red arrow pointing upwards, positioned to the left of the word 'JUNGHEINRICH' which is written in a bold, black, sans-serif font.