



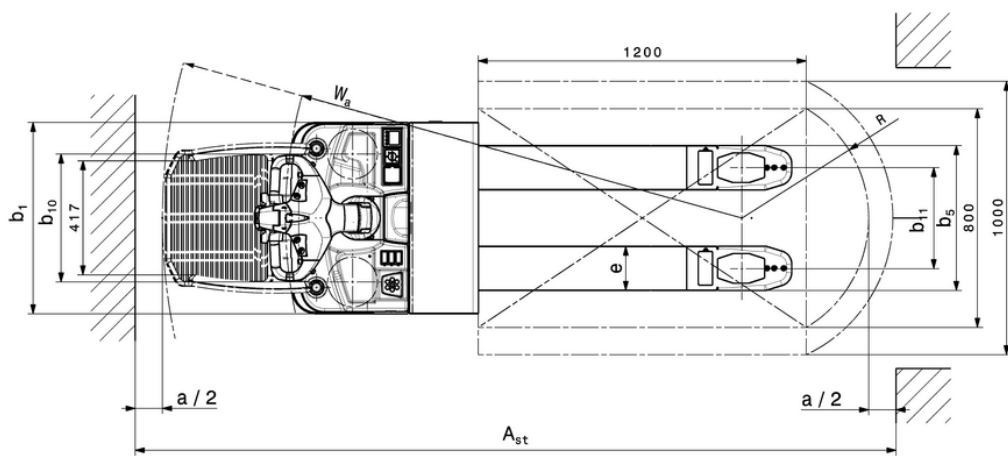
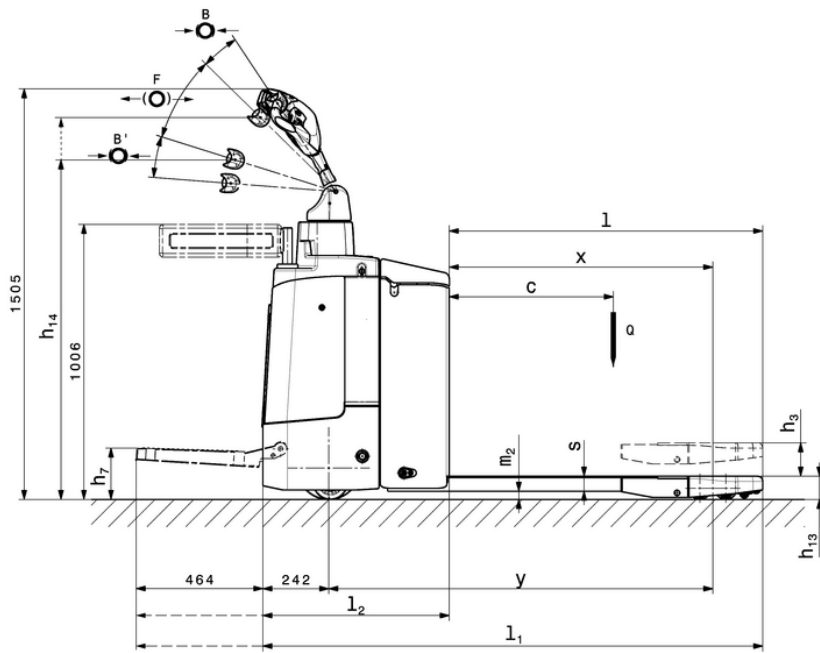
## Electric ride-on/pedestrian pallet truck

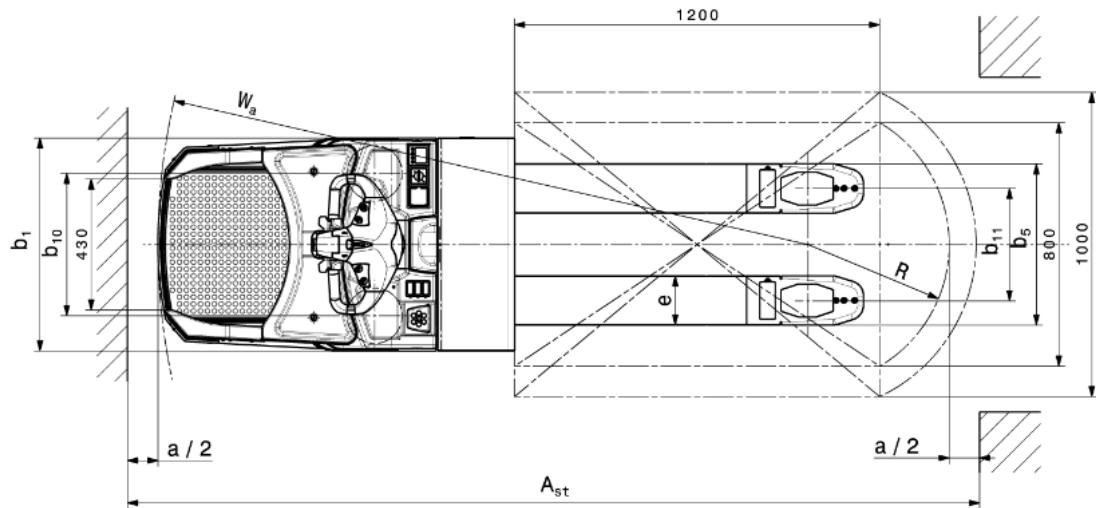
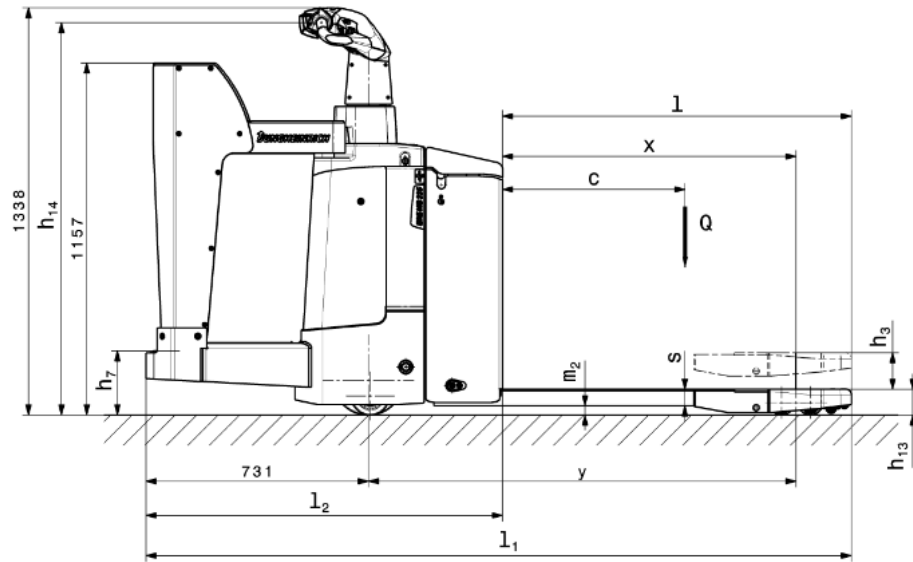
### ERE MB 220 / 225

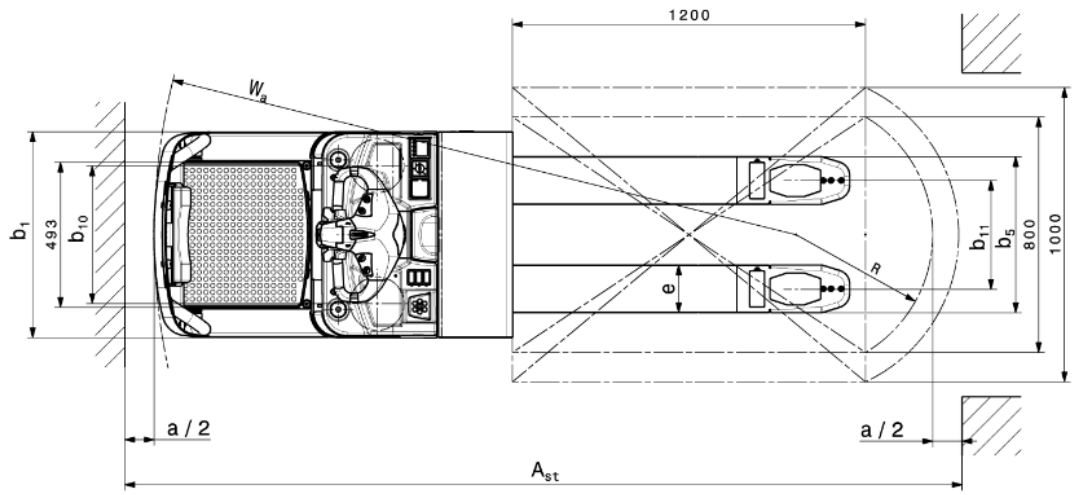
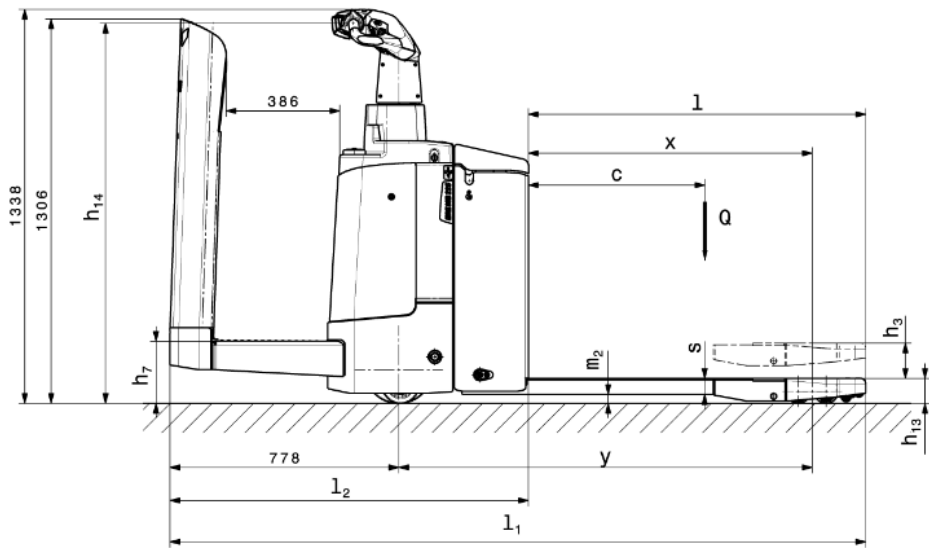
Lift height: 122 mm / Load capacity: 2000-2500 kg



# ERE MB 220 / 225







## VDI table

|                          |                |   |       |        |                        |         |
|--------------------------|----------------|---|-------|--------|------------------------|---------|
| Characteristic           | 1.1            | Manufacturer (abbreviated description)              |       |        | Jungheinrich           |         |
|                          | 1.3            | Drive   |       |        | Electric               |         |
|                          | 1.4            | Operation   |       |        | Stand-on/pedestrian    |         |
|                          | 1.5            | Load capacity/load                                  | Q     | kg     | 2000                   | 2500    |
|                          | 1.6            | Load centre distance                                | c     | mm     | 600                    |         |
|                          | 1.8            | Load distance, centre of drive axle to fork         | x     | mm     | 910                    |         |
|                          | 1.9            | Wheelbase   | y     | mm     | 1405                   |         |
| Weights                  | 2.1.1          | Service weight (incl. battery)                      |       | kg     | 817                    |         |
|                          | 2.2            | Axle load laden front/rear                          |       | kg     | 1173 / 2147            |         |
|                          | 2.3            | Axle load unladen front/rear                        |       | kg     | 675 / 142              |         |
| Wheels/suspension system | 3.1            | Tyres   |       |        | Polyurethane (PU)      |         |
|                          | 3.2            | Tyre size, front                                    |       |        | Ø 230 x 70             |         |
|                          | 3.3            | Tyre size, rear                                     |       |        | Ø 85 x 100 / Ø 82 x 70 |         |
|                          | 3.4            | Additional wheels                                   |       |        | Ø 125 x 54             |         |
|                          | 3.5            | Wheels, number front/back (x=driven)                |       |        | 1x+2/ 2 or 4           |         |
|                          | 3.6            | Tread width, front                                  | b10   | mm     | 464                    |         |
|                          | 3.7            | Tread width, rear                                   | b11   | mm     | 368                    |         |
| Basic dimensions         | 4.4            | Lift (h3)   | h3    | mm     | 122                    |         |
|                          | 4.9            | Height of tiller handle in drive position min./max. | h14   | mm     | 1240 / 1400            |         |
|                          | 4.15           | Height, lowered                                     | h13   | mm     | 85                     |         |
|                          | 4.19           | total length  | l1    | mm     | 1832                   |         |
|                          | 4.20           | Length including fork shank                         | l2    | mm     | 682                    |         |
|                          | 4.21.1         | total width   | b1    | mm     | 700                    |         |
|                          | 4.22           | Fork dimensions                                     | s/e/l | mm     | 55 x 162 x 1150        |         |
|                          | 4.25           | Width across forks                                  | b5    | mm     | 530                    |         |
|                          | 4.32           | Ground clearance centre of wheelbase                | m2    | mm     | 30                     |         |
|                          | 4.34.1         | Aisle width (pallet 1000x1200 sideways)             | Ast   | mm     | 2476                   |         |
|                          | 4.34.2         | Aisle width (pallet 800x1200 length)                | Ast   | mm     | 2364                   |         |
| 4.35                     | Turning radius | Wa  | mm    | 1670   |                        |         |
| Performance data         | 5.1            | Travel speed laden/unladen                          |       | km/h   | 8.5 / 8.5              | 8 / 8.5 |
|                          | 5.2            | Lift speed laden/unladen                            |       | m/s    | 0.05 / 0.07            |         |
|                          | 5.3            | Lowering speed laden/unladen                        |       | m/s    | 0.06 / 0.05            |         |
|                          | 5.7            | Gradeability laden/unladen                          |       | %      | 8 / 16                 |         |
|                          | 5.10           | Service brake                                       |       |        | generative             |         |
| E-motor/Electronics      | 6.1            | Drive motor, performance S2 60 min                  |       | kW     | 1.6                    |         |
|                          | 6.2            | Lift motor, performance with S3                     |       | kW     | 2.2                    |         |
|                          | 6.3            | Battery according to DIN 43531/35/36                |       |        | B                      |         |
|                          | 6.4            | Battery voltage/nominal capacity                    |       | V / Ah | 24 / 250               |         |
|                          | 6.5            | Battery weight                                      |       | kg     | 212                    |         |
|                          | 6.6.1          | Energy consumption according to EN cycle            |       | kWh/h  | 0.61                   |         |
|                          | 6.6.2          | CO2 equivalent according to EN ISO 23308            |       | kg/h0  | 0.3                    |         |
| 6.7                      | Throughput     |   | t/h   | 105    | 131                    |         |

|  |      |   |        |    |
|--|------|---|--------|----|
| Other  | 8.1  | Type of drive control                     |        | AC |
|  | 10.7 | Sound pressure level according to EN12053 | dB (A) | 69 |
| <p>- This data sheet according to VDI guideline 2198 only states the technical values of the standard truck. Different tyres, other masts, additional equipment etc. may result in different values.</p> |      |   |        |    |

- VDI no. 1.8: 1.9: 4.34.1: 4.34.2: 4.35: Load section lowered: +55mm
- VDI no. 1.9: 4.19: 4.20: 4.34.1: 4.34.2: 4.35: Battery compartment L (375 Ah): +71mm
- VDI no. 4.34.1: Ast for intrusive stacking (empty pallet place): -366mm
- VDI no. 4.34.2: Ast for intrusive stacking (empty pallet place): -204mm
- VDI no. 4.19 for rear entry: 2319mm, for L shape: 2365 mm
- VDI no. 4.20 for rear entry: 1172mm, for L shape: 1218 mm
- VDI no. 4.34.1 for rear entry: 2942 mm, for L shape: 2988 mm
- VDI no. 4.34.2 for rear entry: 2830 mm, for L shape: 2876 mm
- VDI no. 4.35 for rear entry: 2136 mm, for L shape: 2182 mm

The German production facilities in  
Norderstedt, Moosburg and Landsberg are  
certified as well as our Genuine Parts  
Center in Kaltenkirchen.

ISO 9001  
ISO 14001

Jungheinrich fork lift trucks meet European  
safety requirements.



 **JUNGHEINRICH**

The Jungheinrich logo, featuring a red upward-pointing arrow above the word 'JUNGHEINRICH' in a bold, black, sans-serif font.