



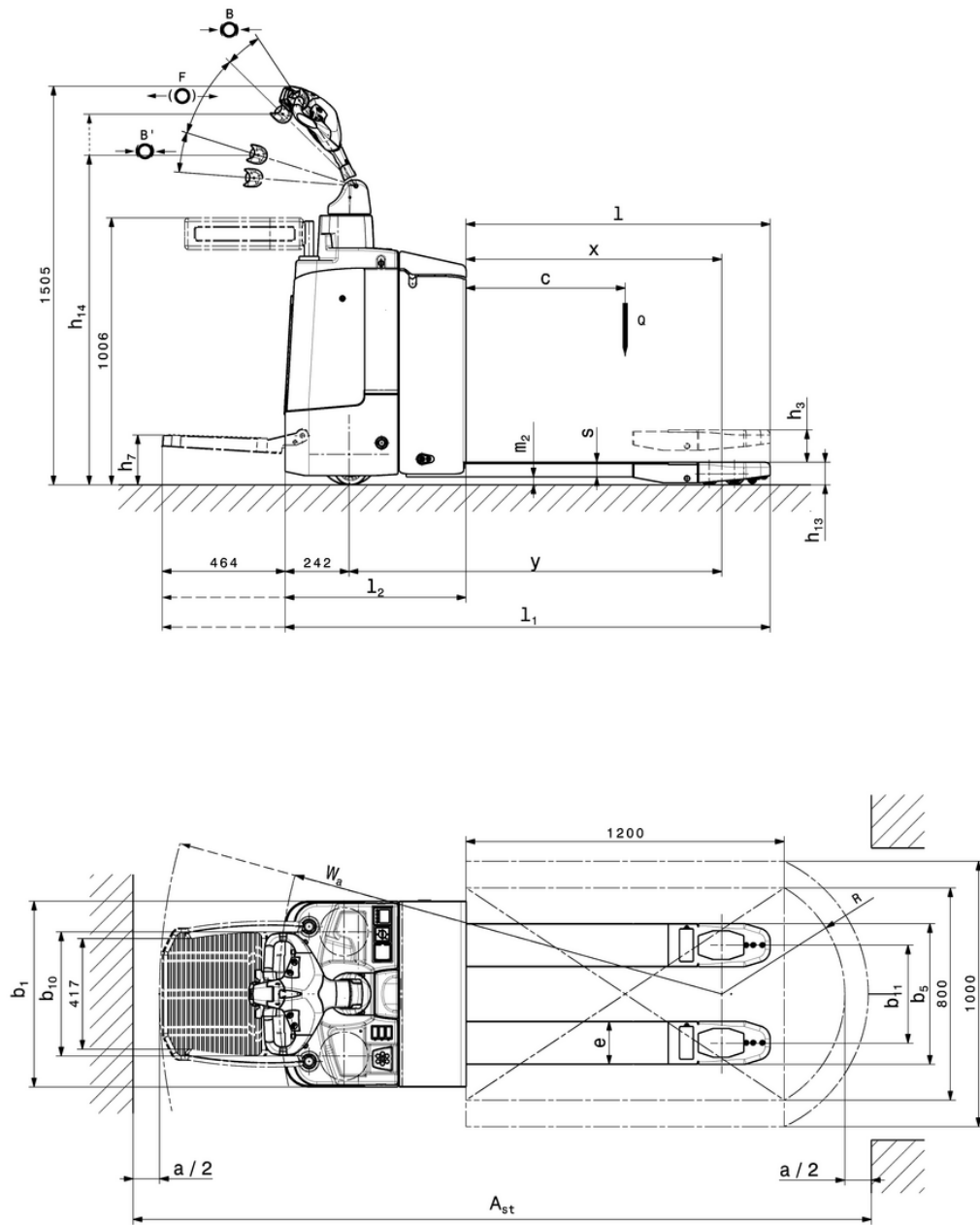
Electric ride-on/pedestrian pallet truck

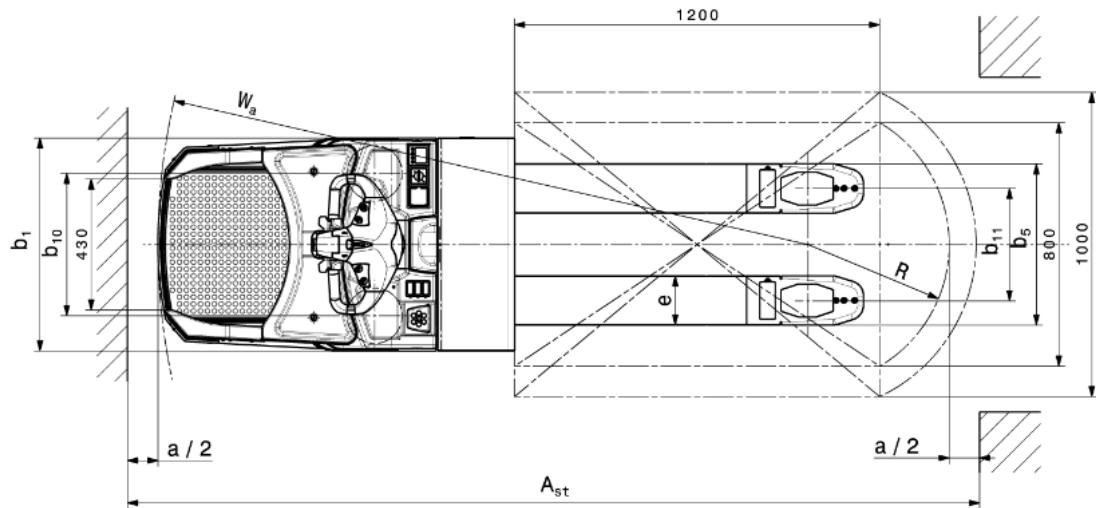
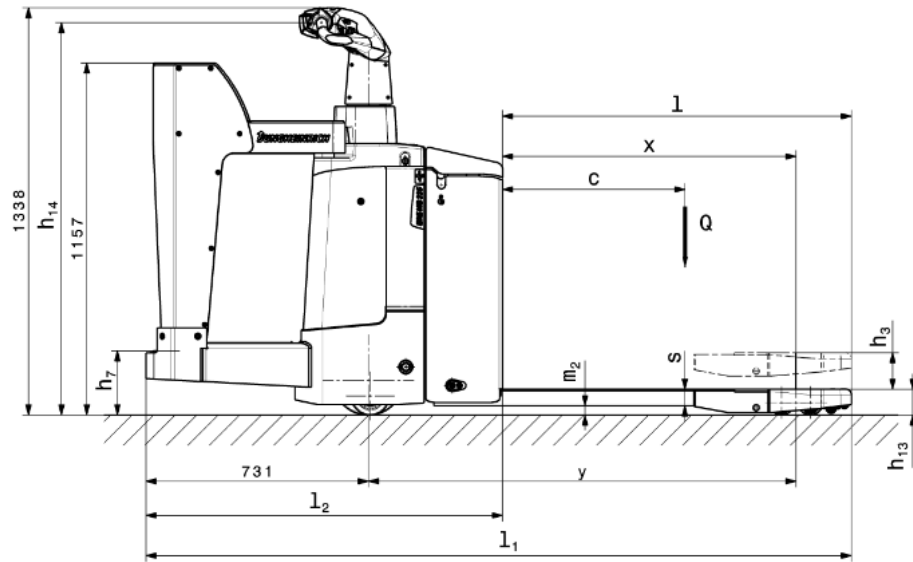
ERE MB 220 + 225

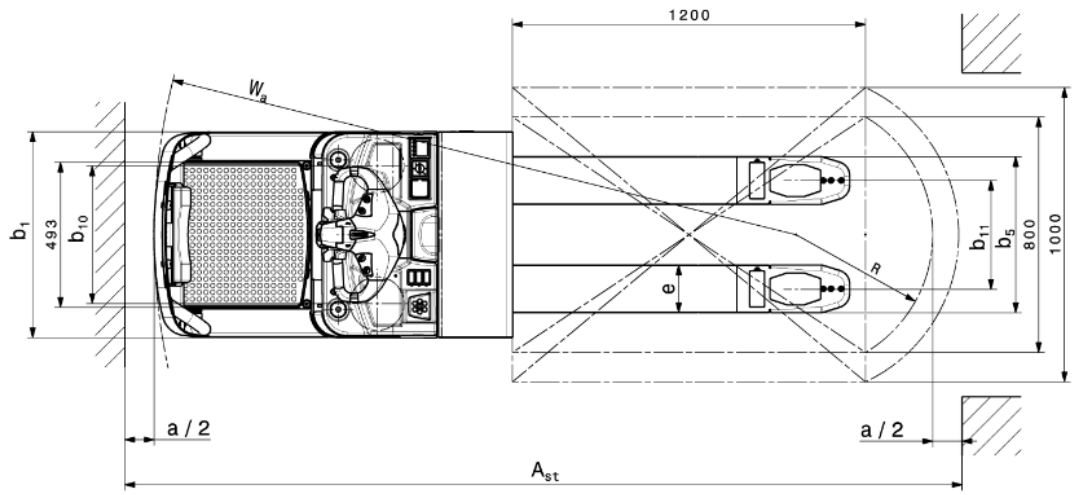
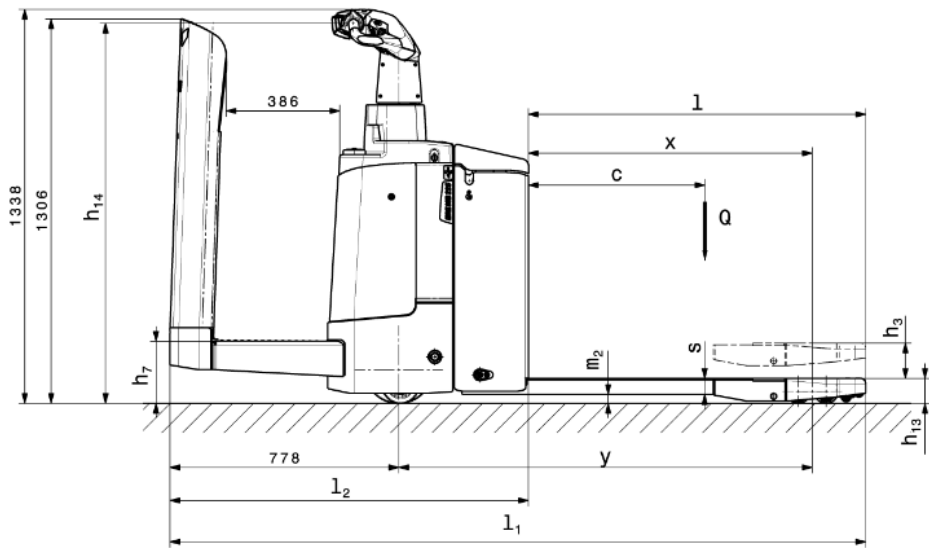
Lift height: 122 mm / Load capacity: 2000-2500 kg



ERE MB 220 + 225







VDI table

Characteristic	1.1	Manufacturer (abbreviated description)			Jungheinrich	
	1.3	Drive			Electric	
	1.4	Operation			Stand-on/pedestrian	
	1.5	Load capacity/load	Q	kg	2000	2500
	1.6	Load centre distance	c	mm	600	
	1.8	Load distance, centre of drive axle to fork	x	mm	910	
	1.9	Wheelbase	y	mm	1405	
Weights	2.1.1	Service weight (incl. battery)		kg	817	
	2.2	Axle load laden front/rear		kg	1173 / 2147	
	2.3	Axle load unladen front/rear		kg	675 / 142	
Wheels/suspension system	3.1	Tyres			Polyurethane (PU)	
	3.2	Tyre size, front			Ø 230 x 70	
	3.3	Tyre size, rear			Ø 85 x 100 / Ø 82 x 70	
	3.4	Additional wheels			Ø 125 x 54	
	3.5	Wheels, number front/back (x=driven)			1x+2/ 2 or 4	
	3.6	Tread width, front	b10	mm	464	
	3.7	Tread width, rear	b11	mm	368	
Basic dimensions	4.4	Lift (h3)	h3	mm	122	
	4.9	Height of tiller handle in drive position min./max.	h14	mm	1240 / 1400	
	4.15	Height, lowered	h13	mm	85	
	4.19	total length	l1	mm	1832	
	4.20	Length including fork shank	l2	mm	682	
	4.21.1	total width	b1	mm	700	
	4.22	Fork dimensions	s/e/l	mm	55 x 162 x 1150	
	4.25	Width across forks	b5	mm	530	
	4.32	Ground clearance centre of wheelbase	m2	mm	30	
	4.34.1	Aisle width (pallet 1000x1200 sideways)	Ast	mm	2476	
	4.34.2	Aisle width (pallet 800x1200 length)	Ast	mm	2364	
4.35	Turning radius	Wa	mm	1670		
Performance data	5.1	Travel speed laden/unladen		km/h	8.5 / 8.5	8 / 8.5
	5.2	Lift speed laden/unladen		m/s	0.05 / 0.07	
	5.3	Lowering speed laden/unladen		m/s	0.06 / 0.05	
	5.7	Gradeability laden/unladen		%	8 / 16	
	5.10	Service brake			generative	
E-motor/Electronics	6.1	Drive motor, performance S2 60 min		kW	1.6	
	6.2	Lift motor, performance with S3		kW	2.2	
	6.3	Battery according to DIN 43531/35/36			B	
	6.4	Battery voltage/nominal capacity		V / Ah	24 / 250	
	6.5	Battery weight		kg	212	
	6.6.1	Energy consumption according to EN cycle		kWh/h	0.61	
	6.6.2	CO2 equivalent according to EN ISO 23308		kg/h0	0.3	
6.7	Throughput		t/h	105	131	

Other	8.1	Type of drive control		AC
	10.7	Sound pressure level according to EN12053	dB (A)	69
<p>- This data sheet according to VDI guideline 2198 only states the technical values of the standard truck. Different tyres, other masts, additional equipment etc. may result in different values.</p>				

- VDI no. 1.8: 1.9: 4.34.1: 4.34.2: 4.35: Load section lowered: +55mm
- VDI no. 1.9: 4.19: 4.20: 4.34.1: 4.34.2: 4.35: Battery compartment L (375 Ah): +71mm
- VDI no. 4.34.1: Ast for intrusive stacking (empty pallet place): -366mm
- VDI no. 4.34.2: Ast for intrusive stacking (empty pallet place): -204mm
- VDI no. 4.19 for rear entry: 2319mm, for L shape: 2365 mm
- VDI no. 4.20 for rear entry: 1172mm, for L shape: 1218 mm
- VDI no. 4.34.1 for rear entry: 2942 mm, for L shape: 2988 mm
- VDI no. 4.34.2 for rear entry: 2830 mm, for L shape: 2876 mm
- VDI no. 4.35 for rear entry: 2136 mm, for L shape: 2182 mm

The German production facilities in
Norderstedt, Moosburg and Landsberg are
certified as well as our Genuine Parts
Center in Kaltenkirchen.

ISO 9001
ISO 14001

Jungheinrich fork lift trucks meet European
safety requirements.



 **JUNGHEINRICH**

The Jungheinrich logo, featuring a red upward-pointing arrow above the word 'JUNGHEINRICH' in a bold, black, sans-serif font.