

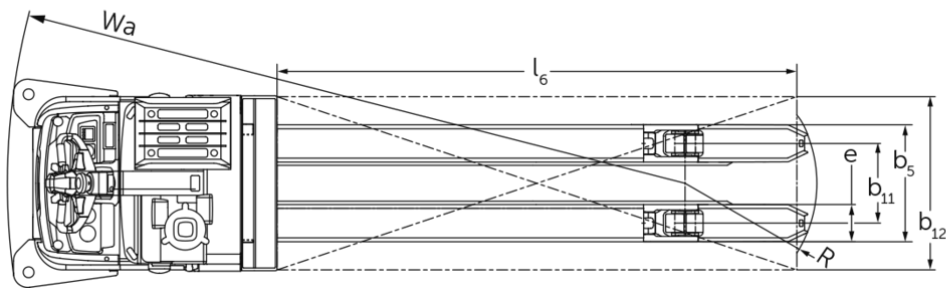
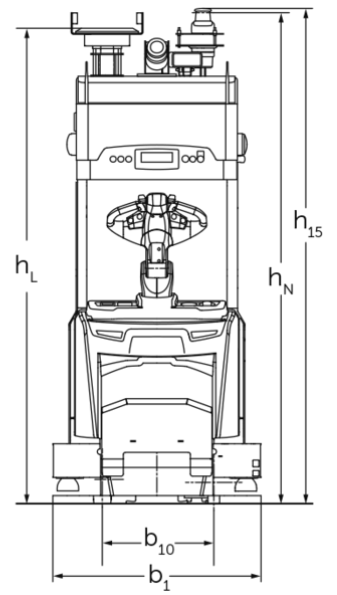
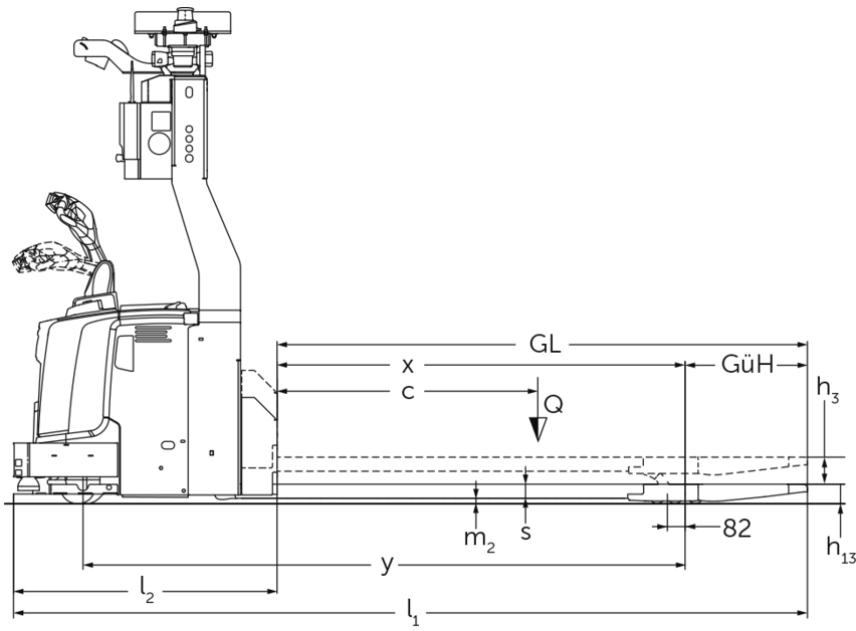


## Mobile robot low-level applications

### ERE 225a

Lift height: 125 mm / Load capacity: 2500 kg

# ERE 225a



## VDI table

Characteristic	1.1	Manufacturer (abbreviated description)			Jungheinrich
	1.2	Manufacturer's type designation			ERE 225a
	1.3	Drive type			electric
	1.4	Operation			Automatic
	1.5	Load capacity/load	Q	kg	2500
	1.6	Load centre distance	c	mm	1200
Weights	2.1.1	Service weight (incl. battery)		kg	1240
	2.2	Axle load laden front/rear		kg	1590 / 2150
	2.3	Axle load unladen front/rear		kg	1020 / 220
Wheels/chassis	3.1	Tyres			Polyurethane (PU)
	3.2	Tyre size, front			230 x 77
	3.3	Tyre size, rear			85 x 85
	3.4	Additional wheels			140 x 54
	3.7	Tread width, rear	b11	mm	368
Basic dimensions	4.2	Retracted mast height (h1)	h1	mm	2230
	4.2.1	Total height	h15	mm	2280
	4.4	Lift (h3)	h3	mm	125
	4.9	Height of tiller handle in drive position min./max.	h14	mm	1158 / 1414
	4.15	Height, lowered	h13	mm	90
	4.19	Total length	l1	mm	3666
	4.20	Length including fork shank	l2	mm	1217
	4.21.1	total width	b1	mm	965
	4.22	Fork dimensions	s/e/l	mm	70 x 187 x 2450
	4.25	Width across forks	b5	mm	540
	4.31	Ground clearance laden under mast	m1	mm	20
	4.32	Ground clearance centre of wheelbase	m2	mm	30
Performance data	5.1	Travel speed laden/unladen		km/h	7.2 / 7.2
	5.10	Service brake			generative
Electric motor/electronics	6.1	Drive motor, performance S2 60 min		kW	2.8
	6.2	Lift motor, performance with S3		kW	1.5
	6.4	Battery voltage/nominal capacity		V / Ah	24 / 375
	6.5	Battery weight		kg	273

Other	8.1	Type of drive control		AC speedCONTROL
	10.7	Sound pressure level according to EN12053	dB (A)	64

- This data sheet according to VDI guideline 2198 only states the technical values of the standard truck. Different tyres, other masts, additional equipment etc. may result in different values.

Jungheinrich

Lift Truck Corp.

2121 West Sam Houston Pkwy. N.  
Houston, TX 77043-2305

The German production facilities in  
Norderstedt, Moosburg and Landsberg are  
certified as well as our Genuine Parts  
Center in Kaltenkirchen.

ISO 9001  
ISO 14001

Jungheinrich fork lift trucks meet European  
safety requirements.



 **JUNGHEINRICH**

The Jungheinrich logo, featuring a red upward-pointing arrow above the word 'JUNGHEINRICH' in a bold, black, sans-serif font.