



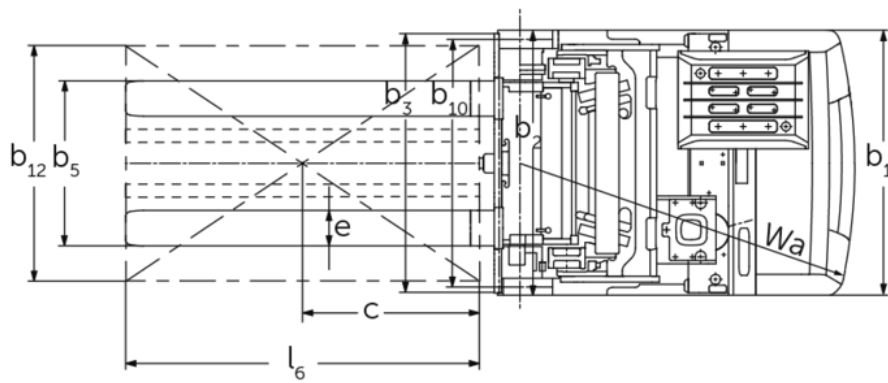
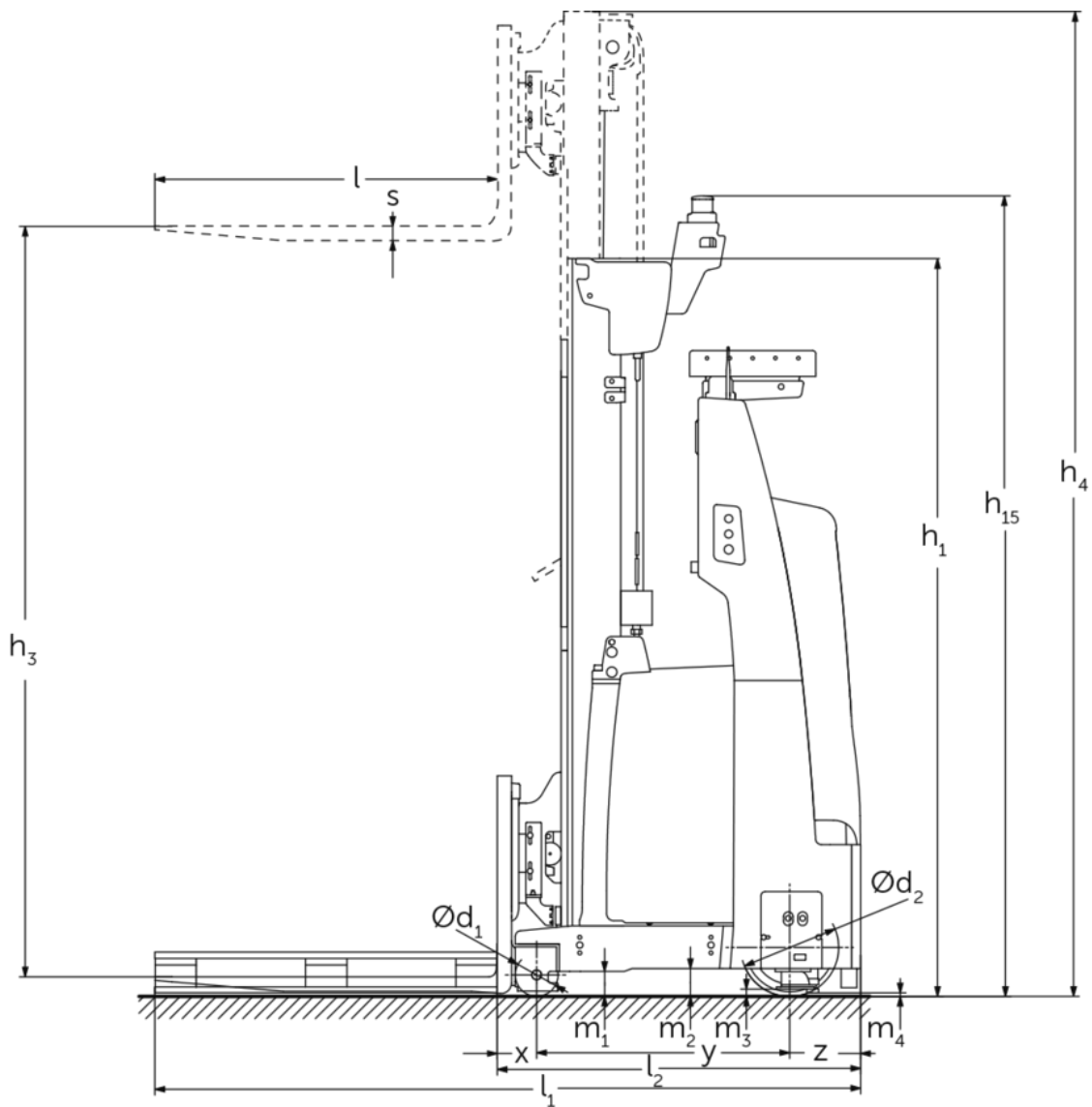
Mobile robot high-stack applications

EKS 215a

Lift height: 2750-6000 mm / Load capacity: 1500 kg



EKS 215a



EKS 215a

EKS 215a	Lift (h3)	Retracted mast height (h1)	Extended mast height (h4)
Duplex mast ZT	2750 mm	2240 mm	3610 mm
	2800 mm	2365 mm	3760 mm
	3500 mm	2590 mm	4335 mm
	4250 mm	2990 mm	5110 mm
	4750 mm	3240 mm	5610 mm
	5000 mm	3370 mm	5865 mm
	5500 mm	3640 mm	6385 mm
	6000 mm	3890 mm	6885 mm
Single mast E	1600 mm	2475 mm	2497 mm

VDI table

Characteristic	1.1	Manufacturer (abbreviated description)		Jungheinrich	
	1.2	Manufacturer's type designation		EKS 215a	
	1.3	Drive type		electric	
	1.4	Operation		Automatic	
	1.5	Load capacity/load	Q	kg	1500
	1.6	Load centre distance	c	mm	600
	1.8	Load distance, centre of drive axle to fork	x	mm	138
	1.9	Wheelbase	y	mm	887
	Weights	2.1.1	Service weight (incl. battery)		kg
2.2		Axle load laden front/rear		kg	4110 / 670
2.3		Axle load unladen front/rear		kg	1360 / 1920
Wheels/chassis	3.1	Tyres			Polyurethane (PU)
	3.2	Tyre size, front			Ø 343 x 114
	3.3	Tyre size, rear			Ø 150 x 135
	3.4	Wheel diameter			Ø 150
	3.5	Wheels, number front/back (x=driven)			2 / 1x
Basic dimensions	4.2	Retracted mast height (h1)	h1	mm	2590
	4.2.1	Total height	h15	mm	2730
	4.4	Lift (h3)	h3	mm	3500
	4.5	Extended mast height (h4)	h4	mm	4335
	4.19	Total length	l1	mm	2492
	4.20	Length including fork shank	l2	mm	1275
	4.21.1	total width	b1	mm	900
	4.22	Fork dimensions	s/e/l	mm	50 x 120 x 1200
	4.25	Width across forks	b5	mm	856
	4.31	Ground clearance laden under mast	m1	mm	87
	4.32	Ground clearance centre of wheelbase	m2	mm	97
	4.34.2	Aisle width (pallet 800x1200 length)	Ast	mm	3300
	Performance data	5.1	Travel speed laden/unladen		km/h
5.2		Lift speed laden/unladen		m/s	0.25 / 0.3
5.3		Lowering speed laden/unladen		m/s	0.3 / 0.25
5.10		Service brake			regenerative
5.11		Parking brake			Electric sprung-loaded
Electric motor/electronics	6.1	Drive motor, performance S2 60 min		kW	6
	6.2	Lift motor, performance with S3		kW	8
	6.3	Battery according to DIN 43531/35/36			5 PzS 775
	6.4	Battery voltage/nominal capacity		V / Ah	24 / 775

Other	8.1	Type of drive control		AC
	10.5	Steering version		electric
	10.7	Sound pressure level according to EN12053	dB (A)	65
- This data sheet according to VDI guideline 2198 only states the technical values of the standard truck. Different tyres, other masts, additional equipment etc. may result in different values.				

See drawing and 4.38 order picking height $h_{15} = h_1 + 140$ mm (laser scanner height).

Under 5.1: speed in load direction – 4.3 km/h in load direction

The German production facilities in
Norderstedt, Moosburg and Landsberg are
certified as well as our Genuine Parts
Center in Kaltenkirchen.

ISO 9001
ISO 14001

Jungheinrich fork lift trucks meet European
safety requirements.



 **JUNGHEINRICH**

The logo features a red upward-pointing arrow integrated into the letter 'J' of the word 'JUNGHEINRICH', which is written in a bold, black, sans-serif font.