



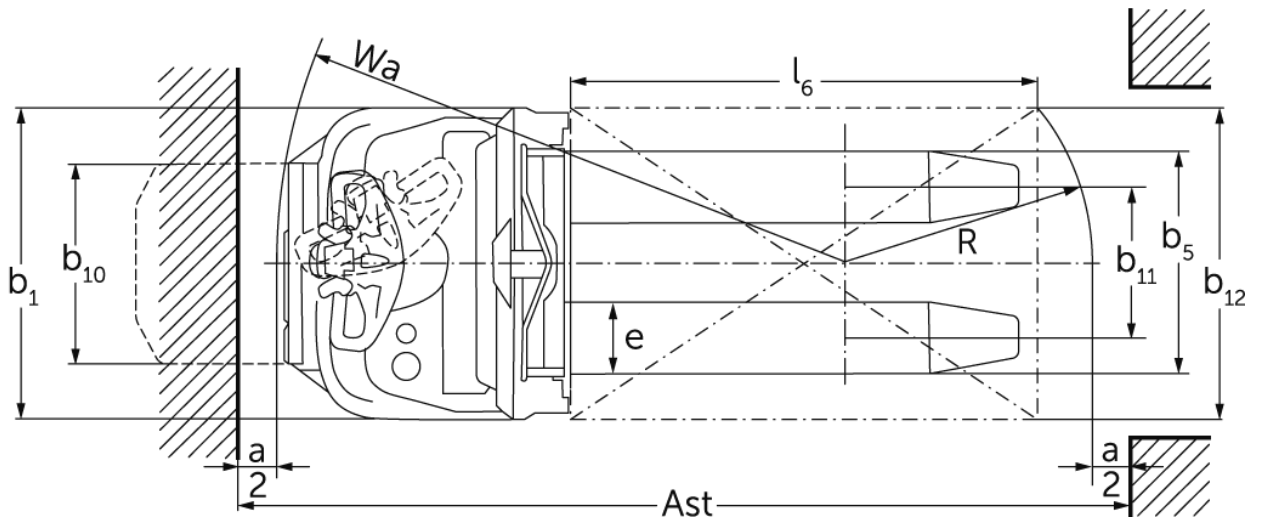
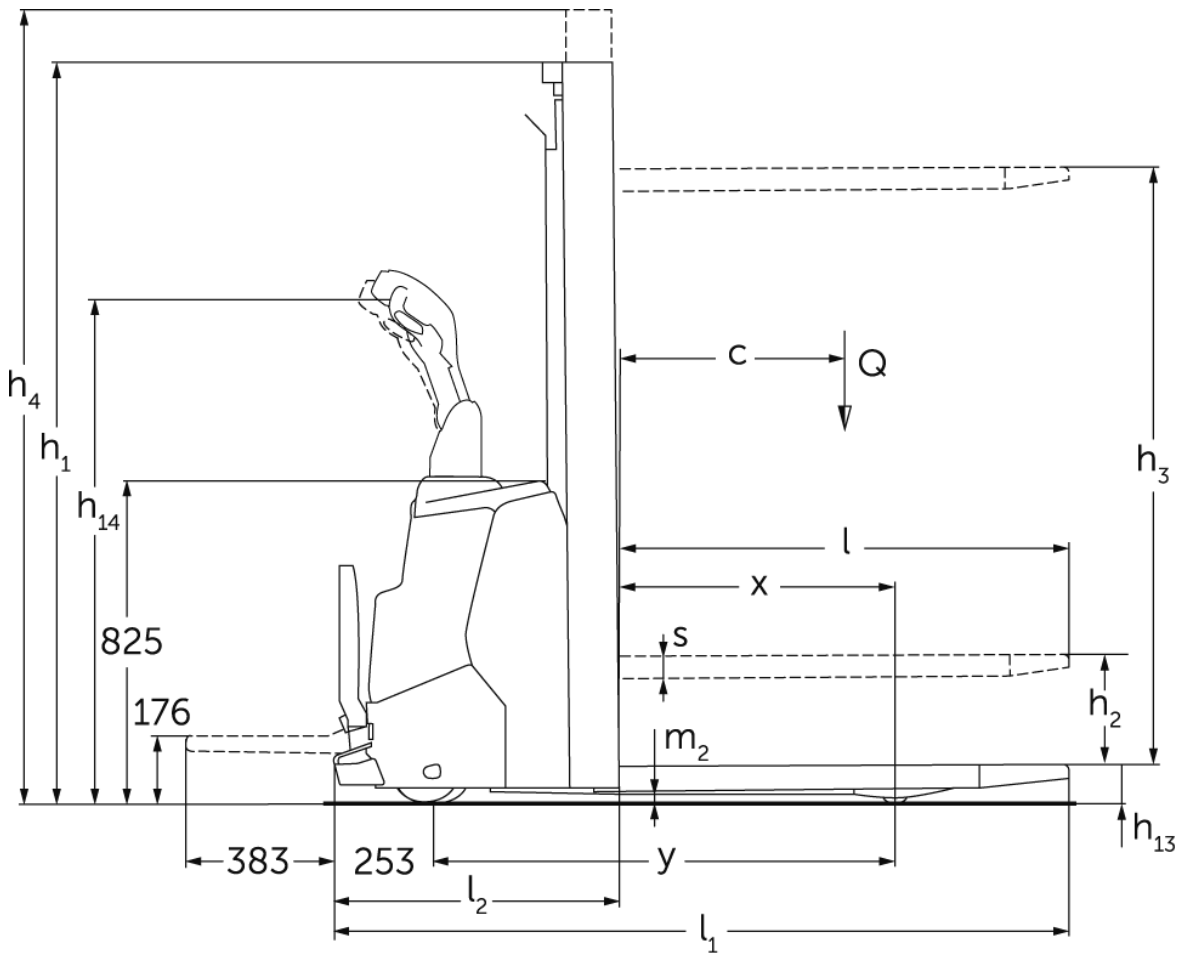
Electric pedestrian stacker

ERC 110i/112i

Lift height: 2300-4700 mm / Load capacity: 1000-1200 kg



ERC 110i/112i



ERC 110i/112i

ERC 110i, ERC 112i		Lift (h3)	Retracted mast height (h1)	Free lift (h2)	Extended mast height (h4)
Duplex mast ZT	2300 mm	1650 mm	100 mm	2775 mm	
	2500 mm	1750 mm	100 mm	2975 mm	
	2700 mm	1850 mm	100 mm	3175 mm	
	2900 mm	1950 mm	100 mm	3375 mm	
	3200 mm	2100 mm	100 mm	3675 mm	
	3600 mm	2300 mm	100 mm	4075 mm	
	3900 mm	2450 mm	100 mm	4375 mm	
Duplex mast ZZ	2300 mm	1600 mm	1125 mm	2775 mm	
	2500 mm	1700 mm	1225 mm	2975 mm	
	2900 mm	1900 mm	1425 mm	3375 mm	
	3200 mm	2050 mm	1575 mm	3675 mm	
	3600 mm	2250 mm	1775 mm	4075 mm	
	3900 mm	2400 mm	1925 mm	4375 mm	
Triplex mast DZ	4090 mm	1845 mm	1338 mm	4597 mm	
	4300 mm	1915 mm	1408 mm	4807 mm	
ERC 112i		Lift (h3)	Retracted mast height (h1)	Free lift (h2)	Extended mast height (h4)
Duplex mast ZT	4100 mm	2550 mm	100 mm	4575 mm	
	4300 mm	2650 mm	100 mm	4775 mm	
Triplex mast DZ	4700 mm	2050 mm	1564 mm	5213 mm	

VDI table

					Jungheinrich	
					ERC 110i	ERC 112i
Characteristic	1.1	Manufacturer (abbreviated description)				
	1.2	Manufacturer's type designation				
	1.3	Drive type			electric	
	1.4	Operation			Pedestrian	
	1.5	Load capacity/load	Q	kg	1000	1200
	1.6	Load centre distance	c	mm	600	
	1.8	Load distance, centre of drive axle to fork	x	mm	707	
	1.9	Wheelbase	y	mm	1191	
	Weights	2.1.1	Service weight (incl. battery)		kg	730
2.2		Axle load laden front/rear		kg	590 / 1140	620 / 1320
2.3		Axle load unladen front/rear		kg	510 / 220	520 / 220
Wheels/chassis	3.1	Tyres			Polyurethane (PU)	
	3.2	Tyre size, front			Ø 230 x 70	
	3.3	Tyre size, rear			Ø 75 x 105 / Ø 75 x 80	
	3.4	Additional wheels			Ø 140 x 54	
	3.5	Wheels, number front/back (x=driven)			1x +1/2	
	3.6	Tread width, front	b10	mm	507	
	3.7	Tread width, rear	b11	mm	405	
Basic dimensions	4.2	Retracted mast height (h1)	h1	mm	1950	
	4.3	Free lift (h2)	h2	mm	100	
	4.4	Lift (h3)	h3	mm	2900	
	4.5	Extended mast height (h4)	h4	mm	3375	
	4.8	Seat height/stand height	h7	mm	176	
	4.9	Height of tiller handle in drive position min./max.	h14	mm	1037 / 1293	
	4.15	Height, lowered	h13	mm	90	
	4.19	Total length	l1	mm	1887	
	4.20	Length including fork shank	l2	mm	737	
	4.21.1	total width	b1	mm	800	
	4.22	Fork dimensions	s/e/l	mm	60 x 178 x 1150	
	4.25	Width across forks	b5	mm	570	
	4.32	Ground clearance centre of wheelbase	m2	mm	30	
	4.34.1	Aisle width (pallet 1000x1200 sideways)	Ast	mm	2106	
4.34.2	Aisle width (pallet 800x1200 length)	Ast	mm	2156		
4.35	Turning radius	Wa	mm	1463		
Performance data	5.1	Travel speed laden/unladen		km/h	6 / 6	
	5.2	Lift speed laden/unladen		m/s	0.15 / 0.27	0.17 / 0.33
	5.3	Lowering speed laden/unladen		m/s	0.34 / 0.34	0.45 / 0.37
	5.8	Max. gradeability laden/unladen		%	6 / 14	
	5.10	Service brake			generative	

Electric motor/electronics	6.1	Drive motor, performance S2 60 min	kW	0.9
	6.2	Lift motor, performance with S3	kW	2.2 2.8
	6.3	Battery according to DIN 43531/35/36		no
	6.4	Battery voltage/nominal capacity	V / Ah	24 / 105
	6.5	Battery weight	kg	45
	6.6.1	Energy consumption according to EN cycle	kWh/h	0.83
	6.6.2	CO2 equivalent according to EN ISO 23308	kg/h0	0.4
	6.7	Throughput	t/h	45
	6.8.1	Energy consumption with max. throughput	kWh/h	1.18
Other	8.1	Type of drive control		AC
	10.7	Sound pressure level according to EN12053	dB (A)	64.6

- This data sheet according to VDI guideline 2198 only states the technical values of the standard truck. Different tyres, other masts, additional equipment etc. may result in different values.

The values in the table apply for the S battery compartment, ZT2900 mast, battery 105 Ah.

- VDI no. 1.8: with DZ mast: x - 40 mm
- VDI no. 4.19: with DZ mast: l1 + 40 mm. Bottom platform: + 383 mm.
- VDI no. 4.20: with DZ mast: l2 + 40 mm. Bottom platform: + 383 mm.
- VDI no. 4.34.1: diagonal as per VDI: aisle width + 225 mm; with DZ mast: aisle width +40 mm; bottom platform: + 383 mm.
- VDI no. 4.34.2: diagonal as per VDI: aisle width + 142 mm; with DZ mast: aisle width +40 mm; bottom platform: + 383 mm.
- VDI no. 4.35: Bottom platform: + 364 mm.
- VDI no. 6.2: ERC 110i: S3 5%; ERC 112i: S3 13%.

The German production facilities in
Norderstedt, Moosburg and Landsberg are
certified as well as our Genuine Parts
Center in Kaltenkirchen.

ISO 9001
ISO 14001

Jungheinrich fork lift trucks meet European
safety requirements.



 **JUNGHEINRICH**

The logo features a red upward-pointing arrow integrated into the letter 'J' of the word 'JUNGHEINRICH', which is written in a bold, black, sans-serif font.