



Electric stand-on and sideways-seated stacker

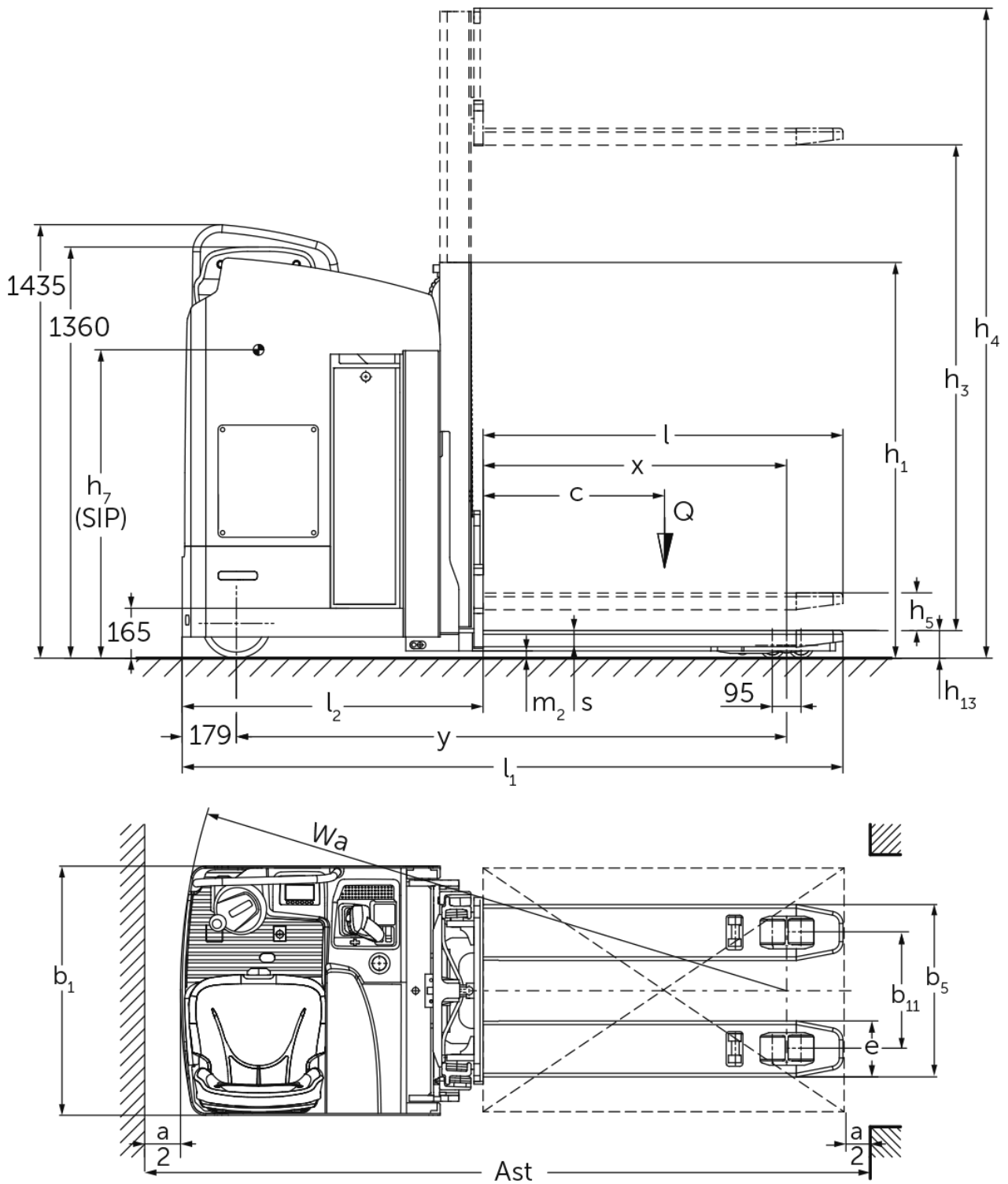
ESD 220

Lift height: 1660 mm / Load capacity: 2000 kg

LI-ION
technology

JUNGHEINRICH

ESD 220



ESD 220

ESD 220	Lift (h3)	Retracted mast height (h1)	Free lift (h2)	Extended mast height (h4)
Duplex mast ZT	1660 mm	1310 mm	100 mm	2150 mm

VDI table

Characteristic	1.1	Manufacturer (abbreviated description)			Jungheinrich
	1.2	Manufacturer's type designation			ESD 220
	1.3	Drive type			electric
	1.4	Operation			Seat
	1.5	Load capacity/load	Q	kg	2000
	1.5.1	Rated capacity/load with mast lift	Q	kg	1000
	1.5.2	Rated capacity/load with support arm lift	Q	kg	2000
	1.6	Load centre distance	c	mm	600
	1.8	Load distance, centre of drive axle to fork	x	mm	1004
	1.9	Wheelbase	y	mm	1820
Weights	2.1.1	Service weight (incl. battery)		kg	1350
	2.2	Axle load laden front/rear		kg	1340 / 2010
	2.3	Axle load unladen front/rear		kg	982 / 368
Wheels/chassis	3.1	Tyres			Polyurethane (PU)
	3.2	Tyre size, front			Ø 230 x 77
	3.3	Tyre size, rear			Ø 85 x 85
	3.4	Additional wheels			Ø 140 x 54
	3.5	Wheels, number front/back (x=driven)			2 + 1x / 4
	3.6	Tread width, front	b10	mm	544
	3.7	Tread width, rear	b11	mm	380
Basic dimensions	4.2	Retracted mast height (h1)	h1	mm	1310
	4.3	Free lift (h2)	h2	mm	100
	4.4	Lift (h3)	h3	mm	1660
	4.5	Extended mast height (h4)	h4	mm	2150
	4.6	Initial lift	h5	mm	110
	4.8	Seat height/stand height	h7	mm	1020
	4.15	Height, lowered	h13	mm	95
	4.19	Total length	l1	mm	2185
	4.20	Length including fork shank	l2	mm	995
	4.21.1	total width	b1	mm	820
	4.22	Fork dimensions	s/e/l	mm	65 x 185 x 1190
	4.25	Width across forks	b5	mm	570
	4.32	Ground clearance centre of wheelbase	m2	mm	25
	4.34.2	Aisle width (pallet 800x1200 length)	Ast	mm	2399
	4.35	Turning radius	Wa	mm	2003
Performance data	5.1	Travel speed laden/unladen		km/h	9.1 / 9.1
	5.2	Lift speed laden/unladen		m/s	0.2 / 0.39
	5.3	Lowering speed laden/unladen		m/s	0.47 / 0.47
	5.8	Max. gradeability laden/unladen		%	8 / 14
	5.10	Service brake			

Electric motor/electronics	6.1	Drive motor, performance S2 60 min	kW	2.8
	6.2	Lift motor, performance with S3	kW	3
	6.3	Battery according to DIN 43531/35/36		no
	6.4	Battery voltage/nominal capacity	V / Ah	24 / 465
	6.5	Battery weight	kg	380
	6.6	Energy consumption according to VDI cycle	kWh/h	0
	6.6.1	Energy consumption according to EN cycle	kWh/h	0.61
	6.6.2	CO2 equivalent according to EN ISO 23308	kg/h0	0.3
Other	8.1	Type of drive control		AC
- This data sheet according to VDI guideline 2198 only states the technical values of the standard truck. Different tyres, other masts, additional equipment etc. may result in different values.				

The values in the table apply for mast ZT 1660, lowered support arm lift.

VDI no. 1.8: raised support arm lift: x - 78 mm.

VDI no. 1.9: raised support arm lift: y - 78 mm.

VDI no. 4.35: raised support arm lift: Wa - 78 mm.

The German production facilities in
Norderstedt, Moosburg and Landsberg are
certified as well as our Genuine Parts
Center in Kaltenkirchen.

ISO 9001
ISO 14001

Jungheinrich fork lift trucks meet European
safety requirements.



 **JUNGHEINRICH**

The Jungheinrich logo, featuring a red upward-pointing arrow above the word 'JUNGHEINRICH' in a bold, black, sans-serif font.