



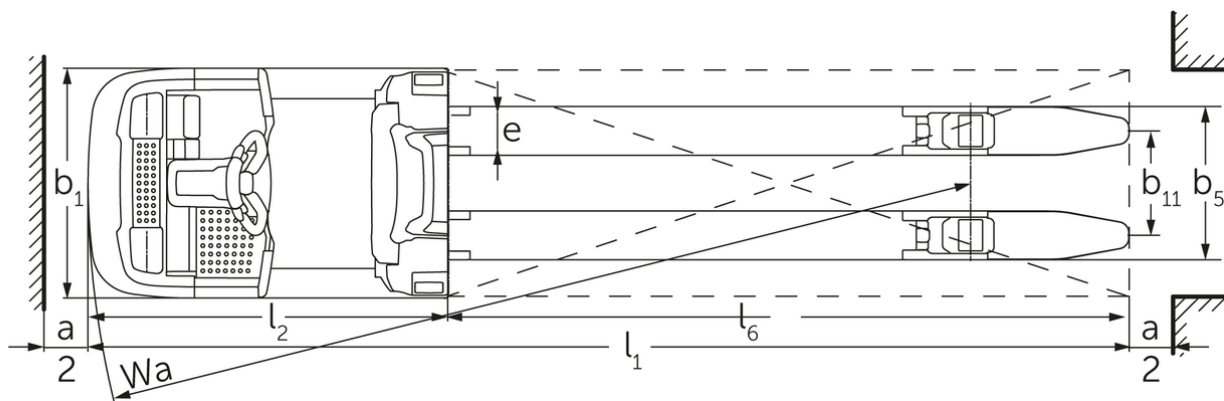
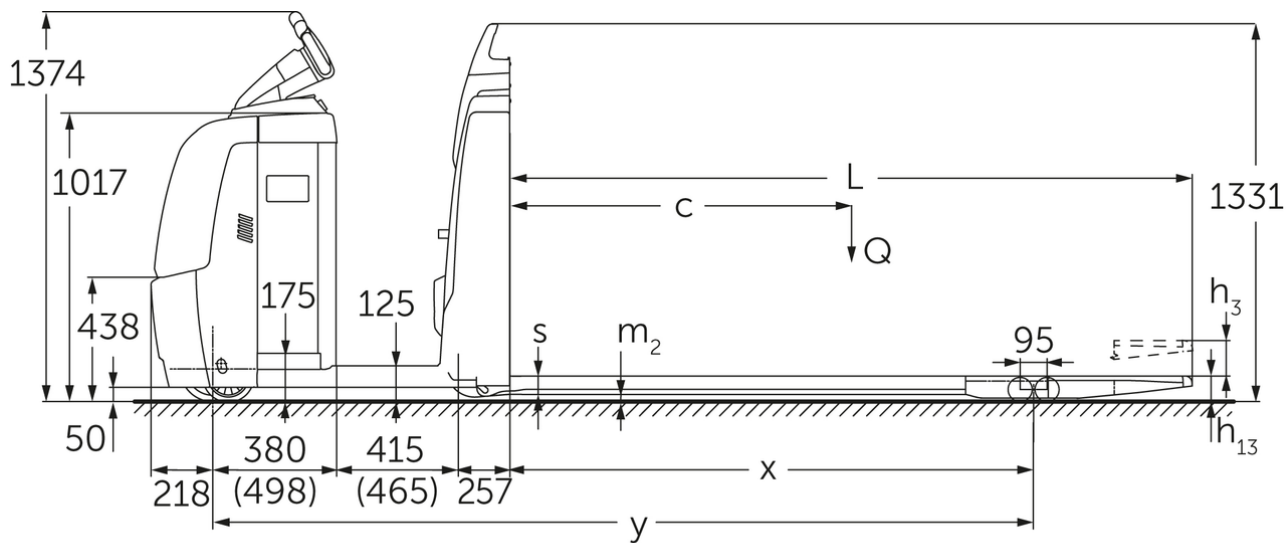
## Low level order pickers

**ECE 225 / 227**

Lift height: 125 mm / Load capacity: 2500-2700 kg



ECE 225 / 227





## VDI table

		Jungheinrich					
		ECE 225	ECE 225 HP	ECE 227			
Characteristic	1.1	Manufacturer (abbreviated description)					
	1.2	Manufacturer's type designation					
	1.3	Drive type	electric				
	1.4	Operation	Order pickers				
	1.5	Load capacity/load	Q	kg	2500	2700	
	1.6	Load centre distance	c	mm	1200		
	1.8	Load distance, centre of drive axle to fork	x	mm	1518		
	1.9	Wheelbase	y	mm	2570	2720	2570
Weights	2.1.1	Service weight (incl. battery)	kg	975	1110	975	
	2.2	Axle load laden front/rear	kg	1130 / 2345	1135 / 2475	1130 / 2345	
	2.3	Axle load unladen front/rear	kg	763 / 212	847 / 263	763 / 212	
Wheels/chassis	3.1	Tyres	Polyurethane (PU)				
	3.2	Tyre size, front	Ø 230 x 78				
	3.3	Tyre size, rear	Ø 85 x 85				
	3.4	Additional wheels	Ø 180 x 65				
	3.5	Wheels, number front/back (x=driven)	1+1x/4				
	3.6	Tread width, front	b10	mm	481		
	3.7	Tread width, rear	b11	mm	338		
	3.7.1	2. Tread width, rear		mm	368		
3.7.2	3. Tread width, rear		mm	498			
Basic dimensions	4.4	Lift (h3)	h3	mm	125		
	4.9	Height of tiller handle in drive position min./max.	h14	mm	1374 / 1418		
	4.14	Stand height, elevated	h12	mm	-	1002	-
	4.15	Height, lowered	h13	mm	90		
	4.19	Total length	l1	mm	3670	3820	3670
	4.20	Length including fork shank	l2	mm	1270	1420	1270
	4.21.1	total width	b1	mm	810		
	4.22	Fork dimensions	s/e/ l	mm	60 x 172 x 2400		
	4.25	Width across forks	b5	mm	510		
	4.32	Ground clearance centre of wheelbase	m2	mm	25		
4.34.2	Aisle width (pallet 800x1200 length)	Ast	mm	3870	4020	3870	
4.35	Turning radius	Wa	mm	2788	2938	2788	
Performance data	5.1	Travel speed laden/unladen (Efficiency   drivePLUS)	km/h	9.2 / 12.5   9.2 / 14			
	5.2	Lift speed laden/unladen	m/s	0.07 / 0.1			
	5.3	Lowering speed laden/unladen	m/s	0.07 / 0.06			
	5.8	Max. gradeability laden/unladen (Efficiency   drivePLUS)	%	6 / 15   6 / 15			
	5.10	Service brake	generative				

Electric motor/electronics	6.1	Drive motor, performance S2 60 min (Efficiency   drivePLUS)	kW	2.8   3.2		
	6.2	Lift motor, performance with S3	kW	1.5		
	6.4	Battery voltage/nominal capacity	V / Ah	24 / 465		
	6.5	Battery weight	kg	370		
	6.6.1	Energy consumption according to EN cycle (Efficiency   PLUS)	kWh/h	0.41   0.47		
	6.6.2	CO2 equivalent according to EN ISO 23308 (Efficiency   PLUS)	kg/h0	0.2   0.3		
	6.7	Throughput (Efficiency   PLUS)	t/h	170   180		
	6.8.1	Energy consumption with max. throughput (Efficiency   PLUS)	kWh/h	1.38   1.41	1.39   1.47	1.38   1.41
Other	8.1	Type of drive control		AC		
	10.5	Steering version		electric		
	10.7	Sound pressure level according to EN12053	dB (A)	62		

- This data sheet according to VDI guideline 2198 only states the technical values of the standard truck. Different tyres, other masts, additional equipment etc. may result in different values.

The values in the table apply to the L battery compartment, drivePLUS performance package, fork length 2,400 mm, raised load section.

- VDI no. 1.8: with lowered load section:  $x + 82$  mm.
- VDI no. 1.9: with XL or XL (ERE) battery compartment:  $y + 118$  mm; with extended stand-on platform:  $y + 50$  mm; with lowered load section:  $y + 82$  mm.
- VDI no. 4.14: ECE HP: h12 see diagram, dimension  $840$  mm +  $162$  mm =  $1,002$  mm.
- VDI no. 4.19: with XL or XL (ERE) battery compartment:  $l1 + 118$  mm; with extended stand-on platform:  $l1 + 50$  mm.
- VDI no. 4.20: with XL or XL (ERE) battery compartment:  $l2 + 118$  mm; with extended stand-on platform:  $l2 + 50$  mm.
- VDI no. 4.34.2: with XL or XL (ERE) battery compartment: aisle width +  $118$  mm; with extended stand-on platform: aisle width +  $50$  mm; diagonal as per VDI: aisle width +  $94$  mm.
- VDI no. 4.35: with XL or XL (ERE) battery compartment:  $Wa + 118$  mm; with extended stand-on platform:  $Wa + 50$  mm; with lowered load section:  $Wa + 82$  mm.
- VDI no. 6.2: with S3 10%.
- VDI no. 6.4: with XL battery compartment:  $24$  V /  $620$  Ah.
- VDI no. 6.5: with XL battery compartment:  $460$  kg.
- VDI no. 6.6.1 for ECE 225 and ECE 225 HP:  $0.45$  kWh/h.

The German production facilities in  
Norderstedt, Moosburg and Landsberg are  
certified as well as our Genuine Parts  
Center in Kaltenkirchen.

ISO 9001  
ISO 14001

Jungheinrich fork lift trucks meet European  
safety requirements.



 **JUNGHEINRICH**

The Jungheinrich logo, featuring a red upward-pointing arrow above the word 'JUNGHEINRICH' in a bold, black, sans-serif font.