



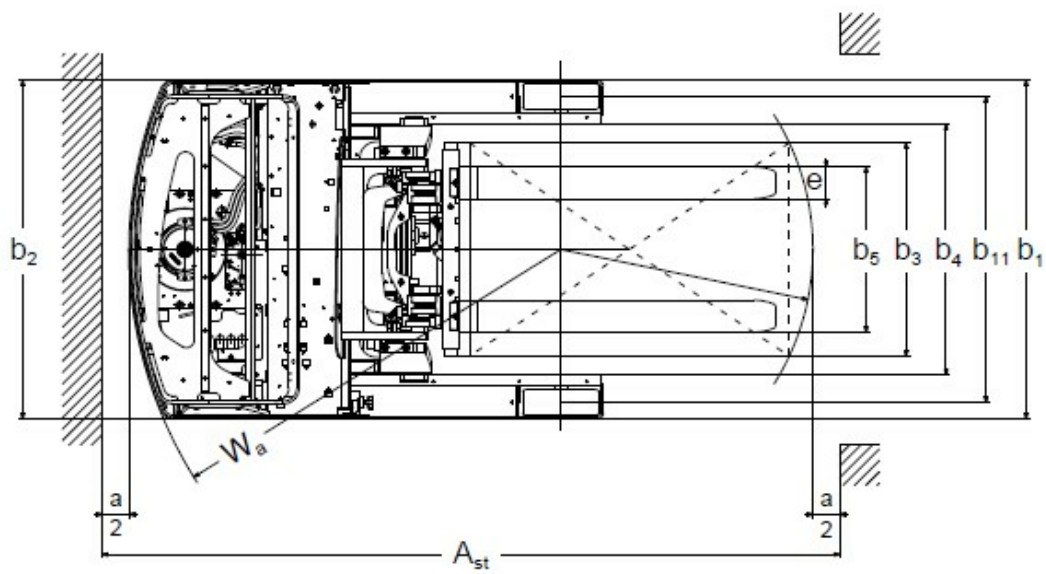
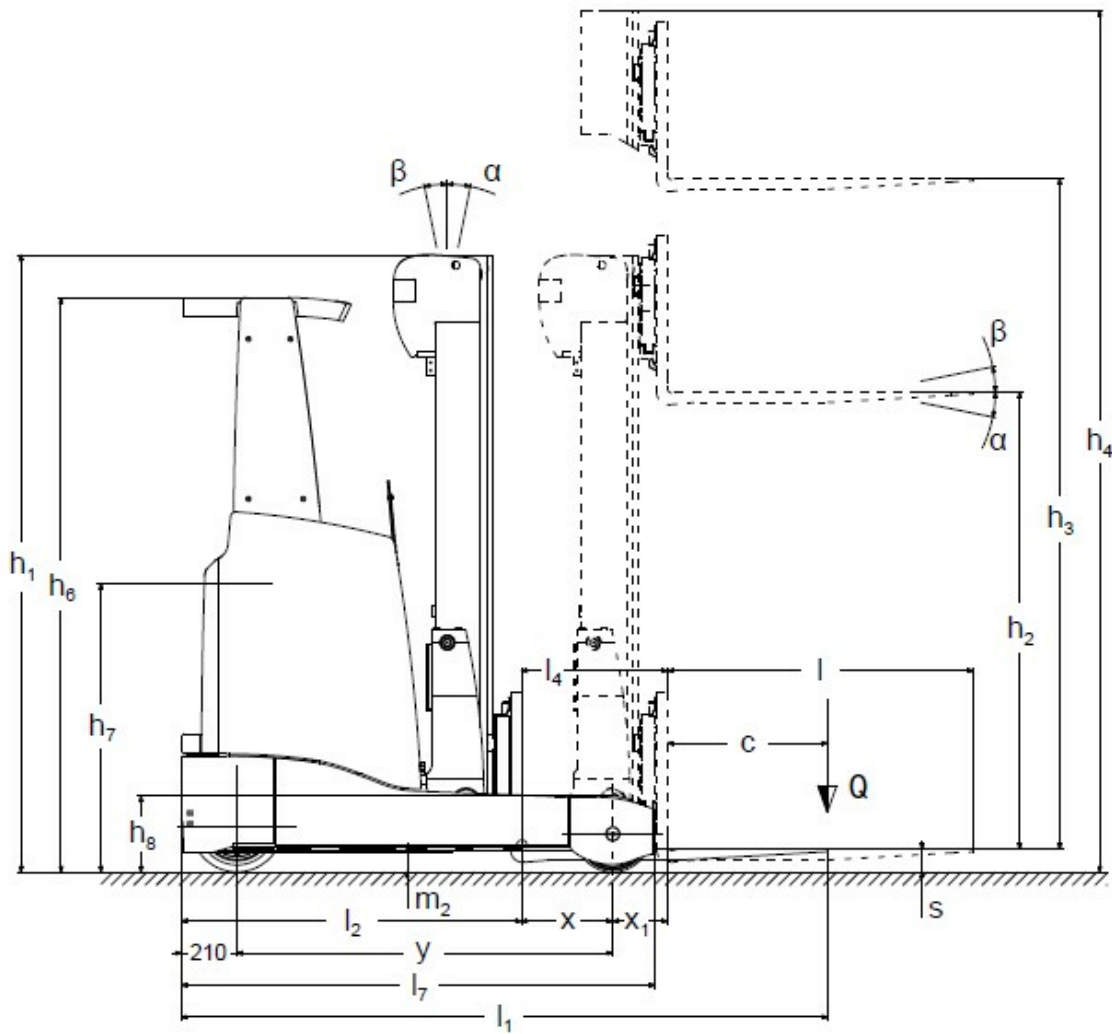
Electric reach truck

ETV MC 320

Lift height: 5000-13000 mm / Load capacity: 2000 kg



ETV MC 320



ETV MC 320

ETV MC 320	Lift (h3)	Retracted mast height (h1)	Free lift (h2)	Extended mast height (h4)	Forward/backward tilt of mast	Forward/backward tilt of fork carriage
Fork tilt / Triplex mast DZ / cold-formed	5000 mm	2300 mm	1560 mm	5740 mm		2 / 5 °
	5300 mm	2400 mm	1660 mm	6040 mm		2 / 5 °
	5900 mm	2600 mm	1860 mm	6640 mm		2 / 5 °
	6200 mm	2700 mm	1960 mm	6940 mm		2 / 5 °
	6500 mm	2800 mm	2060 mm	7240 mm		2 / 5 °
	6800 mm	2900 mm	2160 mm	7540 mm		2 / 5 °
	7100 mm	3000 mm	2260 mm	7840 mm		2 / 5 °
	7700 mm	3200 mm	2460 mm	8440 mm		2 / 5 °
	8420 mm	3440 mm	2700 mm	9160 mm		2 / 5 °
	9020 mm	3640 mm	2900 mm	9760 mm		2 / 5 °
	9110 mm	3670 mm	2930 mm	9850 mm		2 / 5 °
	9620 mm	3840 mm	3100 mm	10360 mm		2 / 5 °
	9950 mm	3950 mm	3210 mm	10690 mm		2 / 5 °
	10220 mm	4040 mm	3300 mm	10950 mm		2 / 5 °
	10520 mm	4140 mm	3400 mm	11260 mm		2 / 5 °
	10700 mm	4200 mm	3460 mm	11440 mm		2 / 5 °
	10880 mm	4260 mm	3520 mm	11620 mm		2 / 5 °
	11120 mm	4340 mm	3600 mm	11860 mm		2 / 5 °
	11510 mm	4470 mm	3730 mm	12250 mm		2 / 5 °
	12020 mm	4710 mm	3970 mm	12760 mm		2 / 5 °
12530 mm	4880 mm	4140 mm	13270 mm		2 / 5 °	
13000 mm	5036 mm	4296 mm	13738 mm		2 / 5 °	
Mast tilt / Triplex mast DZ / cold-formed	5000 mm	2300 mm	1560 mm	5740 mm	1 / 5 °	
	5300 mm	2400 mm	1660 mm	6040 mm	1 / 5 °	
	5900 mm	2600 mm	1860 mm	6640 mm	1 / 3 °	
	6200 mm	2700 mm	1960 mm	6940 mm	1 / 3 °	

	6500 mm	2800 mm	2060 mm	7240 mm	0.5 / 2 °
	6800 mm	2900 mm	2160 mm	7540 mm	0.5 / 2 °
	7100 mm	3000 mm	2260 mm	7840 mm	0.5 / 2 °
	7700 mm	3200 mm	2460 mm	8440 mm	0.5 / 1 °
	8420 mm	3440 mm	2700 mm	9160 mm	0.5 / 1 °
	9020 mm	3640 mm	2900 mm	9760 mm	0.5 / 1 °

VDI table

Characteristic	1.1	Manufacturer (abbreviated description)			Jungheinrich
	1.2	Manufacturer's type designation			ETV MC 320
	1.3	Drive type			electric
	1.4	Operation			Sideways-seated
	1.5	Load capacity/load	Q	kg	2000
	1.6	Load centre distance	c	mm	600
	1.8	Load distance, centre of drive axle to fork	x	mm	463
	1.8.1	Load distance, centre of drive axle to fork, mast extended		mm	205
	1.9	Wheelbase	y	mm	1560
Weights	2.1.1	Service weight (incl. battery)		kg	3522
	2.3	Axle load unladen front/rear		kg	2204 / 1318
	2.4	Axle load fork forward laden front/rear		kg	610 / 4912
	2.5	Axle load fork back laden front/rear		kg	2015 / 3507
Wheels/chassis	3.1	Tyres			Polyurethane (PU)
	3.2	Tyre size, front			Ø 343 x 114
	3.3	Tyre size, rear			Ø 285 x 100
	3.5	Wheels, number front/back (x=driven)			1x / 2
	3.7	Tread width, rear	b11	mm	1136
Basic dimensions	4.1	Forward/backward tilt of mast	a/β	°	1 / 5
	4.2	Retracted mast height (h1)	h1	mm	2400
	4.3	Free lift (h2)	h2	mm	1800
	4.4	Lift (h3)	h3	mm	5300
	4.5	Extended mast height (h4)	h4	mm	6040
	4.7	Height of overhead guard (cab)	h6	mm	2154
	4.8	Seat height/stand height	h7	mm	1068
	4.10	Height of support arms	h8	mm	285
	4.19	Total length	l1	mm	2457
	4.20	Length including fork shank	l2	mm	1307
	4.21.1	total width	b1	mm	1270
	4.21.2	total width	b2	mm	1270
	4.22	Fork dimensions	s/e/l	mm	40 x 120 x 1150
	4.23	Fork carriage connection class			2B
	4.24	Fork carriage width	b3	mm	800
	4.25	Width across forks	b5	mm	335
	4.26	Width between support arms/loading areas	b4	mm	940
	4.28	Reach distance		mm	662
	4.32	Ground clearance centre of wheelbase	m2	mm	80
	4.34.1	Aisle width (pallet 1000x1200 sideways)	Ast	mm	2775
4.34.2	Aisle width (pallet 800x1200 length)	Ast	mm	2809	
4.35	Turning radius	Wa	mm	1770	
4.37	Length over the support arms	L7	mm	1930	

Performance data	5.1	Travel speed laden/unladen (Efficiency drivePLUS)	km/h	11 / 11 14 / 14	
	5.2	Lift speed laden/unladen (Efficiency liftPLUS)	m/s	0.3 / 0.6 0.42 / 0.64	
	5.3	Lowering speed laden/unladen (Efficiency liftPLUS)	m/s	0.55 / 0.5 0.55 / 0.5	
	5.4	Reach speed laden/unladen (Efficiency liftPLUS)	m/s	0.2 / 0.2 0.2 / 0.2	
	5.7	Gradeability laden/unladen (Efficiency drivePLUS)	%	7 / 11 7 / 11	
	5.8	Max. gradeability laden/unladen (Efficiency drivePLUS)	%	10 / 15 10 / 15	
	5.9	Acceleration time laden/unladen (Efficiency drivePLUS)	s	5.6 / 5 4.8 / 4.6	
	5.10	Service brake		electric	
	Electric motor/electronics	6.1	Drive motor, performance S2 60 min (Efficiency drivePLUS)	kW	6 8.5
		6.2	Lift motor, performance with S3 (Efficiency liftPLUS)	kW	13.3 15.5
6.3		Battery according to DIN 43531/35/36		DIN 43531 C	
6.4		Battery voltage/nominal capacity	V / Ah	48 / 620	
6.5		Battery weight	kg	939	
6.6.1		Energy consumption according to EN cycle (Efficiency PLUS)	kWh/h	2.93 3.75	
6.6.2		CO2 equivalent according to EN ISO 23308 (Efficiency PLUS)	kg/h0	1.6 2.1	
6.7		Throughput (Efficiency PLUS)	t/h	78 80	
6.8.1		Energy consumption with max. throughput (Efficiency PLUS)	kWh/h	3.09 4.14	
Other	8.1	Type of drive control		Mosfet/AC	
	10.1	Operating pressure for attachment	bar	230	
	10.2	Oil flow for attachments	l/min	20	
	10.7	Sound pressure level according to EN12053	dB (A)	70	

- This data sheet according to VDI guideline 2198 only states the technical values of the standard truck. Different tyres, other masts, additional equipment etc. may result in different values.

- VDI no. 1.5: ETV MC 320 with lift height h3 > 11.5m, the rated load capacity is 1800kg
- VDI no. 1.8: battery size and mast type affect load distance x
- VDI no. 2.1.1: battery size and mast version affect service weight and axle loads
- VDI no. 2.3: battery size and mast version affect service weight and axle loads
- VDI no. 2.4: battery size and mast version affect service weight and axle loads
- VDI no. 2.5: battery size and mast version affect service weight and axle loads
- VDI no. 4.1: the mast version determines the tilt values
- VDI no. 4.10: the height of the support arms is enlarged by 42 mm with a load support arm cover
- VDI no. 4.19: battery size, mast type and fork length affect the overall length l1
- VDI no. 4.19: total length increased by 20mm with floor stripes option
- VDI no. 4.20: battery size and mast type affect the length including fork shank l2
- VDI no. 4.28: battery size and mast type affect the reach distance l4
- VDI no. 4.34.1: battery size and mast type affect the aisle widths
- VDI no. 4.34.1: AST increased by 20mm with floor stripes option
- VDI no. 4.34.2: battery size and mast type affect the aisle widths
- VDI no. 4.34.2: AST increased by 20mm with floor stripes option
- VDI no. 4.7: height of overhead guard increased by 108mm with floor stripes option
- VDI no. 6.6.1: PLUS refers to the drive&liftPLUS performance package
- VDI no. 6.6.2: PLUS refers to the drive&liftPLUS performance package
- VDI no. 6.7: PLUS refers to the drive&liftPLUS performance package
- VDI no. 6.8.1: PLUS refers to the drive&liftPLUS performance package

The German production facilities in
Norderstedt, Moosburg and Landsberg are
certified as well as our Genuine Parts
Center in Kaltenkirchen.

ISO 9001
ISO 14001

Jungheinrich fork lift trucks meet European
safety requirements.



 **JUNGHEINRICH**

The logo features a red arrow pointing upwards, positioned to the left of the word 'JUNGHEINRICH' which is written in a bold, black, sans-serif font.