



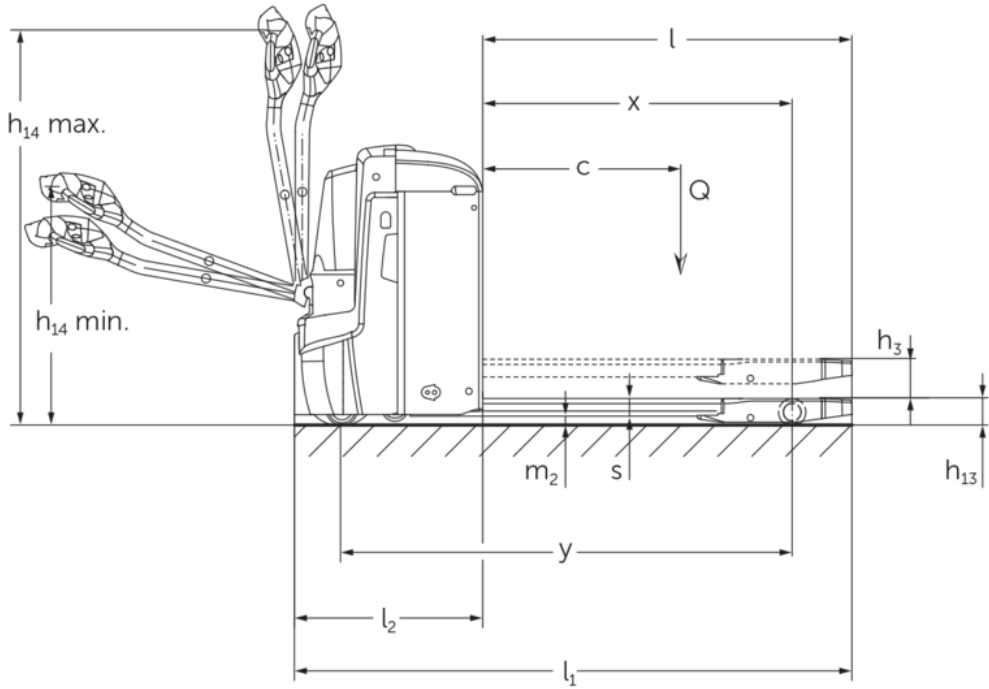
Electric pedestrian pallet truck

EJE 222–235

Lift height: 122 mm / Load capacity: 2200-3500 kg



EJE 222-235



VDI table

		Jungheinrich										
		EJE 222	EJE 225	EJE 230	EJE 235							
Characteristic	1.1	Manufacturer (abbreviated description)										
	1.2	Manufacturer's type designation										
	1.3	Drive type	electric									
	1.4	Operation	Pedestrian									
	1.5	Load capacity/load	Q kg	2200	2500	3000	3500					
	1.6	Load centre distance	c mm	600								
	1.8	Load distance, centre of drive axle to fork	x mm	908		909						
	1.9	Wheelbase	y mm	1351		1352						
	Weights	2.1.1	Service weight (incl. battery)	kg		535		565				
2.2		Axle load laden front/rear	kg		879 / 1870		970 / 2072		1116 / 2449		1230 / 2833	
2.3		Axle load unladen front/rear	kg		408 / 127		430 / 135					
Wheels/chassis	3.1	Tyres			-		Polyurethane (PU)					
	3.2	Tyre size, front			Ø 230 x 70							
	3.3	Tyre size, rear			Ø 85 x 110		Ø 85 x 85					
	3.4	Additional wheels			Ø 100 x 40							
	3.5	Wheels, number front/back (x=driven)			1x +2 / 2		1x +2 / 4					
	3.6	Tread width, front	b10 mm			510						
	3.7	Tread width, rear	b11 mm			363						
Basic dimensions	4.4	Lift (h3)	h3 mm		122							
	4.9	Height of tiller handle in drive position min./max.	h14 mm		750 / 1237							
	4.15	Height, lowered	h13 mm		85							
	4.19	Total length	l1 mm		1737							
	4.20	Length including fork shank	l2 mm		587							
	4.21.1	total width	b1 mm		724							
	4.22	Fork dimensions	s/e/ l mm		55 x 172 x 1150							
	4.25	Width across forks	b5 mm		535							
	4.32	Ground clearance centre of wheelbase	m2 mm		30							
	4.34.1	Aisle width (pallet 1000x1200 sideways)	Ast mm		2338							
4.34.2	Aisle width (pallet 800x1200 length)	Ast mm		2227								
4.35	Turning radius	Wa mm		1532								
Performance data	5.1	Travel speed laden/unladen	km/h		6 / 6		4 / 6					
	5.2	Lift speed laden/unladen	m/s		0.05 / 0.07		0.04 / 0.07					
	5.3	Lowering speed laden/unladen	m/s		0.05 / 0.04		0.06 / 0.04					
	5.8	Max. gradeability laden/unladen	%		8 / 20		6 / 20		5 / 20			
	5.10	Service brake			generative							

Electric motor/electronics	6.1	Drive motor, performance S2 60 min	kW	1.7			
	6.2	Lift motor, performance with S3	kW	2.2			
	6.3	Battery according to DIN 43531/35/36		B			
	6.4	Battery voltage/nominal capacity	V / Ah	24 / 250			
	6.5	Battery weight	kg	220			
	6.6	Energy consumption according to VDI cycle	kWh/h	0			
	6.6.1	Energy consumption according to EN cycle	kWh/h	0.35	0.37	0.38	0.4
	6.6.2	CO2 equivalent according to EN ISO 23308	kg/h0	0.2			
	6.7	Throughput	t/h	123	148	175	205
6.8.1	Energy consumption with max. throughput	kWh/h	0.77	0.82	0.98	1.14	
Other	8.1	Type of drive control		AC			
	10.7	Sound pressure level according to EN12053	dB (A)	70			

- This data sheet according to VDI guideline 2198 only states the technical values of the standard truck. Different tyres, other masts, additional equipment etc. may result in different values.

- 4.33: lowered load section: + 50 mm
- 1.8: 1.9: 4.35: lowered load section: + 56 mm
- 4.34: lowered load section: + 25 mm
- 1.9: 4.19: 4.19.1: 4.20: 4.33: 4.34: 4.35: with lateral battery exchange: L / M LBE = M + 72 mm; L LBE = M + 125 mm
- 5.1: up to a load of 3 t: max. travel speed = 6 km/h.

The German production facilities in
Norderstedt, Moosburg and Landsberg are
certified as well as our Genuine Parts
Center in Kaltenkirchen.

ISO 9001
ISO 14001

Jungheinrich fork lift trucks meet European
safety requirements.



 **JUNGHEINRICH**

The logo features a red upward-pointing arrow integrated into the letter 'J' of the word 'JUNGHEINRICH', which is written in a bold, black, sans-serif font.