



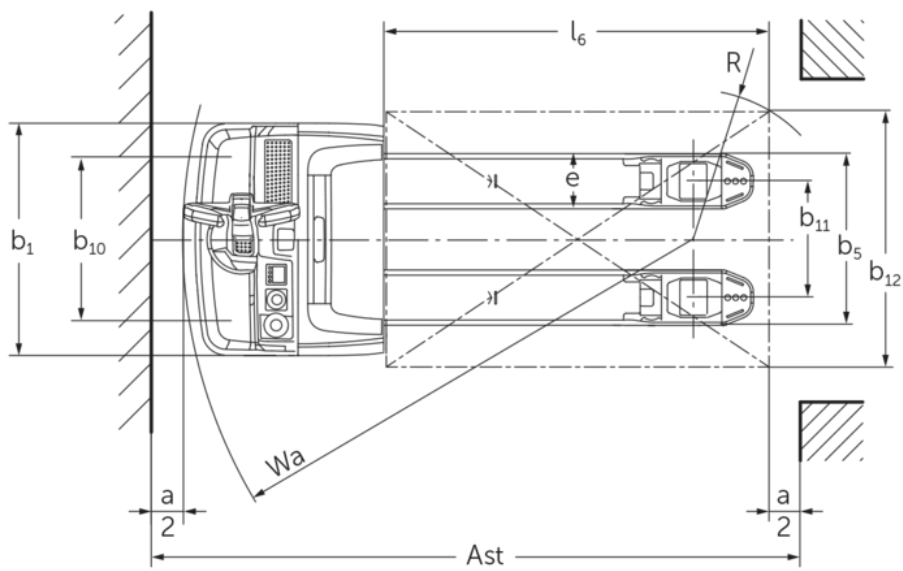
Electric pedestrian pallet truck

EJE 222r + 225r

Lift height: 122 mm / Load capacity: 2200-2500 kg



EJE 222r + 225r





VDI table

| | | | | | Jungheinrich | |
|----------------------------|----------------|---|--------------------------------|--------|-------------------|------------|
| | | | | | EJE 222r | EJE 225r |
| Characteristic | 1.1 | Manufacturer (abbreviated description) | | | | |
| | 1.2 | Manufacturer's type designation | | | | |
| | 1.3 | Drive type | | | electric | |
| | 1.4 | Operation | | | Pedestrian | |
| | 1.5 | Load capacity/load | Q | kg | 2200 | 2500 |
| | 1.6 | Load centre distance | c | mm | 600 | |
| | 1.8 | Load distance, centre of drive axle to fork | x | mm | 908 | |
| | 1.9 | Wheelbase | y | mm | 1351 | |
| | Weights | 2.1.1 | Service weight (incl. battery) | | kg | 560 |
| 2.2 | | Axle load laden front/rear | | kg | 889 / 1885 | 980 / 2087 |
| 2.3 | | Axle load unladen front/rear | | kg | 418 / 142 | |
| Wheels/chassis | 3.1 | Tyres | | | Polyurethane (PU) | |
| | 3.2 | Tyre size, front | | | Ø 230 x 70 | |
| | 3.3 | Tyre size, rear | | | Ø 85 x 110 | |
| | 3.4 | Additional wheels | | | Ø 100 x 40 | |
| | 3.5 | Wheels, number front/back (x=driven) | | | 1x + 2 / 2 | |
| | 3.6 | Tread width, front | b10 | mm | 510 | |
| | 3.7 | Tread width, rear | b11 | mm | 363 | |
| Basic dimensions | 4.4 | Lift (h3) | h3 | mm | 122 | |
| | 4.9 | Height of tiller handle in drive position min./max. | h14 | mm | 750 / 1237 | |
| | 4.15 | Height, lowered | h13 | mm | 85 | |
| | 4.19 | Total length | l1 | mm | 1737 | |
| | 4.20 | Length including fork shank | l2 | mm | 587 | |
| | 4.21.1 | total width | b1 | mm | 724 | |
| | 4.22 | Fork dimensions | s/e/l | mm | 55 x 172 x 1150 | |
| | 4.25 | Width across forks | b5 | mm | 535 | |
| | 4.32 | Ground clearance centre of wheelbase | m2 | mm | 30 | |
| | 4.34.1 | Aisle width (pallet 1000x1200 sideways) | Ast | mm | 2338 | |
| | 4.34.2 | Aisle width (pallet 800x1200 length) | Ast | mm | 2227 | |
| 4.35 | Turning radius | Wa | mm | 1532 | | |
| Performance data | 5.1 | Travel speed laden/unladen | | km/h | 6 / 6 | |
| | 5.2 | Lift speed laden/unladen | | m/s | 0.05 / 0.07 | |
| | 5.3 | Lowering speed laden/unladen | | m/s | 0.05 / 0.04 | |
| | 5.8 | Max. gradeability laden/unladen | | % | 8 / 20 | |
| | 5.10 | Service brake | | | generative | |
| Electric motor/electronics | 6.1 | Drive motor, performance S2 60 min | | kW | 1.7 | |
| | 6.2 | Lift motor, performance with S3 | | kW | 2.2 | |
| | 6.4 | Battery voltage/nominal capacity | | V / Ah | 24 / 250 | |
| | 6.5 | Battery weight | | kg | 220 | |
| | 6.6.1 | Energy consumption according to EN cycle | | kWh/h | 0.35 | 0.37 |
| | 6.6.2 | CO2 equivalent according to EN ISO 23308 | | kg/h0 | 0.2 | |
| | 6.7 | Throughput | | t/h | 123 | 148 |
| | 6.8.1 | Energy consumption with max. throughput | | kWh/h | 0.77 | 0.82 |

| | | | | |
|--|------|---|--------|----|
| Other | 8.1 | Type of drive control | | AC |
| | 10.7 | Sound pressure level according to EN12053 | dB (A) | 70 |
| <p>- This data sheet according to VDI guideline 2198 only states the technical values of the standard truck. Different tyres, other masts, additional equipment etc. may result in different values.</p> | | | | |

- VDI no. 1.8: 1.9: 4.35: lowered load section: + 56 mm
- VDI no. 4.34: lowered load section: + 25 mm
- VDI no. 1.9: 4.19: 4.19.1: 4.20: 4.33: 4.34: 4.35: with lateral battery exchange: M - L / M LBE + 72 mm; L - L LBE + 53 mm

The German production facilities in
Norderstedt, Moosburg and Landsberg are
certified as well as our Genuine Parts
Center in Kaltenkirchen.

ISO 9001
ISO 14001

Jungheinrich fork lift trucks meet European
safety requirements.



 **JUNGHEINRICH**

The Jungheinrich logo, featuring a red upward-pointing arrow above the word 'JUNGHEINRICH' in a bold, black, sans-serif font.