



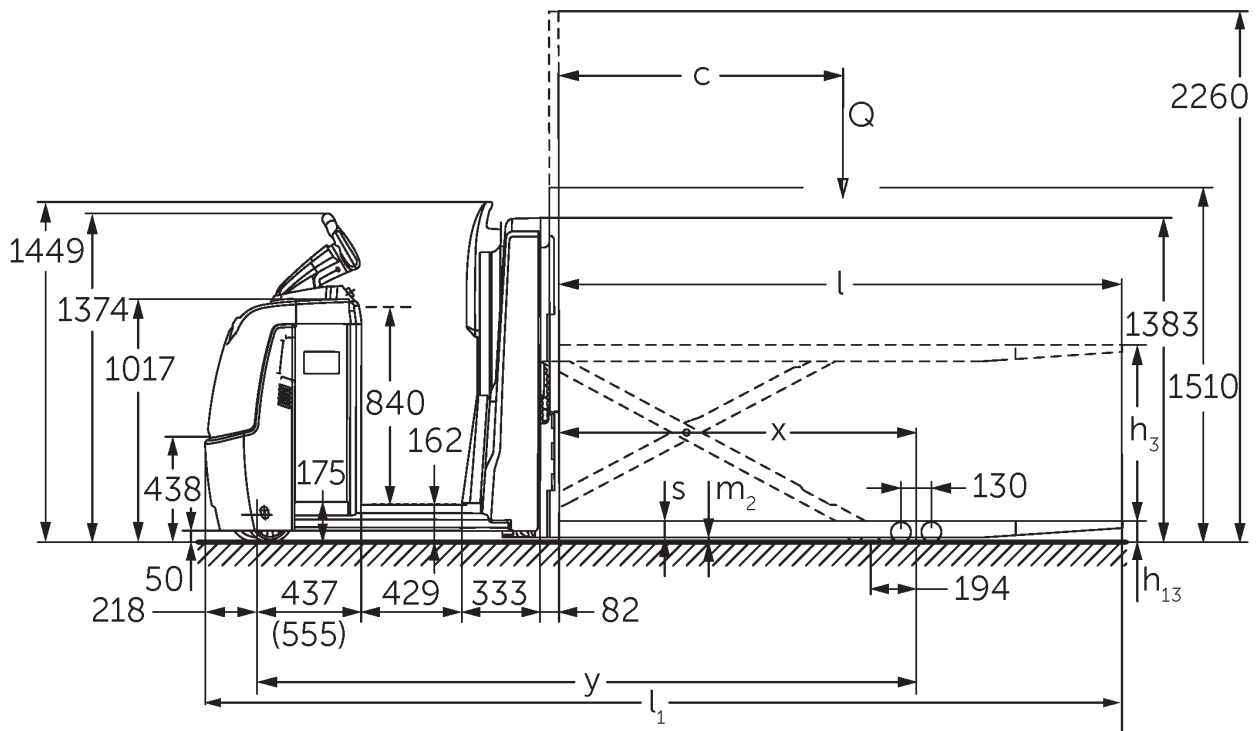
## Low level order pickers

### ECE 320

Lift height: 750 mm / Load capacity: 2000 kg

# ECE 320





## VDI table

			Jungheinrich	
			ECE 320	ECE 320 HP
Characteristic	1.1	Manufacturer (abbreviated description)		
	1.2	Manufacturer's type designation		
	1.3	Drive type		electric
	1.4	Operation		Order pickers
	1.5	Load capacity/load	Q kg	2000
	1.6	Load centre distance	c mm	1200
	1.8	Load distance, centre of drive axle to fork	x mm	1522
	1.9	Wheelbase	y mm	2652   2803
Weights	2.1.1	Service weight (incl. battery)	kg	1300   1490
	2.2	Axle load laden front/rear	kg	1120 / 2180   1240 / 2250
	2.3	Axle load unladen front/rear	kg	900 / 400   1020 / 470
Wheels/chassis	3.1	Tyres		Polyurethane (PU)
	3.2	Tyre size, front		Ø 230 x 78
	3.3	Tyre size, rear		Ø 85 x 85
	3.4	Additional wheels		Ø 180 x 65
	3.5	Wheels, number front/back (x=driven)		1+1x/4
	3.6	Tread width, front	b10 mm	481
	3.7	Tread width, rear	b11 mm	345
	3.7.1	2. Tread width, rear	mm	375
Basic dimensions	4.4	Lift (h3)	h3 mm	750
	4.9	Height of tiller handle in drive position min./max.	h14 mm	1374 / 1418
	4.14	Stand height, elevated	h12 mm	-   1002
	4.15	Height, lowered	h13 mm	90
	4.19	Total length	l1 mm	3747   3897
	4.20	Length including fork shank	l2 mm	1347   1497
	4.21.1	total width	b1 mm	810
	4.22	Fork dimensions	s/e/l mm	70 x 195 x 2400
	4.25	Width across forks	b5 mm	540
	4.32	Ground clearance centre of wheelbase	m2 mm	20
	4.34.2	Aisle width (pallet 800x1200 length)	Ast mm	3947   4097
4.35	Turning radius	Wa mm	2869   3019	
Performance data	5.1	Travel speed laden/unladen (Efficiency   drivePLUS)	km/h	9.5 / 12.5   9.5 / 14
	5.2	Lift speed laden/unladen	m/s	0.09 / 0.16
	5.3	Lowering speed laden/unladen	m/s	0.11 / 0.11
	5.8	Max. gradeability laden/unladen (Efficiency   drivePLUS)	%	6 / 15   6 / 15
	5.10	Service brake		generative
Electric motor/electronics	6.1	Drive motor, performance S2 60 min (Efficiency   drivePLUS)	kW	2.8   3.2
	6.2	Lift motor, performance with S3	kW	1.5
	6.4	Battery voltage/nominal capacity	V / Ah	24 / 465
	6.5	Battery weight	kg	370
	6.6.1	Energy consumption according to EN cycle (Efficiency   PLUS)	kWh/h	0.6   0.63
	6.6.2	CO2 equivalent according to EN ISO 23308 (Efficiency   PLUS)	kg/h0	0.3   0.3
	6.7	Throughput (Efficiency   PLUS)	t/h	102   104   100   102
	6.8.1	Energy consumption with max. throughput (Efficiency   PLUS)	kWh/h	1.52   1.72   1.53   1.72

Other	8.1	Type of drive control		AC
	10.5	Steering version		electric
	10.7	Sound pressure level according to EN12053	dB (A)	62
- This data sheet according to VDI guideline 2198 only states the technical values of the standard truck. Different tyres, other masts, additional equipment etc. may result in different values.				

Values for L battery compartment; standard stand-on platform and fork length 2,400 mm; lowered load section.

- VDI no. 1.8: with raised load section: x - 194 mm.
- VDI no. 1.9: with XL or XL (ERE) battery compartment: y + 118 mm; with extended stand-on platform: y + 50 mm; with lowered load section: y - 194 mm.
- VDI no. 4.14: ECE HP: h12 see diagram, dimension 840 mm + 162 mm = 1,002 mm.
- VDI no. 4.19: with XL or XL (ERE) battery compartment: l1 + 118 mm; with extended stand-on platform: l1 + 50 mm.
- VDI no. 4.20: with XL or XL (ERE) battery compartment: l2 + 118 mm; with extended stand-on platform: l2 + 50 mm.
- VDI no. 4.34.2: with XL or XL (ERE) battery compartment: aisle width + 118 mm; with extended stand-on platform: aisle width + 50 mm; diagonal as per VDI: aisle width + 94 mm.
- VDI no. 4.35: with XL or XL (ERE) battery compartment: Wa + 118 mm; with extended stand-on platform option: Wa + 50 mm; with raised load section: y - 194 mm.
- VDI no. 6.2: with S3 10%.
- VDI no. 6.4: with XL battery compartment: 24 V / 620 Ah.
- VDI no. 6.5: with XL battery compartment: 460 kg.