



Medium/high level order picker

EKS 110

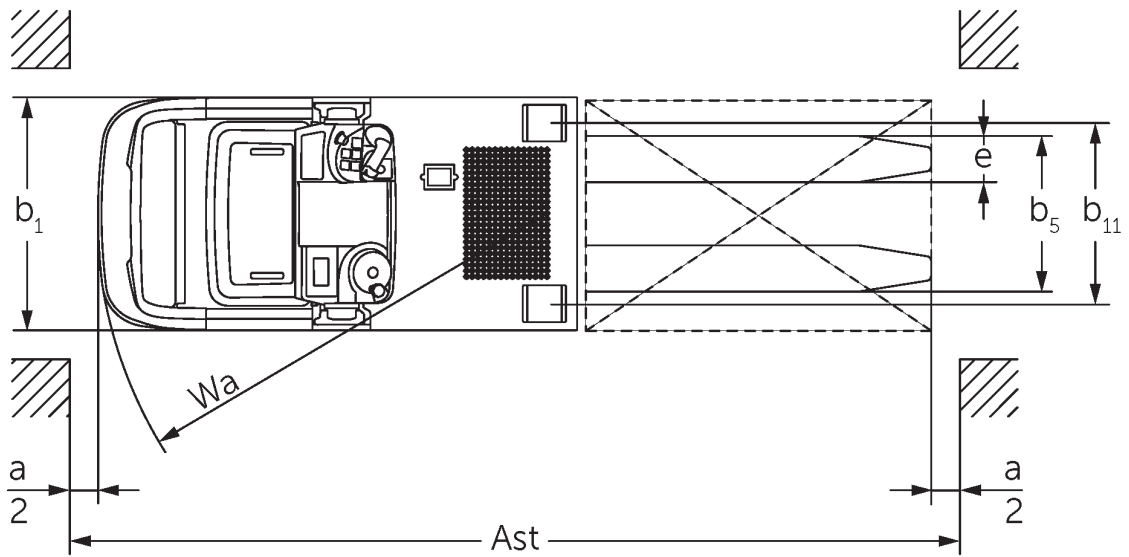
Lift height: 1000-2800 mm / Load capacity: 1000 kg



EKS 110



Figure shows EKS 110 Z 280 ZZ



Picture shows EKS 110 L 100 E

VDI table

Characteristic	1.1		Manufacturer (abbreviated description)		Jungheinrich		
	1.2		Manufacturer's type designation		EKS 110 L 280 ZZ	EKS 110 Z 280 ZZ	
Characteristic	1.3		Drive type		electric		
	1.4		Operation		Order pickers		
	1.5		Q	kg	1000		
	1.6		c	mm	600		
	1.8		x	mm	180	185	
	1.9		y	mm	1385		
	Weights	2.1.1		Service weight (incl. battery)		2268	2390
		2.2		Axle load laden front/rear		762 / 2506	754 / 2636
2.3		Axle load unladen front/rear		1336 / 932	1328 / 1062		
Wheels/chassis	3.1		Tyres		Vulkollan®		
	3.2		Tyre size, front		ø 230 x 80		
	3.3		Tyre size, rear		ø 150 x 130		
	3.5		Wheels, number front/back (x=driven)		1x / 2		
	3.7		b11	mm	720		
Basic dimensions	4.2		Retracted mast height (h1)		2250		
	4.4		Lift (h3)		2800		
	4.5		Extended mast height (h4)		5030		
	4.7		Height of overhead guard (cab)		2230		
	4.8.1		Stand height		200		
	4.11		Additional lift		-	800	
	4.14		Stand height, elevated		3000		
	4.15		Height, lowered		80		
	4.19		l1	mm	2980	2985	
	4.20		l2	mm	1780	1785	
	4.21.1		total width		900		
	4.22		Fork dimensions		60 x 160 x 1200		
	4.25		Width across forks		540		
	4.26		Width between support arms/loading areas		520		
	4.27		Width over guide rollers		1060		
	4.31		Ground clearance laden under mast		35		
	4.34.1		Aisle width (pallet 1000x1200 sideways)		3127		
4.34.2		Aisle width (pallet 800x1200 length)		3240	3245		
4.35		Turning radius		1603			
Performance data	5.1		Travel speed laden/unladen (Efficiency drivePLUS)		9 / 9 9 / 11		
	5.2		Lift speed laden/unladen		0.23 / 0.31		
	5.3		Lowering speed laden/unladen		0.28 / 0.26		
	5.7		Gradeability laden/unladen		5 / 10		
	5.10		Service brake		generative		
	5.11		Parking brake		Electromagnetic spring-loaded brake system		

Electric motor/electronics	6.1	Drive motor, performance S2 60 min	kW	3.2
	6.2	Lift motor, performance with S3	kW	6
	6.3	Battery according to DIN 43531/35/36		DIN 43535 B
	6.4	Battery voltage/nominal capacity	V / Ah	24 / 620
	6.5	Battery weight	kg	480
	6.6.1	Energy consumption according to EN cycle	kWh/h	0.42
Other	8.1	Type of drive control		AC
	10.5	Steering version		Electric power steering
	10.7	Sound pressure level according to EN12053	dB (A)	61

- This data sheet according to VDI guideline 2198 only states the technical values of the standard truck. Different tyres, other masts, additional equipment etc. may result in different values.

- 4.2: L100E with overhead guard 2,230 mm
- 4.5: L100E with overhead guard 3,230 mm
- 4.7: L100E and Z100E overhead guard optional

The German production facilities in
Norderstedt, Moosburg and Landsberg are
certified as well as our Genuine Parts
Center in Kaltenkirchen.

ISO 9001
ISO 14001

Jungheinrich fork lift trucks meet European
safety requirements.



 **JUNGHEINRICH**

The logo features a red upward-pointing arrow integrated into the letter 'J' of the word 'JUNGHEINRICH', which is written in a bold, black, sans-serif font.