



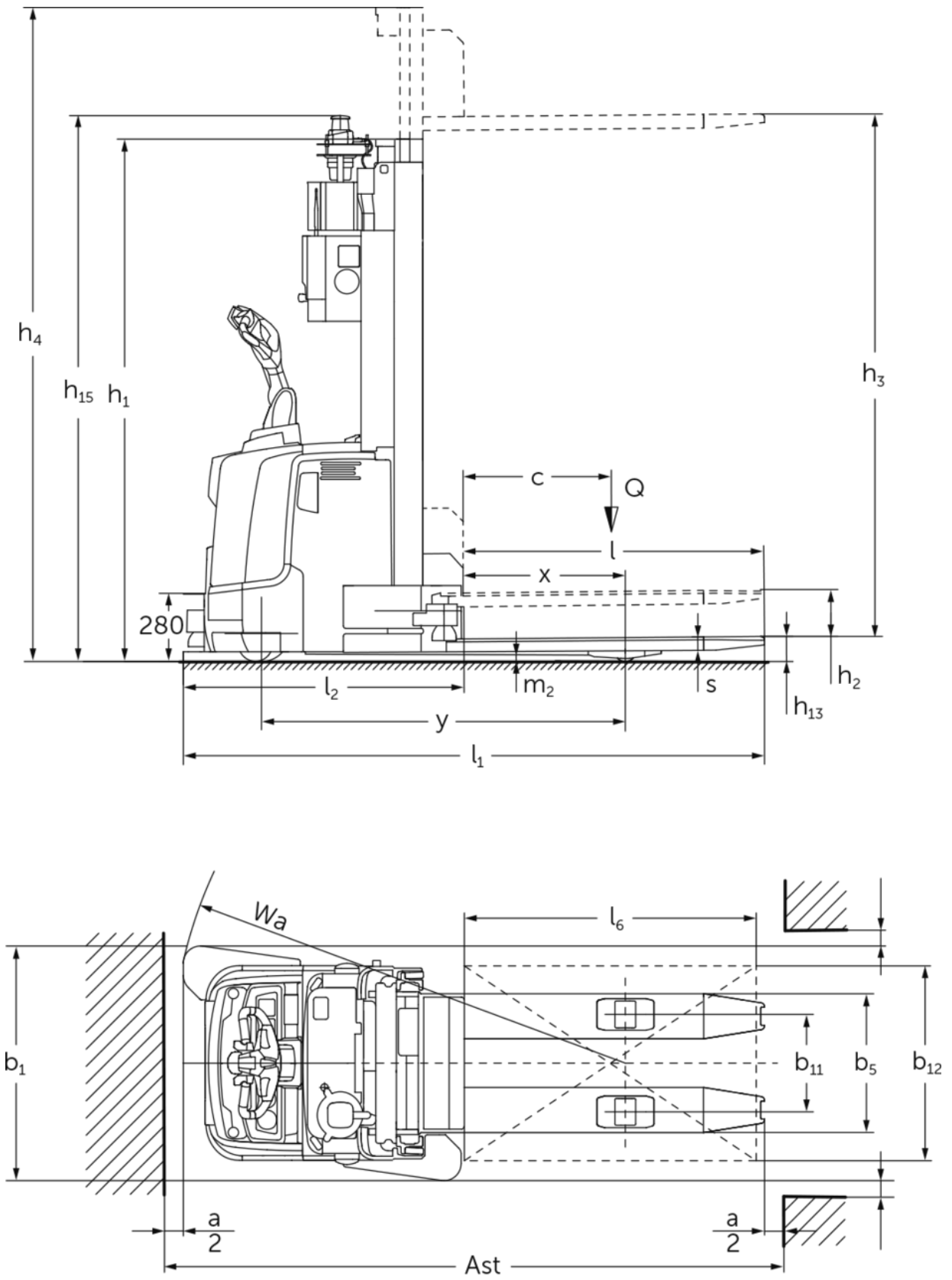
Mobile robot high-stack applications

ERC 213a/217a

Lift height: 3100-4400 mm / Load capacity: 1300-1700 kg



ERC 213a/217a



ERC 213a/217a

ERC 213a	Lift (h3)	Retracted mast height (h1)	Free lift (h2)	Extended mast height (h4)
Duplex mast ZT	3100 mm	2150 mm	200 mm	3625 mm
	3800 mm	2500 mm	200 mm	4325 mm
	4400 mm	2750 mm	200 mm	4925 mm
ERC 217a	Lift (h3)	Retracted mast height (h1)	Free lift (h2)	Extended mast height (h4)
Duplex mast ZT	2840 mm	2150 mm	200 mm	3495 mm
	3540 mm	2500 mm	200 mm	4195 mm

VDI table

			Jungheinrich			
			ERC 213a	ERC 217a		
Characteristic	1.1	Manufacturer (abbreviated description)				
	1.2	Manufacturer's type designation				
	1.3	Drive type	electric			
	1.4	Operation	Automatic			
	1.5	Load capacity/load	Q	kg	1300	1700
	1.6	Load centre distance	c	mm	600	
	1.8	Load distance, centre of drive axle to fork	x	mm	659	
	1.9	Wheelbase	y	mm	1496	
	Weights	2.1.1	Service weight (incl. battery)		kg	1410
2.2		Axle load laden front/rear		kg	1060 / 1650	1080 / 2080
2.3		Axle load unladen front/rear		kg	985 / 425	1000 / 410
Wheels/chassis	3.1	Tyres	Polyurethane (PU)			
	3.2	Tyre size, front	Ø 230 x 77			
	3.3	Tyre size, rear	Ø 85 x 110		Ø 85 x 85	
	3.4	Additional wheels	Ø 140 x 54			
	3.5	Wheels, number front/back (x=driven)	1x + 1 / 2		1x + 1 / 4	
	3.6	Tread width, front	b10	mm	515	
	3.7	Tread width, rear	b11	mm	400	
Basic dimensions	4.2	Retracted mast height (h1)	h1	mm	2075	
	4.2.1	Total height	h15	mm	2285	
	4.4	Lift (h3)	h3	mm	3100	2840
	4.5	Extended mast height (h4)	h4	mm	3650	3520
	4.9	Height of tiller handle in drive position min./max.	h14	mm	1170 / 1390	
	4.15	Height, lowered	h13	mm	90	
	4.19	Total length	l1	mm	2393	
	4.20	Length including fork shank	l2	mm	1158	
	4.21.1	total width	b1	mm	965	
	4.22	Fork dimensions	s/e/l	mm	56 x 185 x 1235	
	4.25	Width across forks	b5	mm	570	
Performance data	4.32	Ground clearance centre of wheelbase	m2	mm	28	20
	5.1	Travel speed laden/unladen		km/h	9 / 9	7 / 7
	5.8	Max. gradeability laden/unladen		%	4 / 4	- / -
	5.10	Service brake			generative	
Electric motor/electronics	6.1	Drive motor, performance S2 60 min		kW	3.2	2.8
	6.2	Lift motor, performance with S3		kW	3	
	6.3	Battery according to DIN 43531/35/36			B 3 PzS	
	6.4	Battery voltage/nominal capacity		V / Ah	24 / 375	
	6.5	Battery weight		kg	273	
	6.6	Energy consumption according to VDI cycle		kWh/h	1.74	-

Other	8.1	Type of drive control		AC speedCONTROL
	10.7	Sound pressure level according to EN12053	dB (A)	64
<p>- This data sheet according to VDI guideline 2198 only states the technical values of the standard truck. Different tyres, other masts, additional equipment etc. may result in different values.</p>				

- 4.2.1: with additional options (such as auto charging, Floor-Spot, detection of raised obstacles) h15 + 100 mm.
- 5.1: in manual operation 3.0 km/h. Travel speeds in load direction: max. 5.4 km/h (1.5 m/s).
- 5.1: for the ERC 213a with Efficiency performance package 7.0 / 7.0 km/h
- 6.1: for the ERC 213a with Efficiency performance package: 2.8 kW

The German production facilities in
Norderstedt, Moosburg and Landsberg are
certified as well as our Genuine Parts
Center in Kaltenkirchen.

ISO 9001
ISO 14001

Jungheinrich fork lift trucks meet European
safety requirements.



 **JUNGHEINRICH**

The logo features a red arrow pointing upwards, positioned to the left of the word 'JUNGHEINRICH' which is written in a bold, black, sans-serif font.